



INSTRUCTIONS

94100522

2024-01-23



DETACHABLE CONVERSION HARDWARE

GENERAL INFORMATION

Table 1. General Information

Kits	Suggested Tools	Skill Level ⁽¹⁾
54000337	Safety Glasses, Torque Wrench, Loctite (red)	

(1) Tightening to torque value or other moderate tools and techniques required

KIT CONTENTS

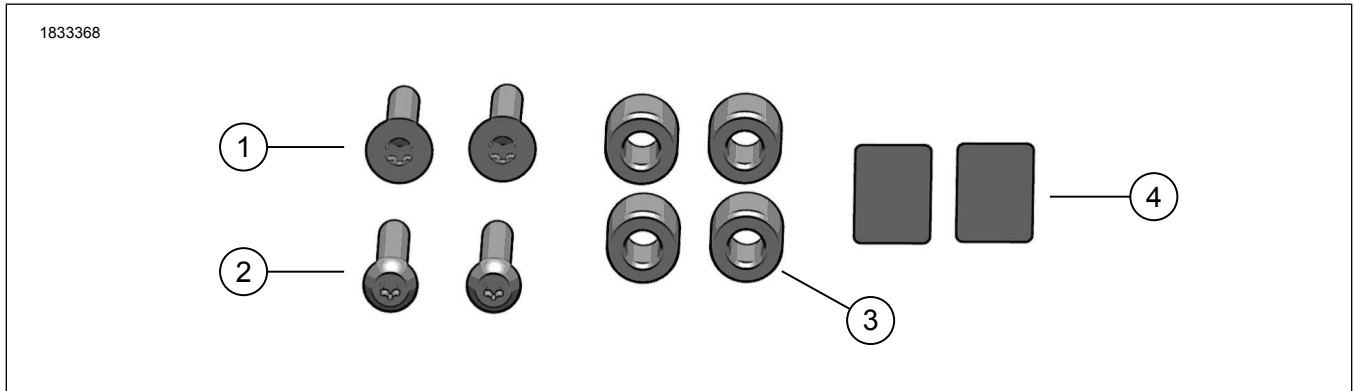


Figure 1. Kit Contents: Detachable Conversion Hardware

Table 2. Kit Contents: Detachable Conversion Hardware Kit

Verify that all contents are present in the kit before installing or removing items from vehicle.					
<input checked="" type="checkbox"/>	Item	Qty	Description	Part No.	Notes
<input type="checkbox"/>	1	2	Screw, flat, TORX, 5/16-18X2, black	Not sold separately	
<input type="checkbox"/>	2	2	Screw, buttonhead, TORX, 5/16-18X2	Not sold separately	
<input type="checkbox"/>	3	4	Spacer	Not sold separately	
<input type="checkbox"/>	4	2	Tape, protective, upright	Not sold separately	

GENERAL

Models

For model fitment information, see the Parts and Accessories (P&A) Retail Catalog or the Parts and Accessories section of www.harley-davidson.com.

Verify that the most current version of the instruction sheet is used. It is available at: h-d.com/isheets

Contact Harley-Davidson Customer Support Center at 1-800-258-2464 (U.S. only) or 1-414-343-4056.

Installation Requirements

Separate purchase of Docking Hardware kit (Part No. 52300353 or 52300354) is required for installation of this kit.

⚠ WARNING

Rider and passenger safety depend upon the correct installation of this kit. Use the appropriate service manual procedures. If the procedure is not within your capabilities or you do not have the correct tools, have a Harley-Davidson dealer perform the installation. Improper installation of this kit could result in death or serious injury. (00333b)

NOTE

This instruction sheet references service manual information. A service manual for the year and model motorcycle is required for this installation and is available from:

- A Harley-Davidson dealer.

- *H-D Service Information Portal, a subscription-based access available for most 2001 and newer models. For more information see Frequently ask questions about subscriptions.*

PREPARE

1. Remove saddlebags. See service manual.

REMOVE

1. See Figure 2. Remove screws (1). Discard.
2. Remove Original Equipment (OE) remote reservoir bracket (2).
 - a. Do not remove or loosen any of the remote reservoir hoses or bolts.
3. Repeat steps for opposite side of vehicle.

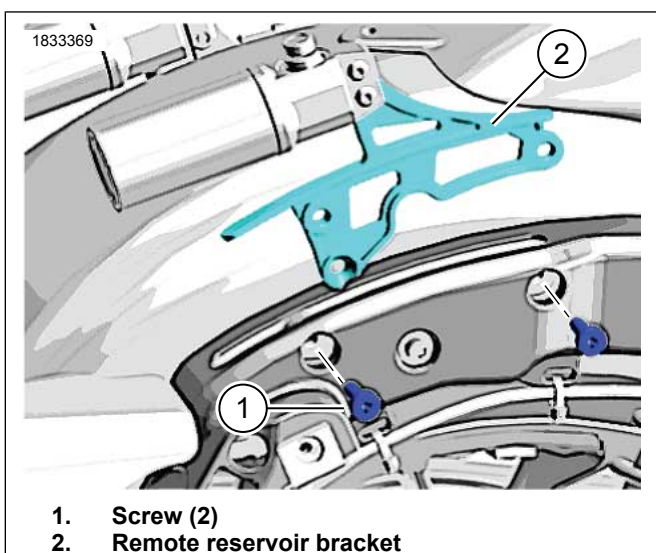


Figure 2. Remove Remote Reservoir Bracket

INSTALL

1. Install docking hardware kit (Part No. 52300353 or 52300354). Follow instructions included in that kit.
 - a. Discard mounting washers (Part No. 6302) and screws (Part No. 10200157).
2. See Figure 3. Install spacers (5).
3. Apply threadlocker to threads of screws (3,4).
Consumable: LOCTITE 262 HIGH STRENGTH THREADLOCKER AND SEALANT (RED) (94759-99)
4. Install OE remote reservoir bracket (2) to outside of fender support and screws (3,4).
5. Tightens screws (3,4).
Torque: 27.1 N·m (20 ft-lbs)
6. Repeat steps for opposite side of vehicle.

NOTE

If installing an upright or detachable rack to vehicle, check if there is any contact between rubber sheath on remote reservoir hose and upright bar. If contact exists, place protective tape (4, Figure 1), on both sides of upright bar for protection.

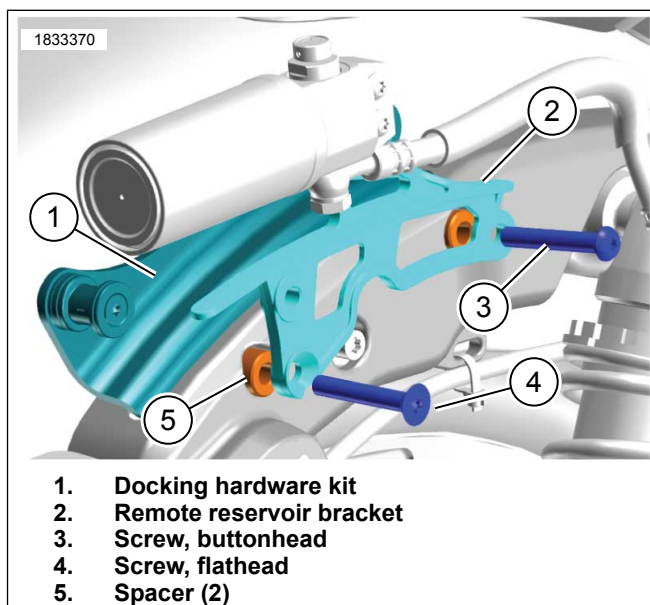


Figure 3.

COMPLETE

1. Install saddlebags. See service manual.
2. When saddlebag lids are open, check that no contact exists between reservoir, hoses and lid.