



INSTRUCTIONS

94100414

2024-01-25



TOURING SEATS

GENERAL INFORMATION

Table 1. General Information

Kits	Suggested Tools	Skill Level ⁽¹⁾
52000638, 52000640, 52000643, 52000672, 52000756, 52000757	Safety Glasses, Torque Wrench	
<i>(1) Tightening to torque value or other moderate tools and techniques required</i>		

KIT CONTENTS

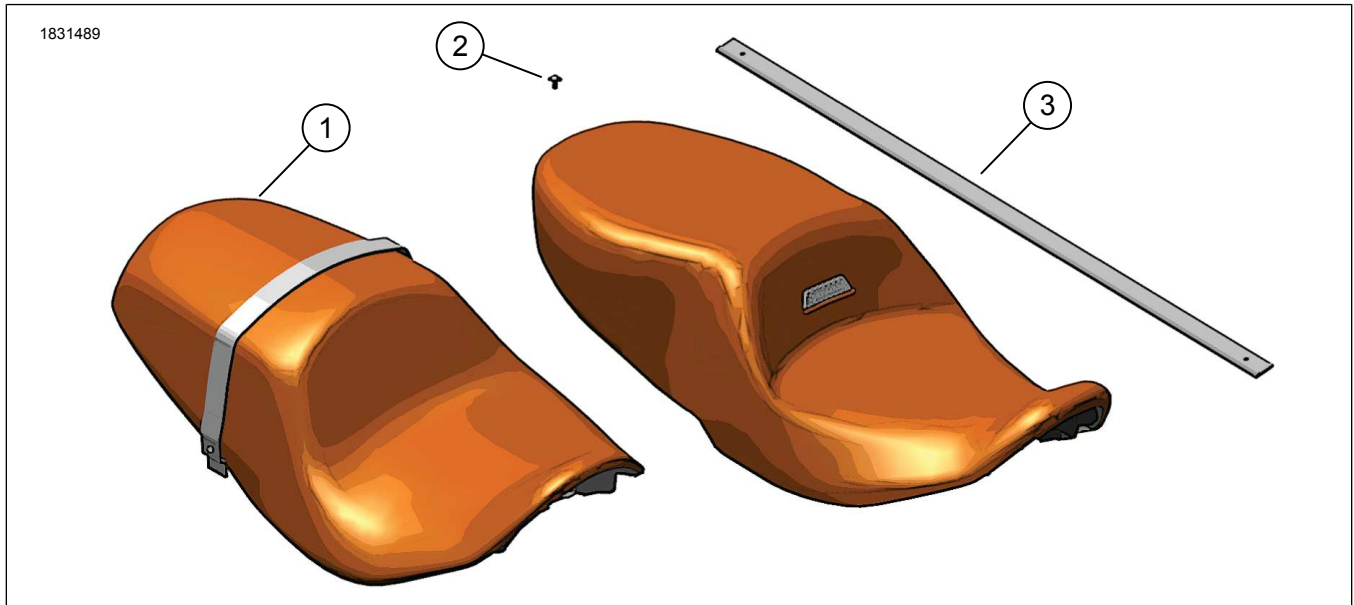


Figure 1. Kit Contents: Seats - Touring

Table 2. Kit Contents: Seat Kits

Verify that all contents are present in the kit before installing or removing items from vehicle.					
<input checked="" type="checkbox"/>	Item	Qty	Description	Part No.	Notes
<input type="checkbox"/>	1	1	Seat	Not sold separately	
<input type="checkbox"/>	2	1	Screw	10201398	Kits 52000643, 52000756, 52000757
<input type="checkbox"/>				10200004	Kits 52000672
<input type="checkbox"/>	3	1	Grab strap	52400376	Kit 52000638
<input type="checkbox"/>				52400338	Kit 52000640
<input type="checkbox"/>				52400325	Kits 52000643, 52000756, 527000757
<input type="checkbox"/>				52400335	Kit 52000672
<input type="checkbox"/>					

GENERAL

Models

For model fitment information, see the Parts and Accessories (P&A) Retail Catalog or the Parts and Accessories section of www.harley-davidson.com.

Verify that the most current version of the instruction sheet is used. It is available at: h-d.com/isheets

Contact Harley-Davidson Customer Support Center at 1-800-258-2464 (U.S. only) or 1-414-343-4056.

Installation Requirements

▲ WARNING

Do not install these seat kits on motorcycles that are not equipped with an appropriate grab strap and passenger footpegs. If footpegs and grab strap are not installed, passenger could fall from moving motorcycle or grab onto operator, causing loss of control and death or serious injury. (00410b)

▲ WARNING

Rider and passenger safety depend upon the correct installation of this kit. Use the appropriate service manual procedures. If the procedure is not within your capabilities or you do not have the correct tools, have a Harley-Davidson dealer perform the installation. Improper installation of this kit could result in death or serious injury. (00333b)

NOTE

This instruction sheet references service manual information. A service manual for the year and model motorcycle is required for this installation and is available from:

- A Harley-Davidson dealer.
- H-D Service Information Portal, a subscription-based access available for most 2001 and newer models. For more information see *Frequently ask questions about subscriptions*.

PREPARE

1. Remove Original Equipment (OE) seat and grab strap. See service manual.

INSTALL

NOTE

- See Figure 2. Vehicles with thumb nuts follow steps 1a and 1b.
- See Figure 3. Vehicles with flange nuts follow steps 1a and 1c.

1. See Figure 2 and Figure 3. Install **new** grab strap.
 - a. Install grab strap (2) to studs (1).
 - b. Install thumb nuts (3). Tighten.
Torque: 0.09–1.7 N·m (1–15 **in-lbs**)
 - c. Install flange nuts (3). Tighten.
Torque: 7–11 N·m (62–97 **in-lbs**)

2. **Kits 52000638, 52000640:** See Figure 4. Install **new** grab strap.
 - a. Insert grab strap (1) into side plate hole (2).
 - b. Align hole in grab strap with side plate nut (4).
 - c. Install screw (3). Tighten.
Torque: 5–8 N·m (44–71 **in-lbs**)
 - d. Repeat procedure on other side.
3. See Figure 2 and Figure 5. Install rear seat through grab strap (2) until seat mounting slot (1) on front underside of seat is behind seat tongue (5).
4. Slide seat forward until seat tongue fully engages into seat mounting slot (1).
5. See Figure 1. Install seat screw (2). Tighten.
Torque: 5.4–8.1 N·m (4–6 **ft-lbs**)
6. After installing seat, pull up on seat to verify it is secure. See service manual.

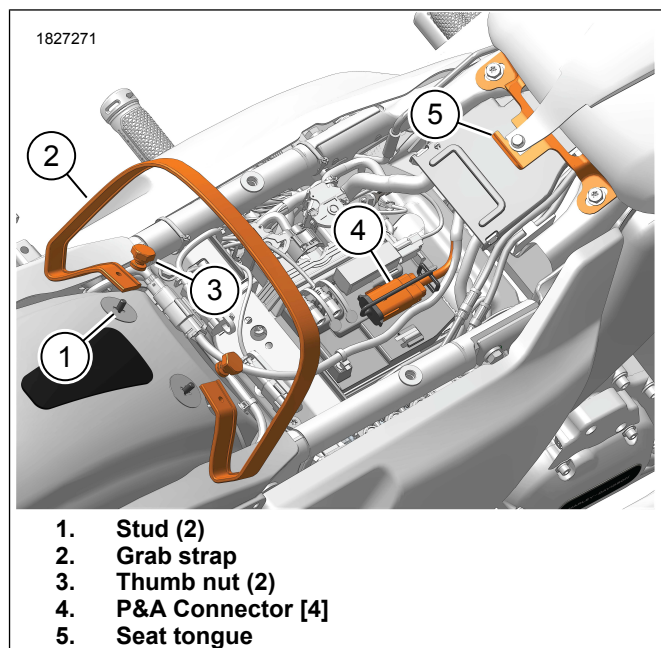


Figure 2. Component Locations

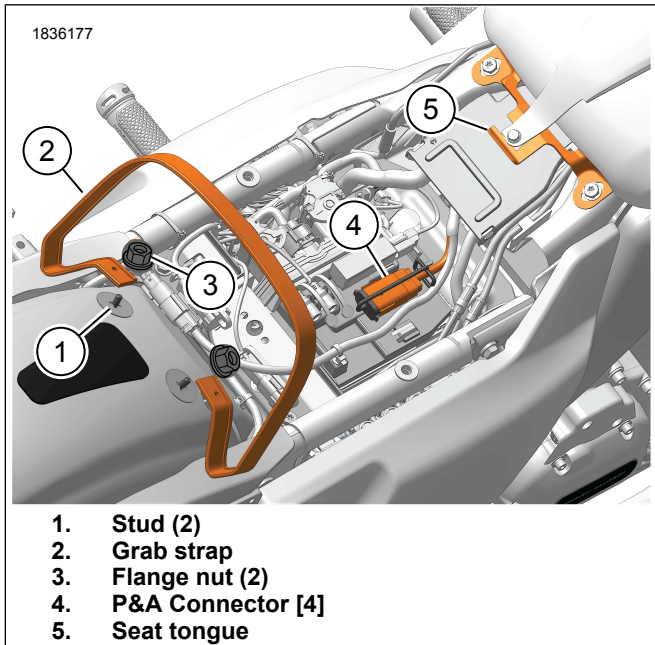


Figure 3. Component Locations

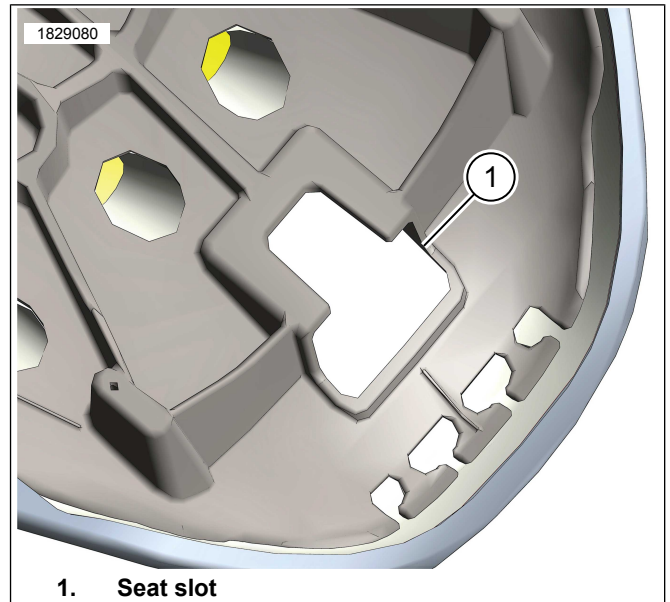


Figure 5. Seat Mount Slot

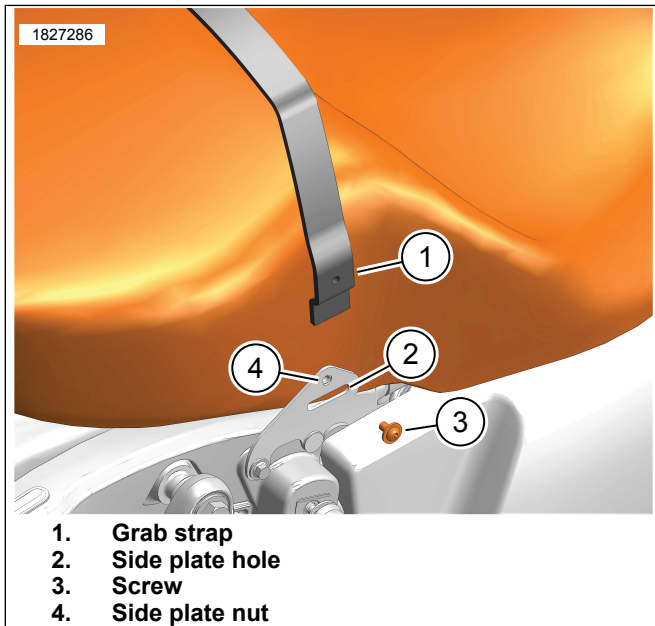


Figure 4. Seat Grab Strap Install