



INSTRUCTIONS

94100363

2024-01-23



STAGE I & II SPEAKER KIT-FORK MOUNTED FAIRING (PN 76001295 AND 76001296)

GENERAL INFORMATION

Table 1. General Information

Kits	Suggested Tools	Skill Level ⁽¹⁾
76001295, 76001296	Safety Glasses, Torque Wrench	
<i>(1) Tightening to torque value or other moderate tools and techniques required</i>		

KIT CONTENTS

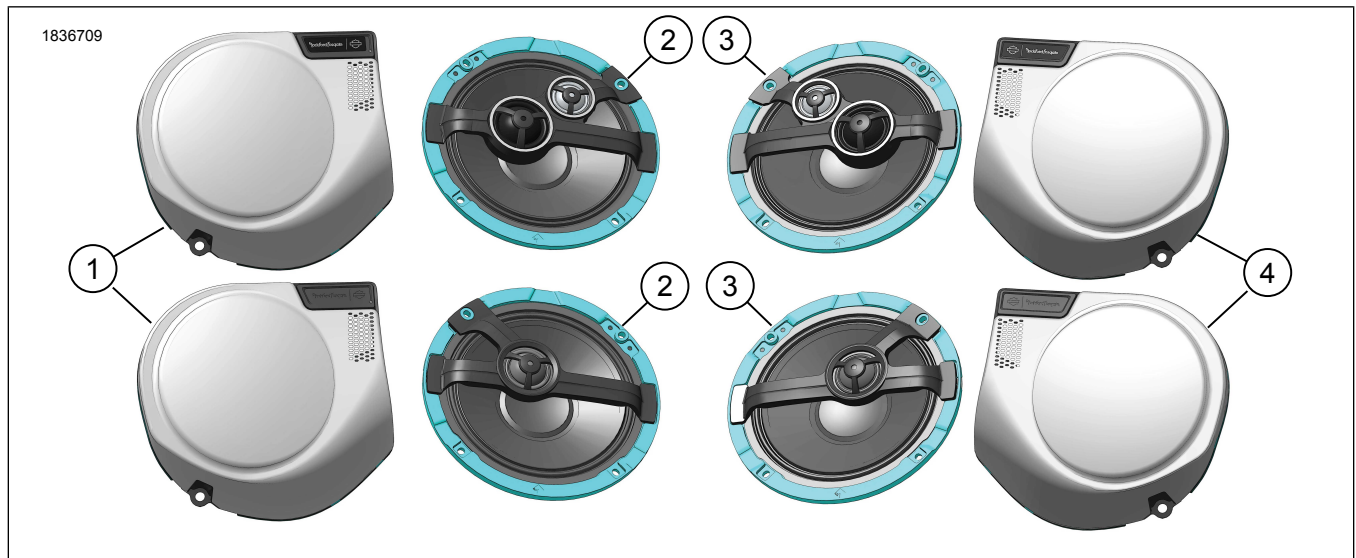


Figure 1. Kit Contents: STAGE I & II SPEAKER KIT-FORK MOUNTED FAIRING

Table 2. Kit Contents: STAGE I & II SPEAKER KIT-FORK MOUNTED FAIRING

<input checked="" type="checkbox"/>	Verify that all contents are present in the kit before installing or removing items from vehicle.				
Item	Qty	Description	Part No.	Notes	
<input type="checkbox"/>	1	Grille assembly, left, Stage 1 Speaker	76001142		
<input type="checkbox"/>		Grille assembly, left, Stage 2 Speaker	76001140		
<input type="checkbox"/>	1	Stage 1 speaker, left, 6.5 inch	76000998		
<input type="checkbox"/>		Stage 2 speaker, left, 6.5 inch	76000999		
<input type="checkbox"/>	1	Stage 1 speaker, right, 6.5 inch	76001010		
<input type="checkbox"/>		Stage 2 speaker, right, 6.5 inch	76001011		
<input type="checkbox"/>	1	Grille assembly, right, Stage 1 Speaker	76001143		
<input type="checkbox"/>		Grille assembly, right, Stage 2 Speaker	76001141		

GENERAL

Models

For model fitment information, see the Parts and Accessories (P&A) Retail Catalog or the Parts and Accessories section of www.harley-davidson.com.

Fits: 2023 CVO Street Glide (FLHXSE), Road Glide (FLTRXSE) and 2024 Street Glide (FLHX), Road Glide (FLTRX).

Verify that the most current version of the instruction sheet is used. It is available at: h-d.com/isheets

Contact Harley-Davidson Customer Support Center at 1-800-258-2464 (U.S. only) or 1-414-343-4056.

Installation Requirements

⚠ WARNING

Rider and passenger safety depend upon the correct installation of this kit. Use the appropriate service manual procedures. If the procedure is not within your capabilities or you do not have the correct tools, have a Harley-Davidson dealer perform the installation. Improper installation of this kit could result in death or serious injury. (00333b)

NOTE

This instruction sheet references service manual information. A service manual for the year and model motorcycle is required for this installation and is available from:

- A Harley-Davidson dealer.
- H-D Service Information Portal, a subscription-based access available for most 2001 and newer models. For more information see *Frequently ask questions about subscriptions*.

This item is available at a Harley-Davidson dealership.

- **2024-later FLHX:** Separate purchase of Amplifier Kit (Part No. 76001294) is required for this installation.

Installation by a technician at a Harley-Davidson dealership is recommended.

To ensure proper audio performance, speaker set up in the Infotainment Control Unit (IFCU) **OR** Digital Technician II (DT II) is required for audio configuration and amplifier firmware update.

PREPARE

NOTE

Models with security: Disable security system.

1. Remove left saddlebag. See service manual.
2. Remove left side cover. See service manual.
3. Remove main fuse. See service manual.

NOTE

2023 and 2024 (FLHX/SE) the handlebar needs to be lowered to allow for the grilles and speakers to be removed.

4. See Figure 2. **2023-later (FLHX/SE):** Lower handlebar.
 - a. Make a line from handlebar (1) onto clamp to mark handlebar position.
 - b. Loosen screws (2).
 - c. Lower handlebar.

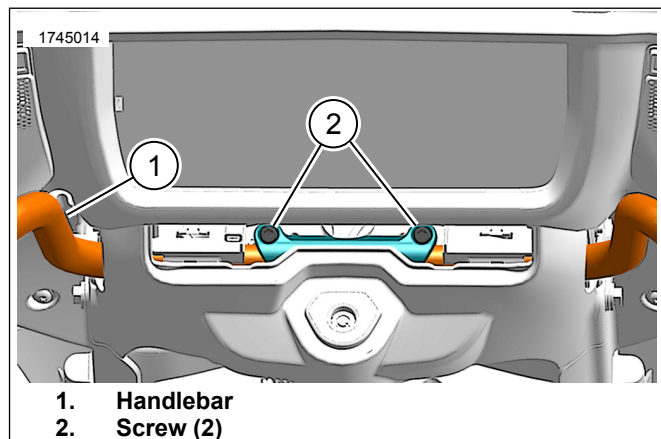


Figure 2. Handlebar Screw

REMOVE

NOTE

New speaker components are shown in graphic, Original Equipment Manufacturer (OEM) is similar.

1. See Figure 3. Remove Original Equipment (OE) speaker grille.
 - a. Remove screw (5) and grille (4).
 - b. Using a non-marring tool, pry clips (3) from clip openings (2).
2. Remove speaker screws (6).
3. See Figure 4. Remove OE speaker.
 - a. Remove speaker (1) from fairing far enough to gain access to connectors (4).
 - b. Disconnect connectors (4) from speaker terminals (3).
4. Repeat procedure for opposite side.

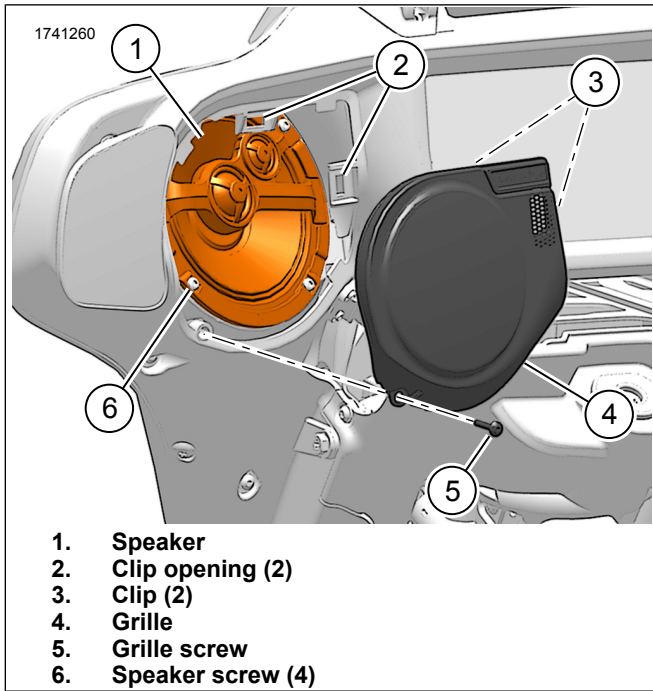


Figure 3. Speaker and Grille (Stage 2 shown, OE similar)

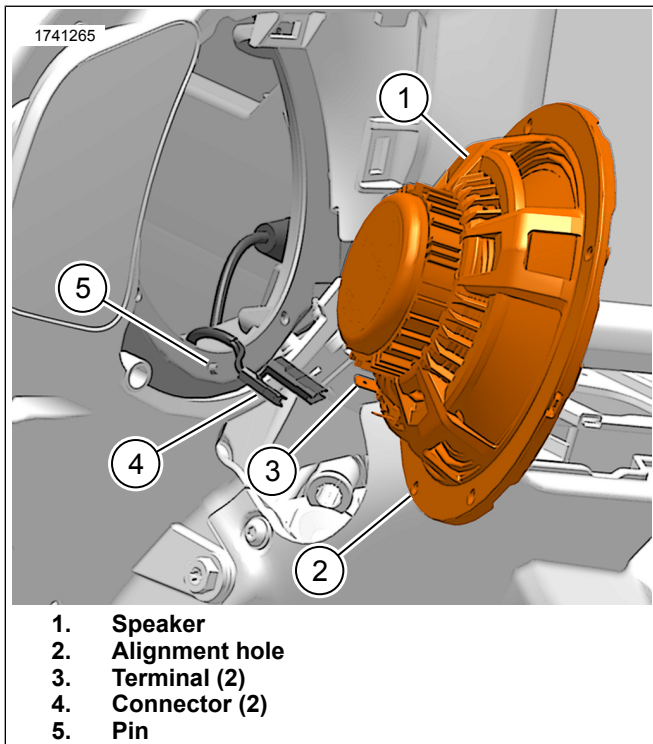


Figure 4. Fairing Speaker Connection

INSTALL

1. See Figure 5. Orient Stage I (2, 5) or II (3, 4) speaker as shown.
2. See Figure 4. Install Stage I or II speaker.
 - a. Connect connectors (4) to speaker terminals (3).
 - b. Install speaker (1) into enclosure.

3. See Figure 3. Install speaker screws.
 - a. Alternately secure screws (6).
 - b. Tighten.
Torque: 1–1.5 N·m (9–13 in-lbs)
4. Install grille.
 - a. See Figure 6. Verify clips (1) and gaskets (2) are in place on grille.
 - b. See Figure 3. Install grille aligning grille clips (3) into clip openings (2).
 - c. Install screw (5). Tighten.
Torque: 1.3–1.6 N·m (12–14 in-lbs)

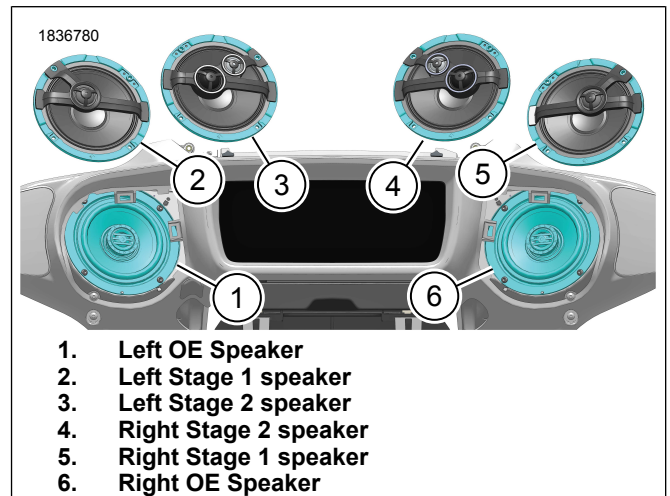


Figure 5. Speaker Orientation (Typical)

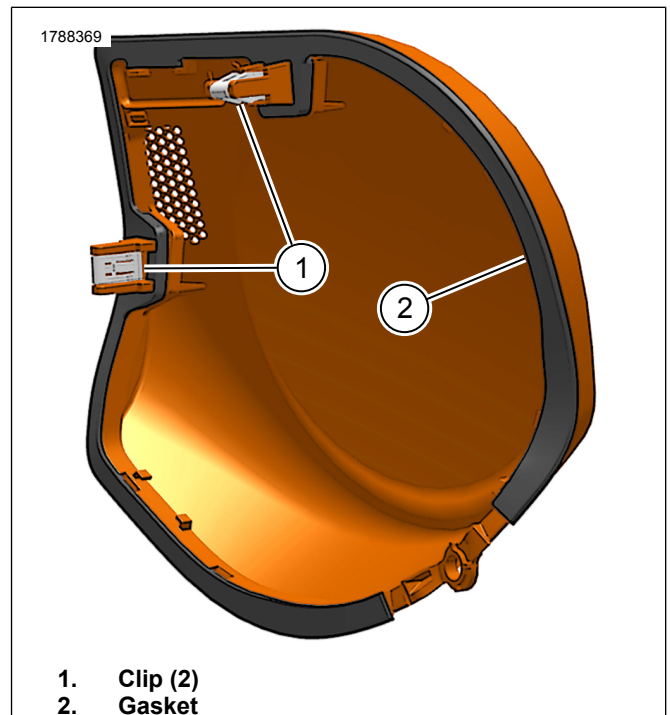


Figure 6. Grille Gasket

COMPLETE

1. See Figure 2. **2023-later (FLHX/SE):** Secure handlebar.
 - a. Raised handlebar (1) to marked position.
 - b. Tighten screws (2).

2. *NOTE*

*To prevent possible damage to the sound system, verify that the ignition is OFF **before** installing the main fuse.*

Install main fuse. See service manual.

3. Install left side cover. See service manual.
4. Install left saddlebag. See service manual.
5. Turn the ignition ON, but do not start the vehicle.
6. Make sure that all speakers are working properly. Check that front and rear fader function is operating correctly. If not, check speaker wiring.