



# INSTRUCTIONS

J06367

2017-01-01



## PASSENGER FOOTPEG KIT

### GENERAL

#### Kit Number

50500781

#### Models

For model fitment information, see the P&A Retail Catalog or the Parts and Accessories section of [www.harley-davidson.com](http://www.harley-davidson.com) (English only).

#### Additional Parts Required

##### ⚠ WARNING

Rider and passenger safety depend upon the correct installation of this kit. Use the appropriate service manual procedures. If the procedure is not within your capabilities or you do not have the correct tools, have a Harley-Davidson dealer perform the installation. Improper installation of this kit could result in death or serious injury. (00333b)

##### NOTE

This instruction sheet references service manual information. A service manual for your model motorcycle is required for this installation and is available from a Harley-Davidson Dealer.

#### Kit Contents

See Figure 2 and Table 1.

### INSTALLATION

1. See Figure 1. Your model motorcycle is equipped with a pin (1) and retaining clip (5). Remove them and retain for future use. Save all hardware, including detent spring (3), detent ball (4) and cage (6) for installation of the new footpegs (2).

##### NOTE

See Figure 1. When performing the next step, verify that the spring (3) is positioned inside of the footpeg (2) and take care while removing and re-installing the cage (6).

2. Insert detent spring (3) into new footpeg (2), followed by detent ball (4). Position cage (6) on footpeg clevis edge while capturing the detent ball (4) and detent spring (3) inside cage (6) while sliding cage (6) onto footpeg clevis.
3. Align cage (6) and footpeg (2) with footpeg mount on vehicle.
4. Install pin (1) and retaining clip (5).

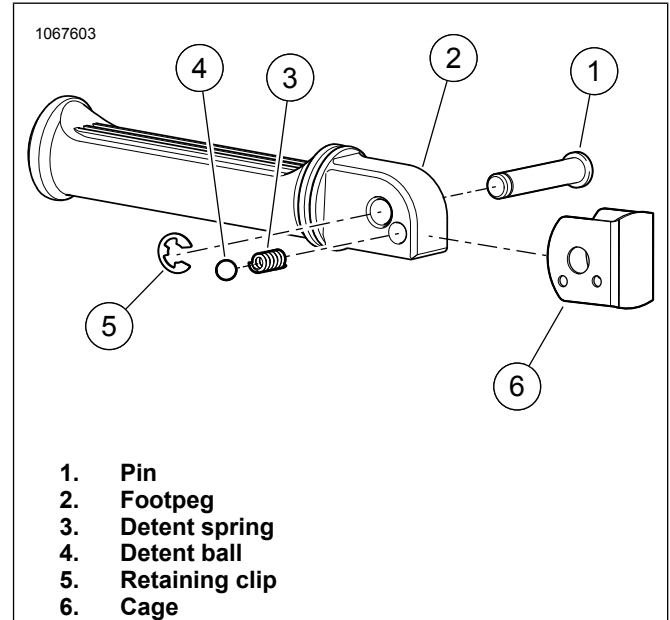


Figure 1. Passenger Footpeg Detent Ball Installation

##### ⚠ WARNING

Footrests must fold up and toward rear of motorcycle if struck. Failure to set footrests to fold up and back could result in death or serious injury. (00366a)

### CARE AND CLEANING GUIDELINES FOR BRASS PARTS

#### Cleaning Instructions

1. Verify part is dry and free of dirt or debris.
2. Place a small amount of Harley-Davidson® Chrome Clean & Shine on a microfiber cloth or detailing swab.
3. Using light pressure, rub the brass parts with the microfiber cloth. For hard to reach places or grooves, use the detailing swab.

#### Obtaining a Bright Finish

Brass parts will naturally age and darken with time. If a bright brass finish is preferred, place some Harley-Davidson Bare Metal Polish on a microfiber cloth and lightly rub on the brass parts until they reach the desired brightness.

#### Slowing the Natural Aging Process

To slow the aging process of the brass parts, place a small amount of Harley-Davidson Glaze Poly Sealant on a microfiber cloth or detailing swab, and lightly rub on the parts until the sealant has soaked in.



## Precautions

- Use of non-recommended cleaning, polishing and protective products will result in the removal of the aged finish from the brass parts.
- Prolonged contact with certain items (hands, gloves, boots, dust, etc.) and exposure to the elements will also alter all surface finishes and is NOT considered a defect.
- Avoid cleaning parts with abrasive and aggressive chemicals and abrasive cleaning pads.
- Avoid ammoniated products and bleach.
- Prolonged exposure to water will alter the brass finish. Wipe down parts after contact with water.
- Excess rubbing may lighten the surface appearance of the part.

## SERVICE PARTS

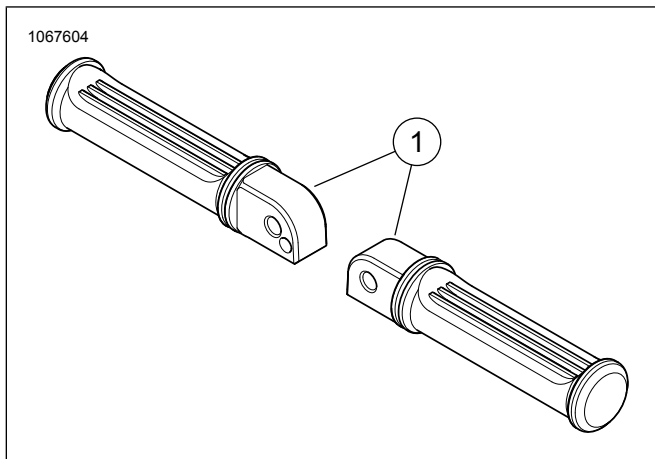


Figure 2. Service Parts: Footpeg Kit

Table 1. Kit Contents

Item	Description (Quantity)	Part Number
1	Brass passenger footpeg (2)	Not sold separately