



# INSTRUCTIONS

J06335

2024-04-03



## FOOTPEG KIT

### GENERAL

#### Kit Number

50500533, 50500535, 50500536, 50500540, 50500655,  
50500678, 50501895, 50501896, 50501897, 50502111,  
50502112, 50502113, 50502244, 50502245, 50502246,  
50502249, 50502500, 50502501

#### Models

Verify that the most current version of the instruction sheet is used. It is available at: [h-d.com/isheets](http://h-d.com/isheets)

For model fitment information, see the P&A Retail Catalog or the Parts and Accessories section of [www.harley-davidson.com](http://www.harley-davidson.com) (English only).

#### Kit Contents

See Figure 3 and Table 1.

#### Installation Requirements

Loctite® 243 Threadlocker and Sealant - Blue (Part No. 99642-97) to install replacement wear tips.

#### ⚠ WARNING

Rider and passenger safety depend upon the correct installation of this kit. Use the appropriate service manual procedures. If the procedure is not within your capabilities or you do not have the correct tools, have a Harley-Davidson dealer perform the installation. Improper installation of this kit could result in death or serious injury. (00333b)

#### NOTE

This instruction sheet references service manual information. A service manual for your model motorcycle is required for this installation and is available from a Harley-Davidson Dealer.

### INSTALL

1. Remove hardware fastening stock footpeg to vehicle footpeg support. Save hardware for installation of **new** footpegs.
2. Remove existing footpegs and spring washers. Note orientation of, and save, spring washers for installation.

#### NOTE

See Figure 1. When installing footpeg support mount on vehicle footpeg support make sure spring washer (1) is positioned inside of footpeg support with square edge toward inside of support.

3. Install **new** footpeg mount in reverse order of stock footpeg mount removal. Place a spring, along with mount end of footpeg, inside slots of footpeg supports.

#### NOTE

Secure each footpeg mount and spring washer with screw and locknut removed earlier. Tighten the locknuts to 29 N·m (21 ft-lbs).

#### ⚠ WARNING

Footrests must fold up and toward rear of motorcycle if struck. Failure to set footrests to fold up and back could result in death or serious injury. (00366a)

4. See Figure 1. For each footpeg, position footpeg as desired, then secure adjusting screw (1). Tighten.  
Torque: 29 N·m (21 ft-lbs)
5. Empire footpegs install with wider section of footpeg facing forward on vehicle.

### Wear Peg Replacement

#### NOTE

See service manual for wear peg orientation.

1. See Figure 2. Remove existing wear peg from footpeg.
2. Apply 2 or 3 drops of threadlocker to threads of **new** wear peg and install to footpeg.  
Consumable: LOCTITE 243 MEDIUM STRENGTH THREADLOCKER AND SEALANT (BLUE) (99642-97)
3. Secure wear peg. Tighten.  
Torque: 6–9 N·m (4–7 ft-lbs)

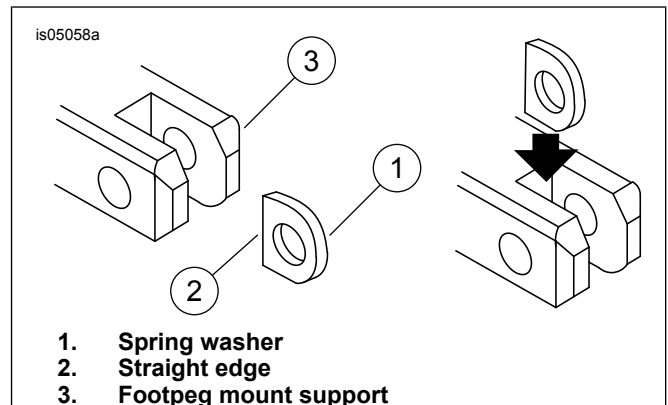


Figure 1. Footpeg Spring Washer Install



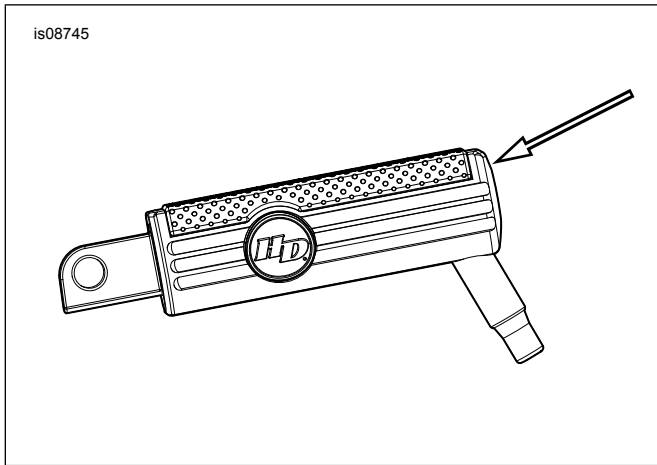


Figure 2. Footpeg Adjusting Screw

Service Parts

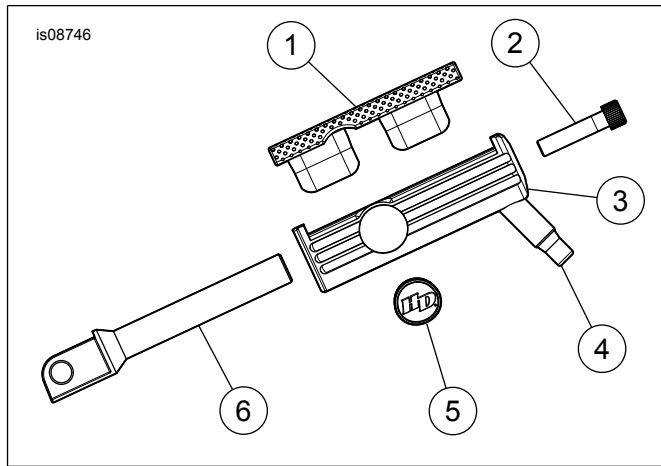


Figure 3. Service Parts

Table 1. Defiance Service Parts Table

Item	Description (Quantity)	Part Number
1	Rubber foot peg (1)	Not sold separately
2	Socket head cap screw (1)	Not sold separately
3	Foot peg base (1)	Not sold separately
4	Foot peg wear peg (1)	50500514
5	Chrome medallion grip (2)	14100879
6	Long black foot peg mount (1)	Not sold separately

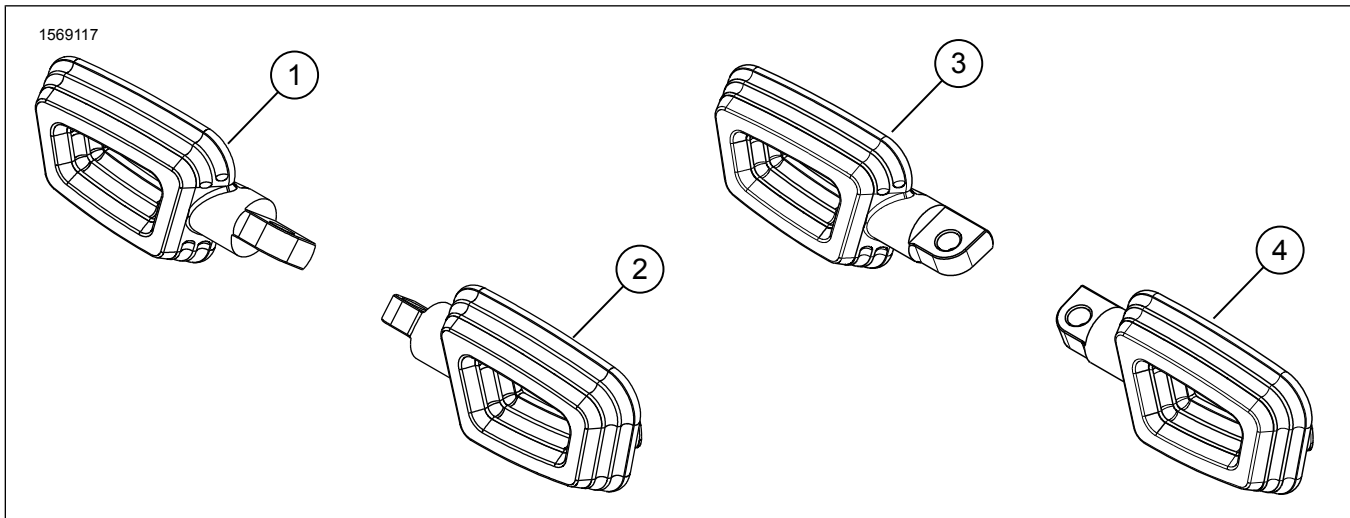


Figure 4. Service Parts: Footpeg - Rider/Passenger (Empire collection shown)

Table 2. Service Parts: Footpeg - Rider/Passenger (Empire collection shown)

Kit	Item	Description (Quantity)	Part Number
50501895	1	Footpeg, Rider, Left, Chrome	50501883
	2	Footpeg, Rider, Right, Chrome	50501892
50501896	1	Footpeg, Rider, Left, Black	50501884
	2	Footpeg, Rider, Right, Black	50501893
50501897	1	Footpeg, Rider, Left, Machine Cut	50501885
	2	Footpeg, Rider, Right, Machine Cut	50501894
50502244	1	Footpeg, Rider, Left, Gray	50502417
	2	Footpeg, Rider, Right, Gray	50502416
50502249	1	Footpeg, Rider, Left, Black	50502415
	2	Footpeg, Rider, Right, Black	50502414
50502111	3	Footpeg, Passenger, Left, Chrome	50502053
	4	Footpeg, Passenger, Right, Chrome	50502050
50502112	3	Footpeg, Passenger, Left, Black	50502054
	4	Footpeg, Passenger, Right, Black	50502051

**Table 2. Service Parts: Footpeg - Rider/Passenger (Empire collection shown)**

<b>Kit</b>	<b>Item</b>	<b>Description (Quantity)</b>	<b>Part Number</b>
50502113	3	Footpeg, Passenger, Left, Machine Cut	50502055
	4	Footpeg, Passenger, Right, Machine Cut	50502052
50502245	3	Footpeg, Passenger, Left, Gray	50502407
	4	Footpeg, Passenger, Right, Gray	50502406
50502246	3	Footpeg, Passenger, Left, Black	50502405
	4	Footpeg, Passenger, Right, Black	50502404
50502500	3	Footpeg, Passenger, Left, Black	50502510
	4	Footpeg, Passenger, Right, Black	50502510
50502501	3	Footpeg, Passenger, Left, Silver	50502511
	4	Footpeg, Passenger, Right, Silver	50502511