



# INSTRUCTIONS

94100078

2022-04-19



## DAYMAKER® LED FORWARD AUXILIARY LIGHTS

### GENERAL INFORMATION

Table 1. General Information

Kits	Suggested Tools	Skill Level <sup>(1)</sup>
68000340, 68000341, 68000342, 68000343	Safety Glasses, Torque Wrench	
<i>(1) Tightening to torque value or other moderate tools and techniques required</i>		

### KIT CONTENTS

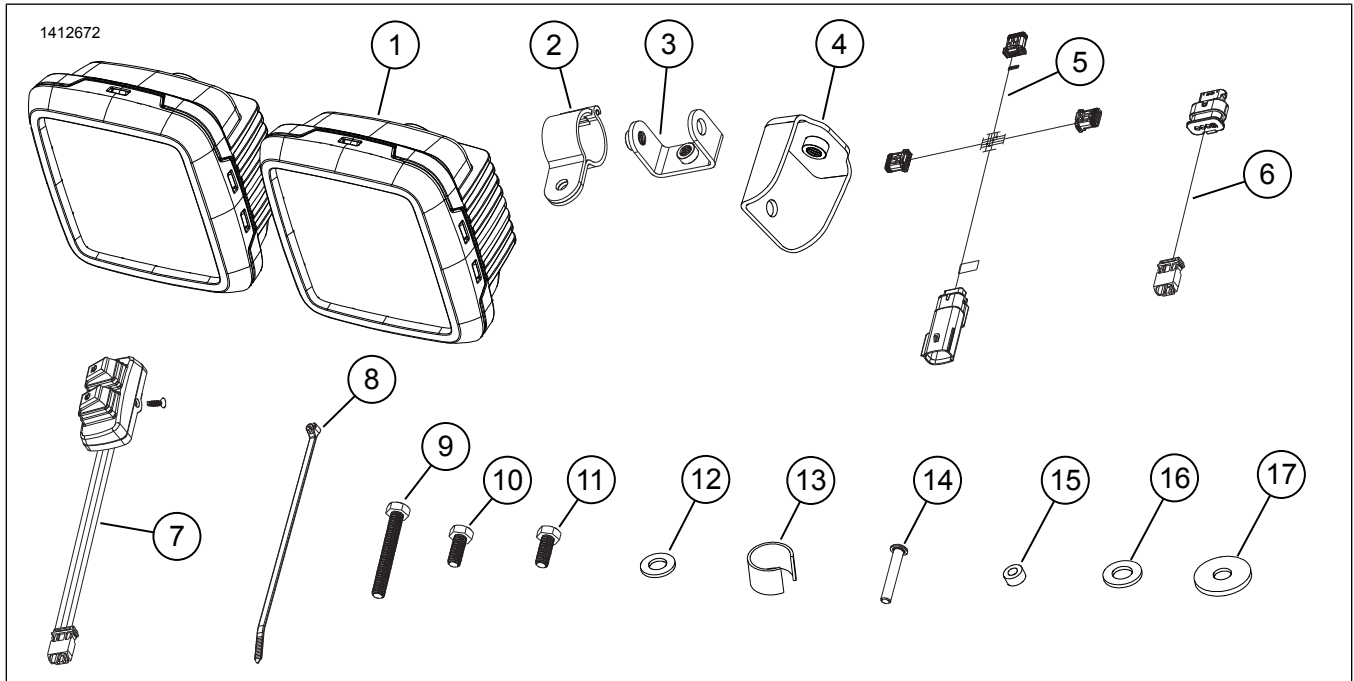


Figure 1. Kit Contents: Forward Auxiliary Lamp Components

**Table 2. Kit Contents: Forward Auxiliary Lamp Components**

<input checked="" type="checkbox"/>	Kit	Item	Qty	Description	Part No.	Notes
<input type="checkbox"/>	68000340	1	2	Lamp, auxiliary	68000335	
<input type="checkbox"/>	68000341, 68000342	2	2	Clamp assembly	68000337	1.25-inch engine guards only
<input type="checkbox"/>		3	2	U-Bracket	68000351	
<input type="checkbox"/>		4	2	I-Bracket	68000350	
<input type="checkbox"/>		5	1	Harness, main	69202518	
<input type="checkbox"/>		6	2	Harness, jumper	69202566	
<input type="checkbox"/>		7	1	Harness, switch pack	69202584	2014-later Touring models except FLTR
<input type="checkbox"/>		Harness, switch pack		69202585	2014-later FLTR models only	
<input type="checkbox"/>		8	8	Cable strap	10006	
<input type="checkbox"/>		9	2	Screw, M8x1.25x60mm	Kit 12600355	
<input type="checkbox"/>		10	2	Screw, M8x1.25x20mm		
<input type="checkbox"/>		11	2	Screw, M8x1.25x16mm		
<input type="checkbox"/>		12	8	Washer, flat, M8		
<input type="checkbox"/>		13	2	Guard protector	Not sold separately	
<input type="checkbox"/>		14	2	Screw, 1/4x20x1.5 (Kit 68000341)	Kit 12600356	2014-later Touring models except FLTR
<input type="checkbox"/>				Screw, 1/4x20x1.75 (Kit 68000342)		2014-later FLTR models only
<input type="checkbox"/>		15	2	Spacer (Kit 68000341)		2014-later Touring models except FLTR
<input type="checkbox"/>				Spacer (Kit 68000342)		2014-later FLTR models only
<input type="checkbox"/>	16	2	Washer, flat, M8 x 19			
<input type="checkbox"/>	17	2	Washer, flat, M8 x 31			

**Table 2. Kit Contents: Forward Auxiliary Lamp Components**

<input checked="" type="checkbox"/>	Kit	Item	Qty	Description	Part No.	Notes
<input type="checkbox"/>	68000343	2	2	Clamp assembly	68000354	21 mm engine guards only
<input type="checkbox"/>		3	2	U-Bracket	68000351	
<input type="checkbox"/>		4	2	I-Bracket	68000350	
<input type="checkbox"/>		5	1	Harness, main	69202518	
<input type="checkbox"/>		6	2	Harness, jumper	69202566	
<input type="checkbox"/>		7	1	Harness, switch pack	69202586	2021-later RA1250 2021-2023 RA1250S only Is not used on 2024 RA1250S.
<input type="checkbox"/>		8	8	Cable strap	Not sold separately	
<input type="checkbox"/>		9	2	Screw, M8x1.25x60mm	Kit 12600355	
<input type="checkbox"/>		10	2	Screw, M8x1.25x20mm		
<input type="checkbox"/>		11	2	Screw, M8x1.25x16mm		
<input type="checkbox"/>		12	8	Washer, flat, M8		
<input type="checkbox"/>		13	2	Guard protector	Not sold separately	
<input type="checkbox"/>		14	2	Screw, M6x1x35mm	Kit 12600356	
<input type="checkbox"/>		16	2	Washer, flat, M8 x 19		
<input type="checkbox"/>		17	2	Washer, flat, M8 x 31		

**NOTE**

Verify that all contents are present in the kit before installing or removing items from vehicle.

**GENERAL**

**Current Draw:** Maximum of 8A (4A per lamp).

**Models**

**▲ WARNING**

Do not use off road lighting while riding on a road. Doing so can produce glare or distract oncoming drivers, which could cause a crash resulting in death or serious injury. (10105a)

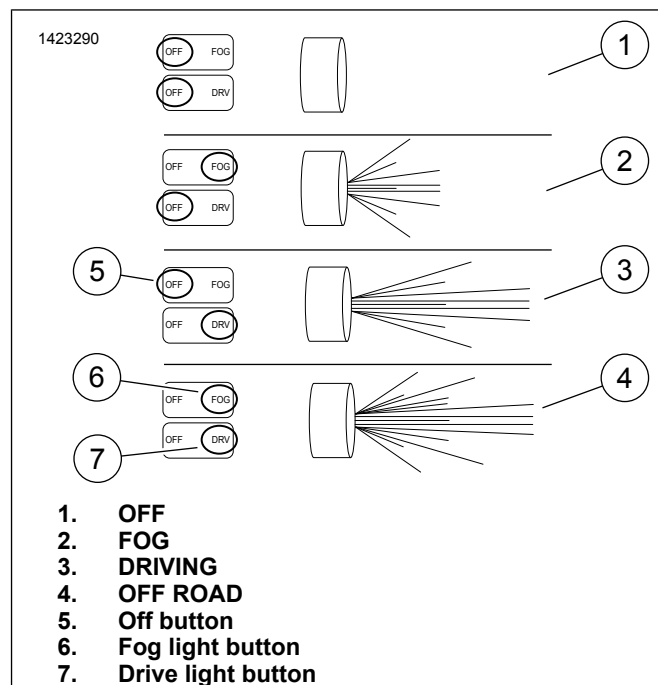
Verify that the most current version of the instruction sheet is used. It is available at: [www.harley-davidson.com/isheets](http://www.harley-davidson.com/isheets)

Contact Harley-Davidson Customer Support Center at 1-800-258-2464 (U.S. only) or 1-414-343-4056.

**OPERATION**

**▲ WARNING**

Do not use off road lighting while riding on a road. Doing so can produce glare or distract oncoming drivers, which could cause a crash resulting in death or serious injury. (10105a)



**Figure 2. Auxiliary Lamp Operation**

## Installation Requirements

### ▲ WARNING

Rider and passenger safety depend upon the correct installation of this kit. Use the appropriate service manual procedures. If the procedure is not within your capabilities or you do not have the correct tools, have a Harley-Davidson dealer perform the installation. Improper installation of this kit could result in death or serious injury. (00333b)

#### NOTE

This instruction sheet references service manual information. A service manual for the year and model motorcycle is required for this installation and is available from:

- A Harley-Davidson dealer.
- H-D Service Information Portal, a subscription-based access available for most 2001 and newer models. For more information see *Frequently ask questions about subscriptions*.

These items are available at your local Harley-Davidson dealership.

- 2014-2016 Touring: Separate purchase of Switched Circuit Adapter Harness (Part No.69201900) may be required for installation.
- 2017 and later Touring: Separate purchase of Switched Circuit Adapter Harness (Part No. 69201706) may be required for installation.

**2024 Pan America S (RA1250S) requirements:** (Does not require purchase of a switch pack. Lights are controlled through the Instrument Module (IM) menu).

- Separate purchase of quantity (2) of Screw (Part No. 10200924)
- Separate purchase of quantity (2) of Screw (Part No. 10200691)
- Separate purchase of quantity (2) of Auxiliary Lamp Bracket (Part No. 68000403)
- Separate purchase of quantity (2) of Wire Harness Auxiliary Lamp Jumper (Part No. 69203245)
- Separate purchase of quantity (3) of Cable Strap (Part No. 10006)
- Separate purchase of quantity (2) of X-Mas Cable Strap (Part No. 10177)

## PREPARE

1. Remove main fuse. See service manual.
2. Remove seat (except 2024 RA1250S). See service manual.
3. Remove fuel tank (except 2024 RA1250S). See service manual.
4. **Pan America (except 2024 RA1250S):** Remove air box. See service manual.
5. **Pan America (2024 RA1250S):** Remove fairing. See service manual.

6. **Touring:** Remove backbone caddy cover. See service manual.

## INSTALL (All Except 2024 RA1250S)

### Switch Pack

1. See Figure 1. Disassemble switch pack (7).
  - a. Remove screw.
  - b. Separate cover from base.
2. Remove screws from clutch clamp on vehicle.
3. See Figure 3. Install switch pack base (2) over clutch clamp.
  - a. **Kits 68000341 and 68000342:** Install spacers (15) between switch pack base and clutch clamp. See Figure 1.
4. Loosely install screws (1).
5. Adjust orientation of clutch clamp.
6. Tighten screws (1).  
Torque: 7–9 N·m (62–80 in-lbs)
7. Install switch pack cover (3).
  - a. Snap into place using tabs (4) on left side of cover.
  - b. Secure with screw (5).
8. Route harness down handlebar toward main harness.
  - a. Verify that harness is not pinched during fork lock motions.
9. Secure harness to handlebar with cable straps.

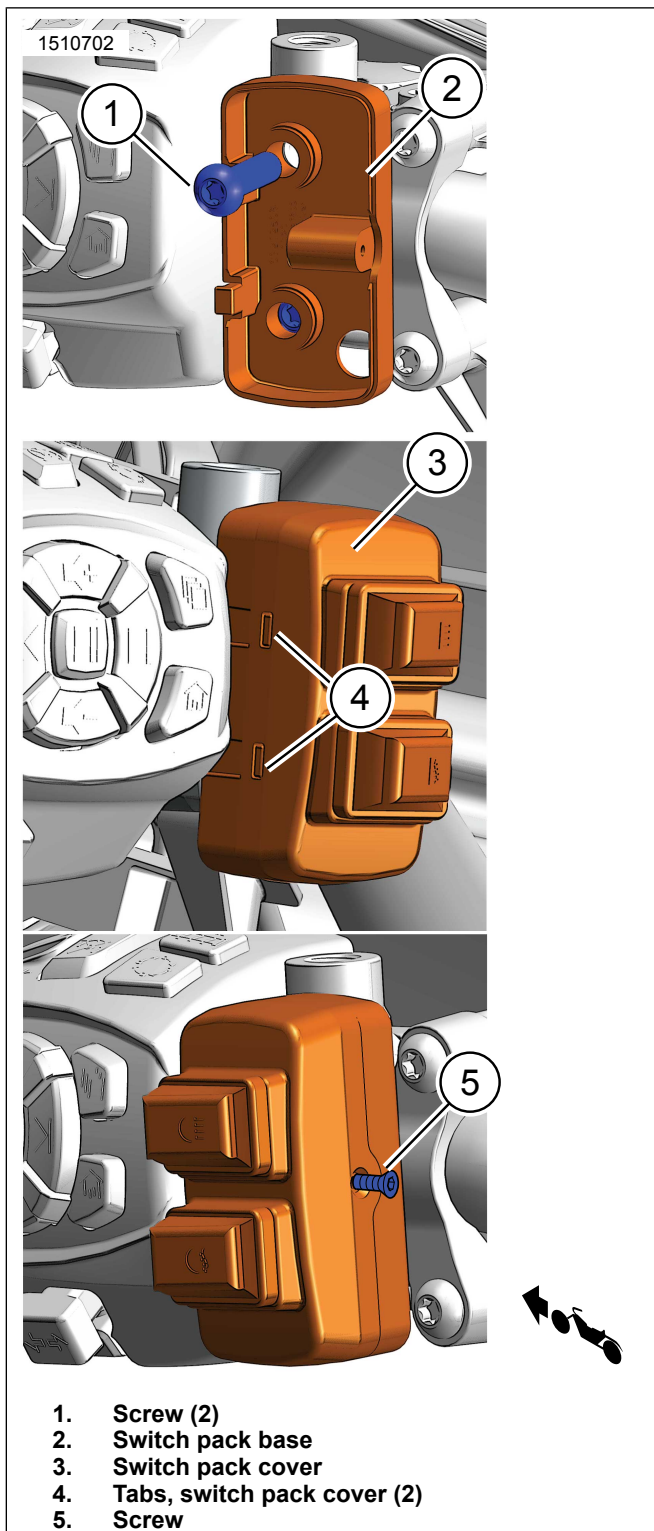


Figure 3. Switch Pack Install (Pan America shown)

## Brackets and Lamps (Kits 68000341 and 68000342)

### NOTE

Install lamp assembly on vertical of engine guard.

1. See Figure 4. Install U-bracket (2) on auxiliary lamp (1).
  - a. Install screw (10) and two flat washers (4).

- b. Loosely tighten screw (10).

2. Install I-bracket (3) to U-bracket (2).

- a. Install screw (8), flat washer (4) and flat washer (9).

- b. Loosely tighten screw (8).

3. See Figure 1. Install guard protector (13) on engine guard.

### NOTE

Adjust clamp location so that lamp is positioned under crossbar.

4. See Figure 4. Install clamp (6) to I-bracket (3).

- a. Install clamp (6) over guard protector.

- b. Install screw (5), flat washer (4) and flat washer (7).

- c. Loosely tighten screw (5).

5. Repeat steps 1-4 on opposite side.

## Brackets and Lamps (Kit 68000343)

### NOTE

Install lamp assembly on vertical of engine guard.

1. See Figure 4. Install U-bracket (2) on auxiliary lamp (1).

- a. Install screw (10) and two flat washers (4).

- b. Loosely tighten screw (10).

2. Install I-bracket (3) to U-bracket (2).

- a. Install screw (8), flat washer (4) and flat washer (9).

- b. Loosely tighten screw (8).

3. See Figure 1. Install guard protector (13) on engine guard.

### NOTE

See Figure 5. Adjust clamp location so that lamp is positioned under the crossbar and inboard of vertical engine guard.

4. Install clamp (6) to I-bracket (3).

- a. Install clamp (6) over guard protector.

- b. Install screw (5), flat washer (4) and flat washer (7).

- c. Loosely tighten screw (5).

5. Repeat steps 1-4 on opposite side.

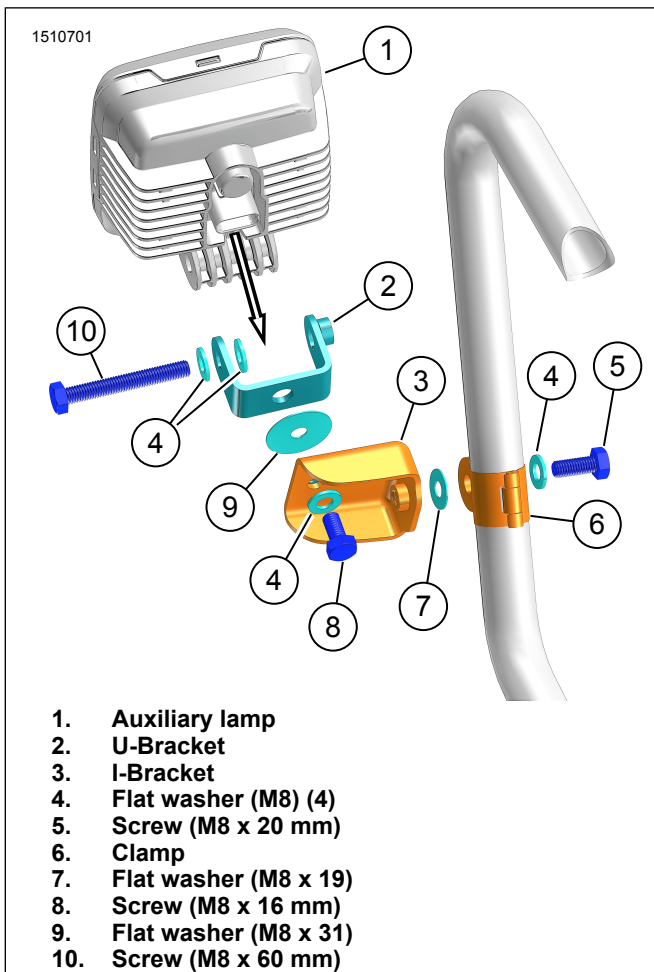


Figure 4. Auxiliary Lamp Install (typical)

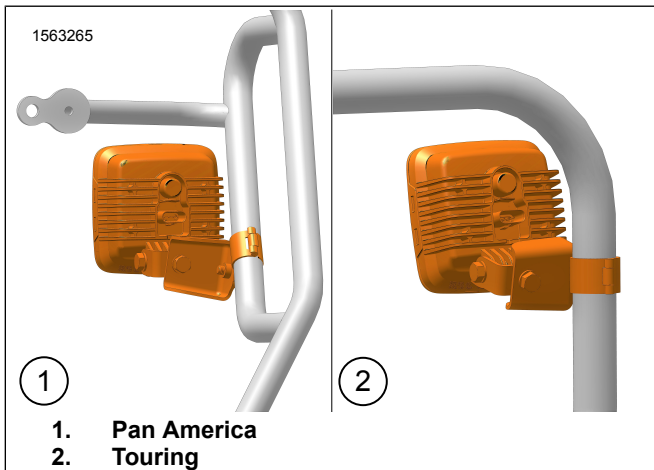


Figure 5. Mounting Location

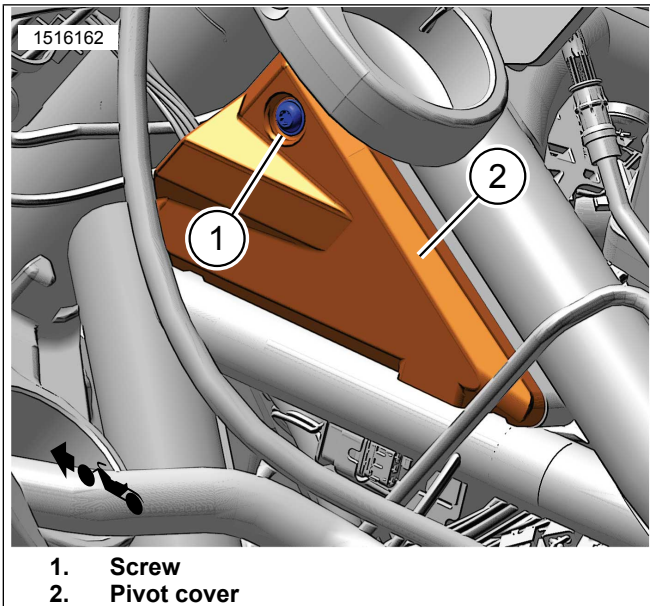
## Pan America Harness

### NOTE

See service manual for wire harness and connector information.

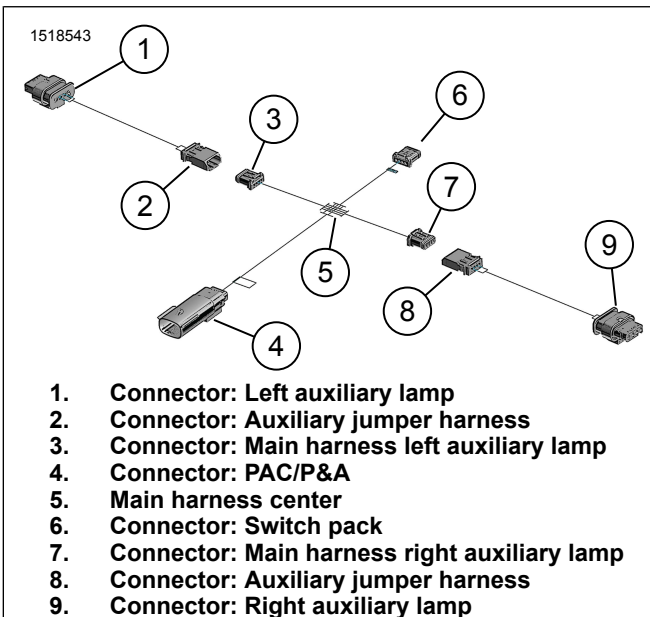
1. See Figure 6. Remove screw (1) and pivot cover (2) from right and left sides.

2. See Figure 7. Install main harness.
  - a. Inside frame area, route switch pack connector (6) toward left of steering head.
  - b. Position main harness center (5) so that it would be centered between the pivot covers.
3. Route and connect switch pack connector (6) to switch pack.
  - a. Follow vehicle's OE harness.
  - b. Verify that harness is not pinched during fork lock motions.
  - c. Secure harness with cable straps.
4. Route connector (3) toward left of steering head.
5. Route connector (7) toward right of steering head.
6. See Figure 6. Install pivot covers (2) and screws (1).
7. See Figure 7. Install jumper harnesses.
  - a. **Left jumper harness:** Connect connectors (2 & 3).
  - b. **Right jumper harness:** Connect connectors (7 & 8).
8. Route harnesses toward respective auxiliary lamp.
9. Connect jumper harnesses to auxiliary lamp.
  - a. **Left auxiliary lamp:** Connect connector (1).
  - b. **Right auxiliary lamp:** Connect connector (9).
10. Secure auxiliary lamp harness with cable straps.
  - a. Check that fork movement is free.
  - b. Check for pinched harness.
11. See Figure 7. Route PAC/P&A harness connector (4) toward rear of vehicle.
  - a. Follow OE main vehicle harness along left frame.
  - b. Make sure that harness will not get pinched when vehicle components get installed.
12. See Figure 8. Connect PAC/P&A connectors.
  - a. Remove cap (2) from PAC/P&A connector (1).
  - b. See Figure 7. Connect PAC/P&A connector (4) to vehicle's PAC/P&A connector.
13. Secure PAC/P&A harness with cable straps.
  - a. Bundle any extra harness under the seat area.



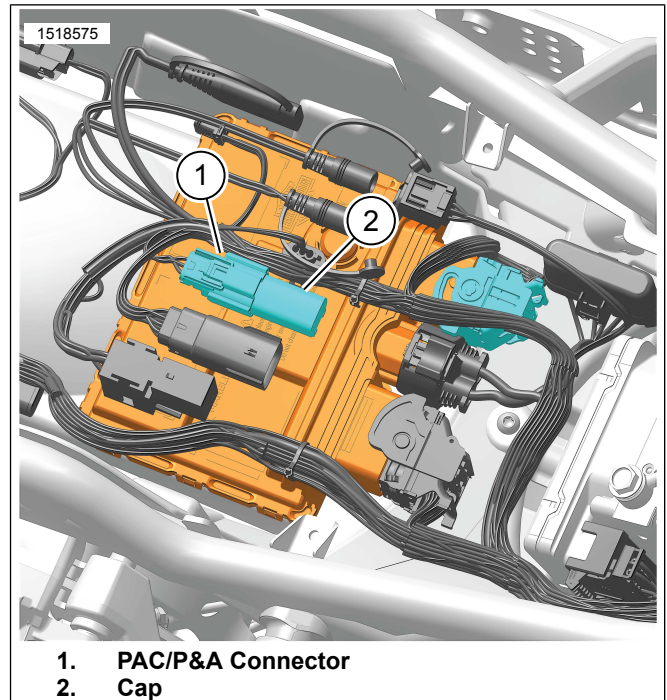
1. Screw
2. Pivot cover

Figure 6. Install/Remove Pivot Cover (left side shown)



1. Connector: Left auxiliary lamp
2. Connector: Auxiliary jumper harness
3. Connector: Main harness left auxiliary lamp
4. Connector: PAC/P&A
5. Main harness center
6. Connector: Switch pack
7. Connector: Main harness right auxiliary lamp
8. Connector: Auxiliary jumper harness
9. Connector: Right auxiliary lamp

Figure 7. PAC/P&A Connector



1. PAC/P&A Connector
2. Cap

Figure 8. PAC/P&A Connector

## Touring Harness

### NOTE

See service manual for wire harness and connector information.

If another accessory is already using the accessory circuit connector, purchase a Switched Circuit Adapter Harness. See Installation Requirements.

1. Install main harness.
  - a. See Figure 1. Lay main harness (5) in backbone caddy.
  - b. See Figure 7. Position main harness center (5) so that it exits the top of the backbone caddy.
  - c. Route switch pack connector (6) toward left of steering head.
  - d. Route PAC/P&A connector (4) toward rear of vehicle.
2. Connect PAC/P&A connectors.
  - a. Route PAC/P&A connector (4) toward vehicle's PAC/P&A connector. See service manual.
  - b. Remove cap from PAC/P&A connector.
  - c. See Figure 7. Connect PAC/P&A connector (4) to vehicle's PAC/P&A connector.
3. Secure PAC/P&A harness with cable straps.
  - a. Make sure harness will not get pinched when vehicle components get installed.
  - b. Bundle any extra harness length at the base of the backbone caddy.

4. See Figure 7. Route and connect switch pack connector (6) to switch pack.
  - a. Follow vehicle's OE harness.
  - b. Verify that harness is not pinched during fork lock motions.
  - c. Secure harness with cable straps.
5. Route connector (3) toward left of steering head frame.
6. Route connector (7) toward right of steering head frame.
7. See Figure 7. Install jumper harnesses.
  - a. **Left jumper harness:** Connect connectors (2 & 3).
  - b. **Right jumper harness:** Connect connectors (7 & 8).
8. Route harnesses toward respective auxiliary lamp.
9. Connect jumper harnesses to auxiliary lamp.
  - a. **Left auxiliary lamp:** Connect connector (1).
  - b. **Right auxiliary lamp:** Connect connector (9).
10. Secure auxiliary lamp harness with cable straps.
  - a. Check fork movement is free.
  - b. Check for pinched harness.

## INSTALL (2024 RA1250S Only)

### NOTE

*Operation of lamps is restricted based on market:*

- **International models:** Driving lamp is disabled and can not be enabled.
- **Domestic models:** Factory default disables fog lamp when high beams are active.
- See a Harley-Davidson dealership for Body Control Module (BCM) configuration allowing independent beam operation if legal.

## Fog Lamps Wire Harness

1. See Figure 9. Install fog lamp wire harness.
  - a. Route harness into position.
  - b. Connect connectors (1,3).
  - c. Install anchored cable straps (2) securing jumper harnesses (7,9) with front turn signal cables.
  - d. **Left jumper harness:** Install cable strap (4) securing left jumper harness (7) to clutch cable (5).
  - e. Install cable straps (6) securing jumper harnesses with front turn signal cables.
  - f. Install retainers if removed.
  - g. Install cable straps (8).



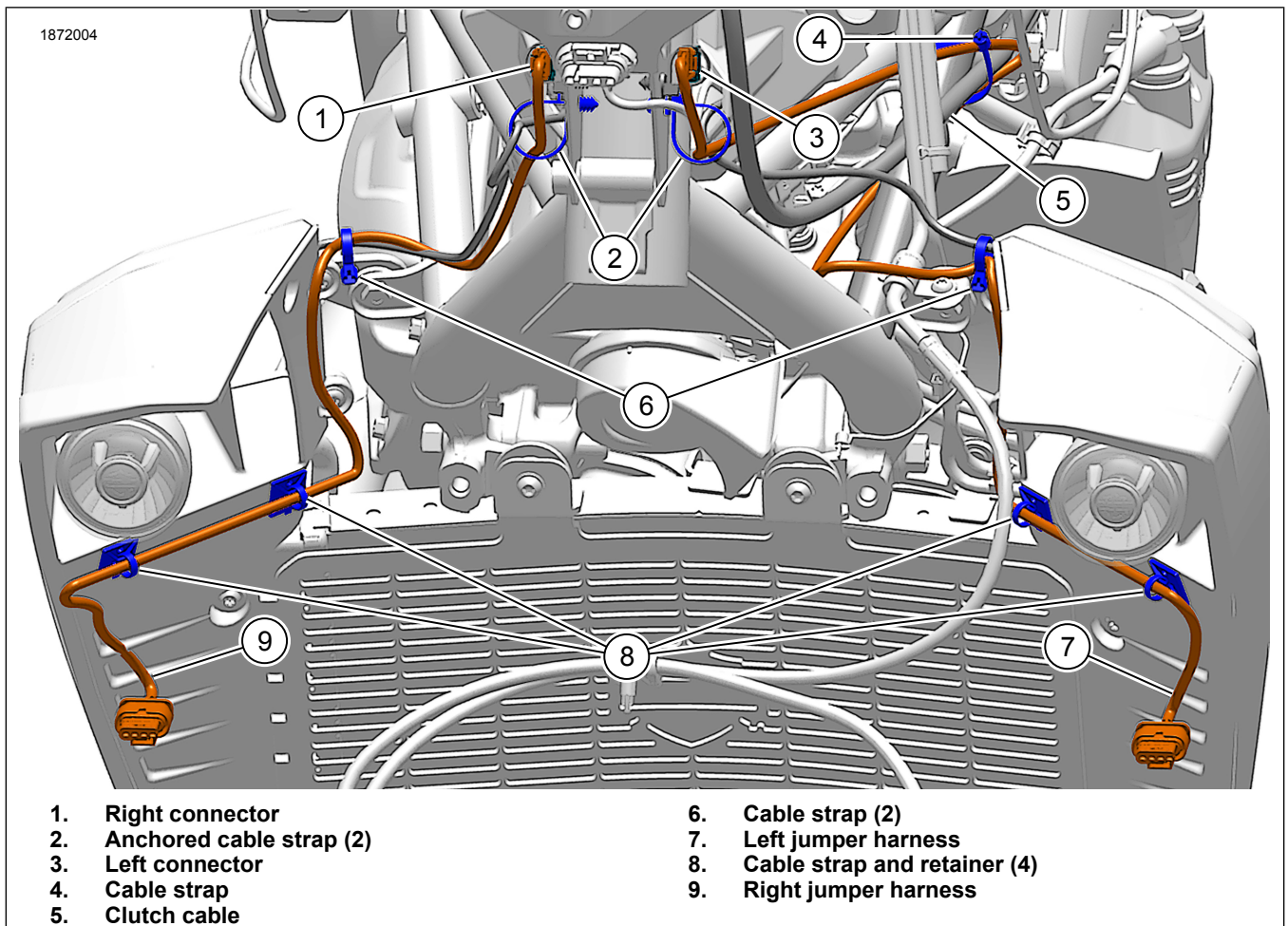


Figure 9. Fog Lamp Jumper Wires

## Fog Lamps

### NOTE

See 2024 Pan America S (RA1250S) requirements in Installation Requirements.

1. See Figure 10. Install mounting bracket.
  - a. Align tab (3) on mounting bracket with slot on engine guard.
  - b. Install mounting screw (2). Tighten.  
Torque: 9.5–12.5 N·m (84–111 **in-lbs**) Fog lamp, mounting bracket, screw
2. Install fog lamp.
  - a. Install fog lamp (5) in bracket (6).
  - b. Install adjustment screw (1). Do not tighten.
  - c. Adjust lamp to desired angle.
  - d. Tighten adjustment screw (1).  
Torque: 21.5–26.5 N·m (190–235 **in-lbs**) Fog lamp, adjustment screw
3. Hold fog lamp and connect connector (4).

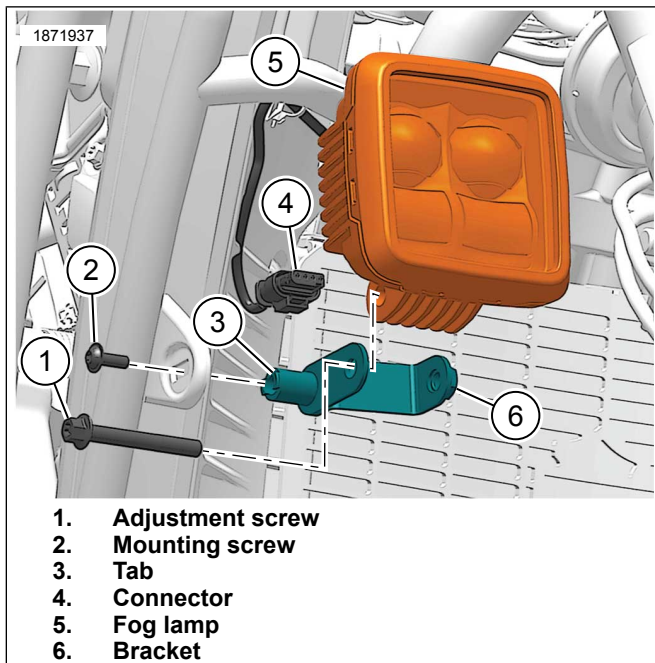


Figure 10. Fog Lamp

## Operation

See Figure 11. With low beam active, press and hold the navigate up (2) until fog light control appears on IM. Release button and press again to switch between on and off. Press OK/enter (9) to exit menu.

When the fog lamps are on, the fog lamps indicator is displayed on the IM.

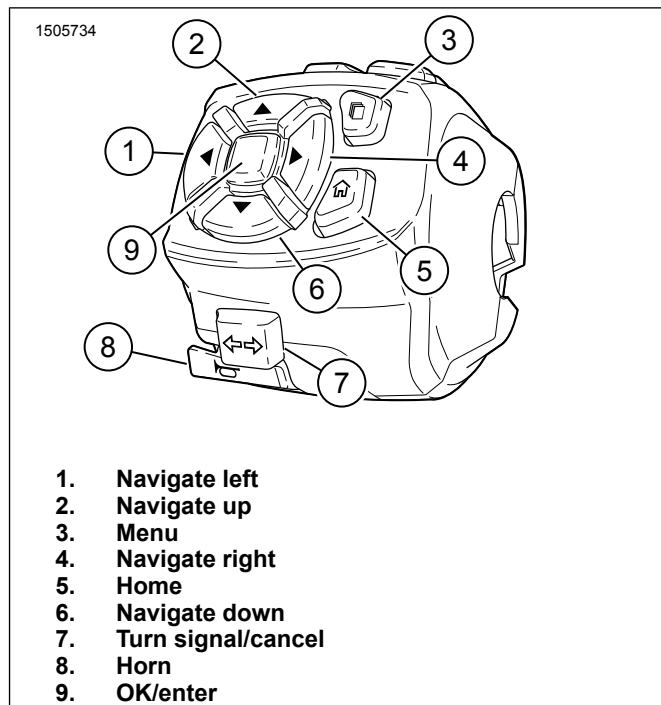


Figure 11. LHCM - Bottom

1. **Navigate left**
2. **Navigate up**
3. **Menu**
4. **Navigate right**
5. **Home**
6. **Navigate down**
7. **Turn signal/cancel**
8. **Horn**
9. **OK/enter**

## COMPLETE

1. **Touring:** Install backbone caddy cover. See service manual.
2. **Pan America (except 2024 RA1250S):** Install air box. See service manual.
3. Install fuel tank (except 2024 RA1250S). See service manual.
4. Install seat (except 2024 RA1250S). After installing seat, pull up on seat to verify that it is secure. See service manual.
5. Install fairing (2024 RA1250S). See service manual.
6. Install main fuse. See service manual.
7. **2024 RA1250S:** Activate fog lamps.
  - a. Driving and fog lamps can be enabled and disabled using the IM menu.
  - b. **Select:** Settings
  - c. **Navigate:** Ride Customization
8. Proceed to Lamp Alignment.

## LAMP ALIGNMENT

1. Check tire pressure.
2. Adjust shock preload for rider and intended load.
3. Fill fuel tank or add an equal amount of ballast.

4. Check vehicle headlamp alignment. See service manual.
5. Check auxiliary lamp alignment.
  - a. Turn on vehicle's engine.
  - b. Make sure vehicle's headlamp is set to low beam.
  - c. See Figure 12. Turn on auxiliary low beams, align all three beams.
  - d. Turn on auxiliary high beams, align both beams to each other.
  - e. Make sure auxiliary lamp low beam is still aligned with vehicle headlamp low beam.
6. Once alignment is complete, tighten screws.
  - a. **All Except 2024 RA1250S:**  
Torque: 27–30 N·m (20–22 ft-lbs)
  - b. **2024 RA1250S Only:**  
Torque: 21.5–26.5 N·m (16–20 ft-lbs)

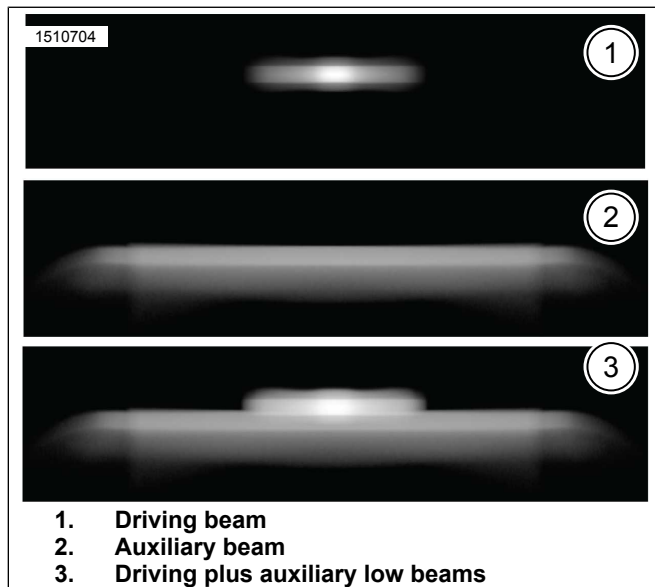


Figure 12. Auxiliary Lamp Install