



INSTRUCTIONS

94100607

2024-07-02



HARLEY-DAVIDSON AUDIO POWERED BY ROCKFORD FOSGATE SECONDARY SUBWOOFER KIT

GENERAL INFORMATION

Table 1. General Information

Kits	Suggested Tools	Skill Level ⁽¹⁾
76001377	Safety Glasses, Torque Wrench	

(1) Tightening to torque value or other moderate tools and techniques required

KIT CONTENTS

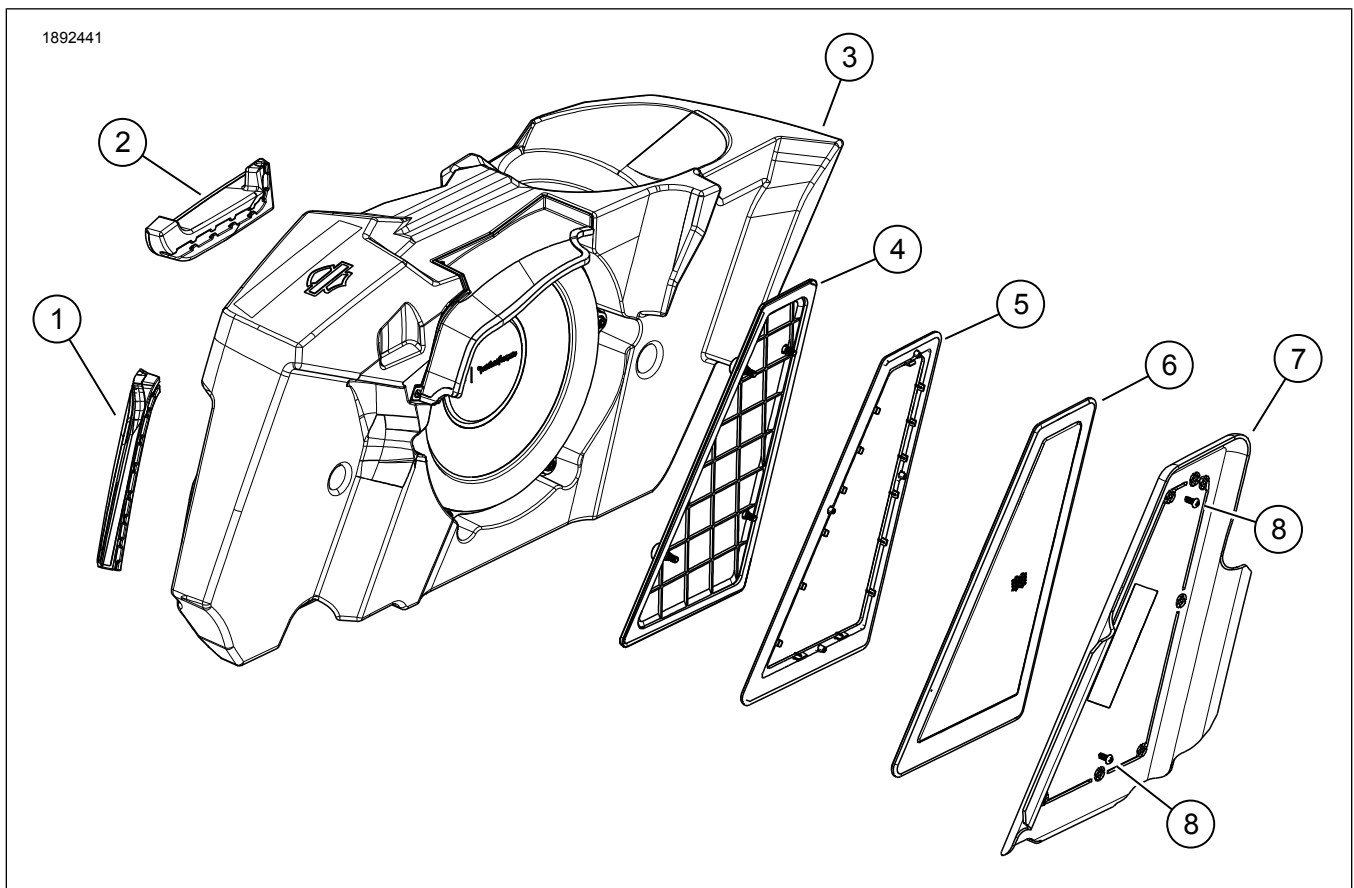


Figure 1. Kit Contents: Harley-Davidson Audio By Rockford Fosgate Secondary Subwoofer Kit (Left Saddlebag)

Table 2. Kit Contents: Harley-Davidson Audio By Rockford Fosgate Secondary Subwoofer Kit (Left Saddlebag)

<input checked="" type="checkbox"/> Verify that all contents are present in the kit before installing or removing items from vehicle.					
<input type="checkbox"/>	Item	Qty	Description	Part No.	Notes
<input type="checkbox"/>	1	1	Wire guide, left rear	not sold separately	labeled 69203552
<input type="checkbox"/>	2	1	Wire guide, left center	not sold separately	labeled 69203551
<input type="checkbox"/>	3	1	Subwoofer assembly, left	not sold separately	
<input type="checkbox"/>	4	1	Inner block off panel	76001414	includes thumb screws
<input type="checkbox"/>	5	1	Inner bezel, left	76001419	
<input type="checkbox"/>	6	1	Grille, left	76001415	
<input type="checkbox"/>	7	1	Template, left	76001418	
<input type="checkbox"/>	8	2	Screw	not sold separately	

GENERAL

Models

For model fitment information, see the Parts and Accessories (P&A) Retail Catalog or the Parts and Accessories section of www.harley-davidson.com.

Verify that the most current version of the instruction sheet is used. It is available at: h-d.com/isheets

Contact Harley-Davidson Customer Support Center at 1-800-258-2464 (U.S. only) or 1-414-343-4056.

Electrical Overload

⚠ WARNING

When installing any electrical accessory, be certain not to exceed the maximum amperage rating of the fuse or circuit breaker protecting the affected circuit being modified. Exceeding the maximum amperage can lead to electrical failures, which could result in death or serious injury. (00310a)

NOTICE

It is possible to overload the vehicle's charging system by adding too many electrical accessories. If the combined electrical accessories operating at any one time consume more electrical current than the vehicle's charging system can produce, the electrical consumption can discharge the battery and cause damage to the vehicle's electrical system. (00211d)

Installation Requirements

⚠ WARNING

Rider and passenger safety depend upon the correct installation of this kit. Use the appropriate service manual procedures. If the procedure is not within your capabilities or you do not have the correct tools, have a Harley-Davidson dealer perform the installation. Improper installation of this kit could result in death or serious injury. (00333b)

This instruction sheet references service manual information. A Service Manual and Electrical Diagnostic Manual (EDM) for the year and model motorcycle is required for this installation.

These items are available at your local Harley-Davidson dealership.

- Separate purchase of a Primary Subwoofer Installation Kit (Part No. 76001302) is required for this installation.
- Separate purchase of a Secondary Amplifier Kit (Part No. 76001444) is required for this installation.
- Separate purchase of a Primary Subwoofer Kit (Part No. 76001376) is required for this installation.
- Separate purchase of a Secondary Subwoofer Installation Kit (Part No. 69203434) is required for this installation.

Installation by a technician at a Harley-Davidson dealership is recommended.

To ensure proper audio performance, speaker set up in the Infotainment Control Unit (IFCU) **OR** Digital Technician II (DT II) is required for audio configuration and amplifier firmware update.

PREPARE

NOTE

Installation of Secondary Amplifier Kit (Part No. 76001444), Primary Subwoofer Installation Kit (Part No. 76001302), Primary Subwoofer kit (Part No. 76001376) and Secondary Subwoofer Installation Kit (Part No. 69203434) is required prior to installing this Subwoofer Kit.

1. Disable security system (if equipped). See service manual.
2. Remove left saddlebag. See service manual.
3. Remove left side cover. See service manual.
4. Remove main fuse. See service manual.

SADDLEBAG MODIFICATION

Left Saddlebag

1. See Figure 2. Position drill template on left saddlebag.
 - a. Mask off entire drill template (2) area on left saddlebag (1) with masking tape.
 - b. Install drill template (2).
 - c. Secure entire perimeter of drill template (2) with tape.
 - d. Install tapping screws (3) to hold down drill template (2).

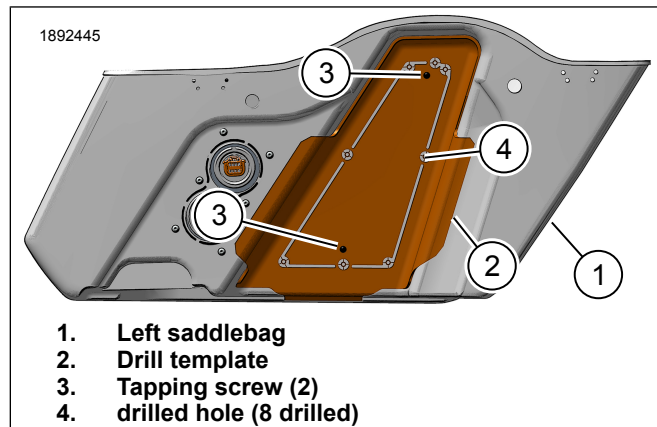


Figure 2. Left Saddlebag Drill Template

2. Using a marker, trace drill template outline onto saddlebag's masking tape.
 - a. Remove screws securing drill template.
 - b. Remove drill template.
 - c. Drill Diameter: 3.175 mm (0.125 in) pilot holes in eight drill locations.
 - d. Drill Diameter: 12.7 mm (0.500 in) holes in eight drill locations.
 - e. Using an appropriate saw, cut along the perimeter of template outline.
 - f. Remove tape from saddlebag.
 - g. Deburr holes and template outline by lightly sanding the surface.

3. **NOTE**

When riding in rain, water will potentially come through the bezel grille. Drain hole is required for water drainage.

See Figure 3. Drill drainage hole (1) in the approximate location shown.

- a. Clean all surfaces of the body work with 50-70% isopropyl alcohol and 30-50% distilled water. Allow to dry completely.

- b. Apply masking tape to protect surfaces, drill Diameter: 6.35 mm (0.250 in) drainage hole.

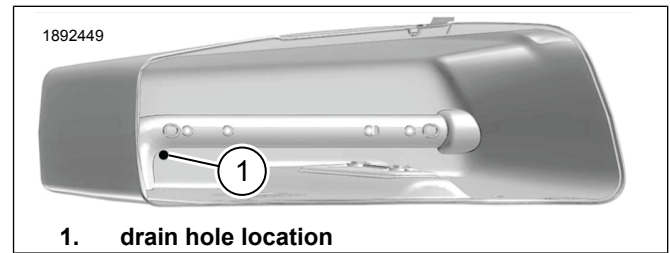


Figure 3. Left Saddlebag Drainage Hole Placement

4. See Figure 4. Remove masking tape and verify that inner and outer surface of saddlebag around opening is clean and dry.
 - a. Remove foam tape backing on grille assembly (4) and install into cut hole.
 - b. Insert inner bezel (3) into hole cut in saddlebag and snap subwoofer grill (4) onto tabs on inner bezel.
 - c. Make sure that components snap together completely, are centered in opening and seal against saddlebag wall.
 - d. **When subwoofer is not installed**, install inner block off panel (2) into inner bezel (3) and secure with thumb screws (1).

NOTE

DO NOT over tighten thumb screws.

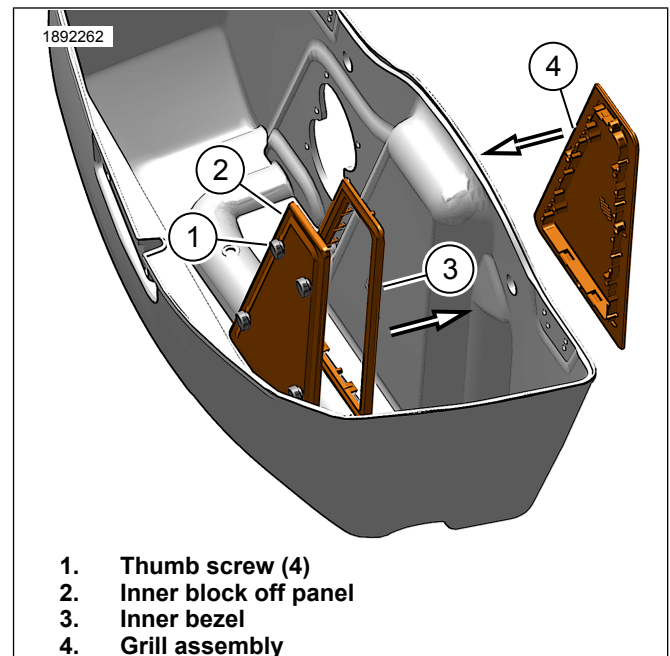


Figure 4. Install Bezel And Panel

Left Saddlebag Harness

1. Route and secure harnesses.
 - a. See Figure 5. Install left center wire guide (1) onto saddlebag bottom aligning with features near hinge mount.
 - b. Install left rear wire guide (2) onto saddlebag bottom outer wall, just forward of the rear wall as shown.

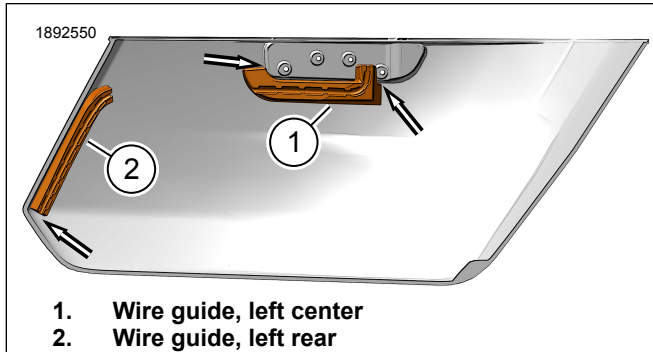


Figure 5. Wire Guide Placement

- c. See Figure 6. Install harness straight across rear of saddlebag, into rear wire guide (2) and forward into center wire guide (1) as shown.
- d. Subwoofer connector and speaker connectors will protrude out the top of the center guide (1) adequately to reach their connection points.

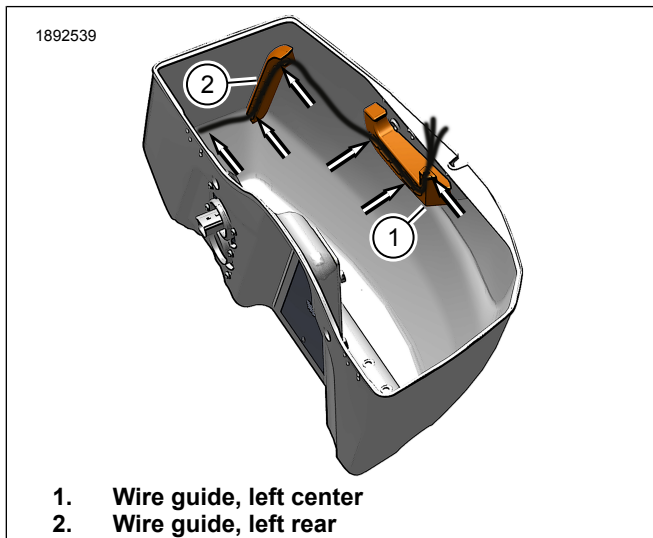


Figure 6. Internal Wire Harness Route

INSTALL SUBWOOFER

NOTE

Remove inner block off panel before installing subwoofer.

1. See Figure 7. Install subwoofer (1) into saddlebag (3).
 - a. Install wire harness subwoofer connector into subwoofer connector (2).
 - b. Connect saddlebag speakers and power locks (if equipped).

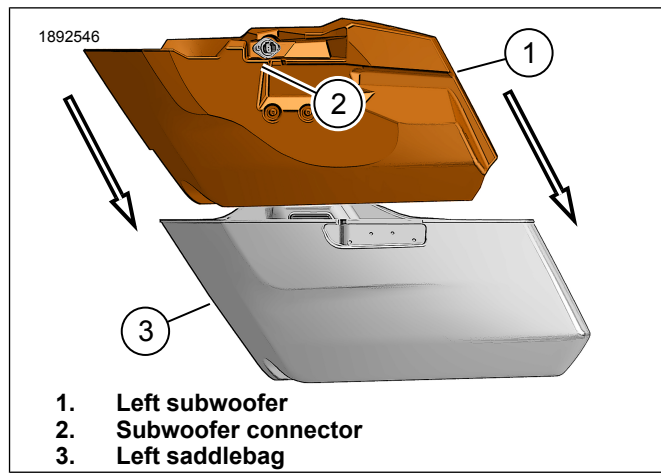


Figure 7. Install Subwoofer

COMPLETE

NOTE

To prevent possible damage to the sound system, verify that the ignition is OFF before installing the main fuse.

NOTE

Complete installation of all audio kits prior to performing the following operations.

1. Install seat. After installing seat, pull up on the seat to verify that it is secure. See service manual.
2. Install main fuse. See service manual.
3. Install side covers. See service manual.
4. Install saddlebags. See service manual.

CONFIGURE

1. Put vehicle in accessory mode.
2. On the Infotainment Control Unit (IFCU):
 - a. Select: Settings icon.
 - b. Select: Sounds Settings.
 - c. Select: Speaker Setup.
 - d. Confirm in dialogue box.
 - e. Select: Speaker Configuration.
 - f. Select: Speaker Stage.
 - g. Follow on screen prompts.
3. Turn power off for 60 seconds.
4. Turn power back on.