



# INSTRUCTIONS

94100158

2021-02-04



## STAGE I & II SPEAKER KIT - FRAME MOUNTED FAIRING (PN 76000982 AND 76000983)

### GENERAL

#### NOTE

The QR code can only be scanned in the Harley-Davidson audio app.

The newly installed audio system and speakers will not play audio unless it is configured using the Harley-Davidson audio app or by an authorized Harley-Davidson dealership.



earlier Harley-Davidson audio systems **WILL permanently damage those systems.**

For model fitment information, see the P&A retail catalog or the Parts and Accessories section of [www.harley-davidson.com](http://www.harley-davidson.com) (English only).

Ensure you are using the most current version of the instruction sheet which is available at: [h-d.com/isheets](http://h-d.com/isheets)

Contact Harley-Davidson Customer Support Center at 1-800-258-2464 (U.S. only) or 1-414-343-4056.

Table 1.

Harley-Davidson Audio Powered by Rockford Fosgate®	
Kit	QR Code
76000982 (Stage I)	
76000983 (Stage II)	

### Installation Requirements

Download Harley-Davidson mobile app.

These items are available at your Harley-Davidson dealership.

- **2014 and Later FLTRUSE and Touring:** Separate purchase of Harley-Davidson Primary Amplifier and Dongle Kit (Part No. 76000997) is required for this installation.
- **2014 and Later FLTRUSE and Touring:** Separate purchase of Harley-Davidson Primary Amplifier Installation Kit (Part No. 76000974 or 76001045) is required for this installation.
- **2014 and Later FLTRUSE and Touring:** Separate purchase of Harley-Davidson Secondary Amplifier Installation Kit (Part No. 76000975) may be required for this installation. This depends if there are six or more speakers and how the amplifier channels are assigned.
- **2014 and Later Touring:** Separate purchase of Harley-Davidson Fairing Speaker Harness Install Kit (Part No. 76000992) may be required for this installation.
- **2015 and Later FLTRUSE:** Separate purchase of Harley-Davidson Fairing Speaker Harness Install Kit (Part No. 76001100) may be required for this installation.

#### NOTE

The various generations of speakers, amplifiers and wiring for Harley-Davidson vehicles were not designed or tested to work together. Please refer to the P&A catalog for fitment recommendations and consult your dealership to ensure optimal performance and compatibility.

The Harley-Davidson Audio Powered by Rockford Fosgate speakers are acoustically optimized to work together with speakers of the same stage level (I or II). The speaker's output signals are assigned by the APP including location and stage level. If speaker output assignments, stage numbers and locations, are incorrectly configured, damage will not occur, but diminished performance should be expected.

### Models

#### NOTE

These speakers are for use **ONLY** on **2014 and later** Harley-Davidson audio systems. Using these speakers on **2006-2013** Harley-Davidson audio systems **WILL permanently damage these speakers.** Using these speakers on **2005 or**

### ⚠ WARNING

Rider and passenger safety depend upon the correct installation of this kit. Use the appropriate service manual procedures. If the procedure is not within your capabilities or you do not have the correct tools, have a Harley-Davidson dealer perform the installation. Improper installation of this kit could result in death or serious injury. (00333b)

Installation by a technician at a Harley-Davidson dealership is recommended.

### Kit Contents

See Figure 9 and Refer to Table 2.

## PREPARE

### ⚠ WARNING

To prevent accidental vehicle start-up, which could cause death or serious injury, remove main fuse before proceeding. (00251b)

#### NOTE

This instruction sheet references service manual information. A service manual for this year/model motorcycle is required for this installation. One is available from a Harley-Davidson dealer.

1. Remove left saddlebag.
2. Remove left side cover.

#### 3. NOTE

**Models with security:** Disable security system.

Remove main fuse.

4. Remove OEM speaker grilles and discard.

## REMOVE

1. See Figure 1. Remove screws (1) and discard.
2. Gain access to speaker connectors (2) and disconnect.
3. Remove OEM speaker (3) from enclosure.
4. Repeat steps 1-3 for opposite side.

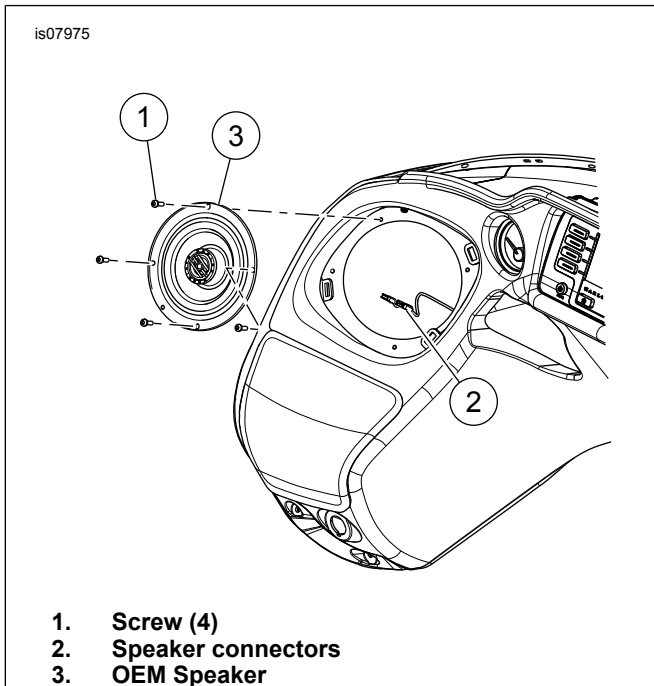


Figure 1. Speaker Enclosure Removal (Left Side Shown)

## INSTALL

#### NOTE

See Figure 9. The **new** speaker grilles are side-specific. The Bar and Shield logos are oriented toward the inboard.

- Verify proper orientation of the Bar & Shield emblem before proceeding.

1. See Figure 9. Install speaker (2, 5 or 3, 4) into enclosure.
  - a. See Figure 3. Orient speaker to enclosure.
  - b. See Figure 2. Connect speaker connectors (5).

#### NOTE

Different size spade contacts prevent improper assembly.

- c. Install speaker (3) to enclosure using alignment pin (4).
  - d. Install screws (2). Tighten.  
Torque: 1–1.5 N·m (9–13 in·lbs)
2. Install speaker grille (1) using tabs (6, 7).
  3. Repeat steps 1-2 for opposite side.

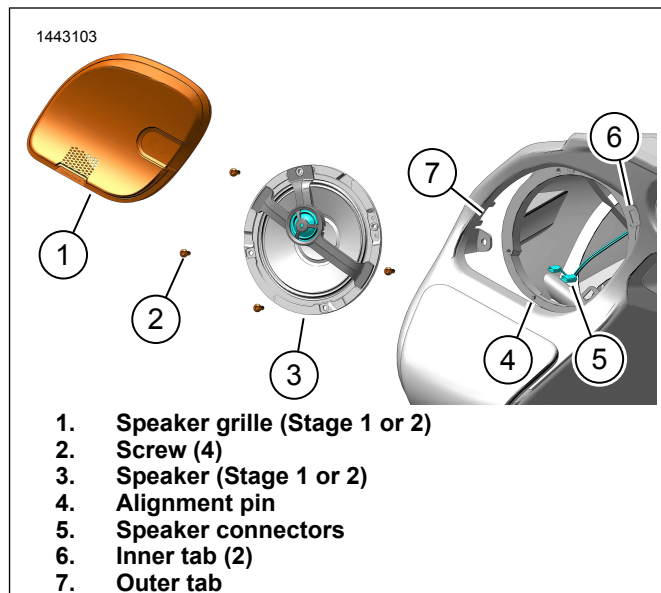


Figure 2. Speaker Enclosure Installation (Left Side Shown)

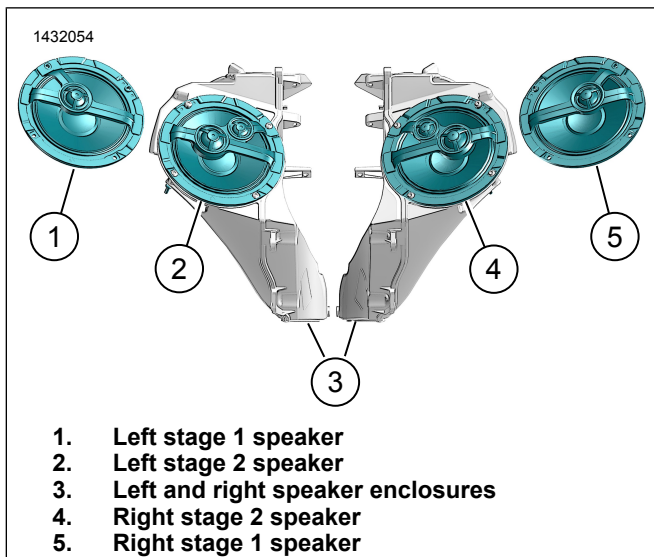


Figure 3. Speaker Orientation (Typical)

## COMPLETE

### NOTE

To prevent possible damage to the sound system, verify that the ignition is OFF **before** installing the main fuse.

1. Install main fuse.
2. Turn the ignition ON, but do not start the motorcycle.
3. Make sure that all speakers are working and front/rear fader function is operating correctly. If not, check speaker wiring.
4. Install left side cover.
5. Install left saddlebag.

## APP SETUP

1. See Figure 4. Accessing your audio system.
  - a. Pair device (1) to system.
  - b. Access app menus (2) to setup vehicle sound system.

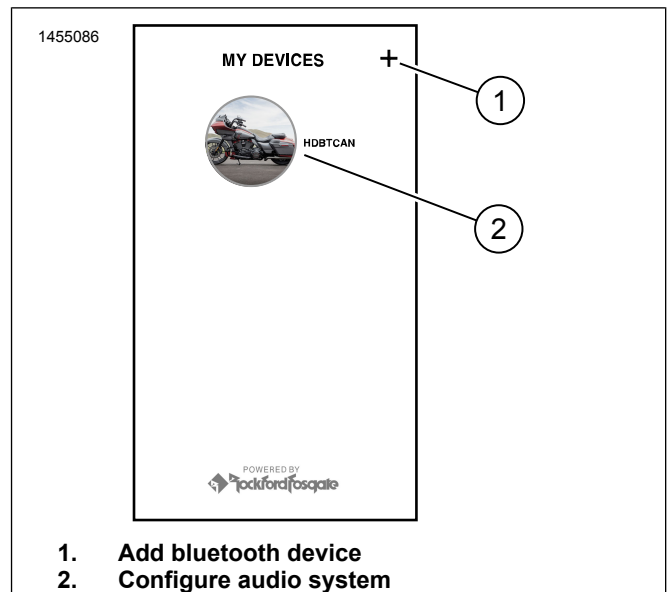


Figure 4. System Access

2. See Figure 5. Main menu screen.
  - a. Main menu icon (1).
  - b. Reset or change security personal identification number (PIN) (2).
  - c. Edit and rename your system (3).
  - d. Customize main menu with your bike picture (4).
  - e. Bluetooth connection indicator. Slash through symbol indicates: Not Connected (5).

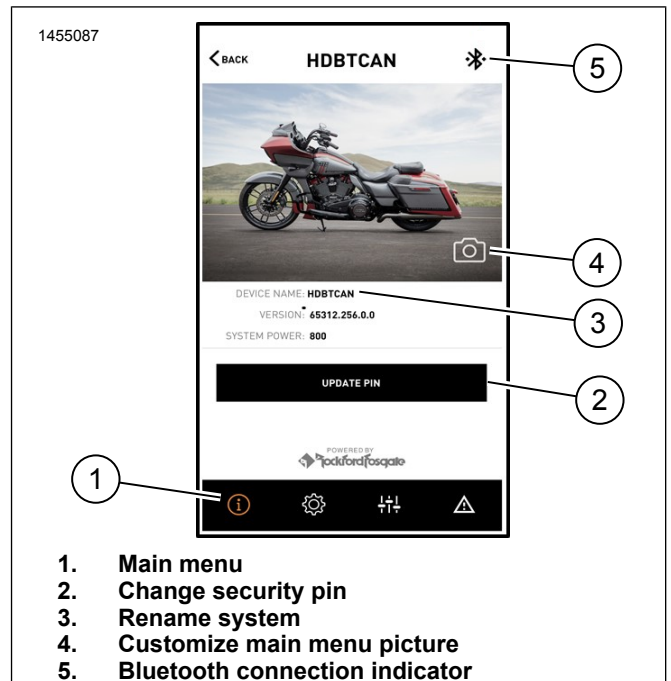
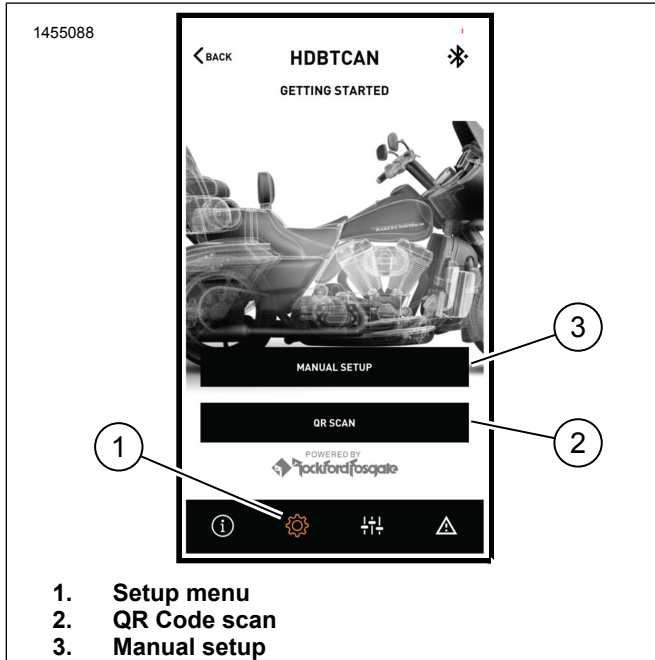


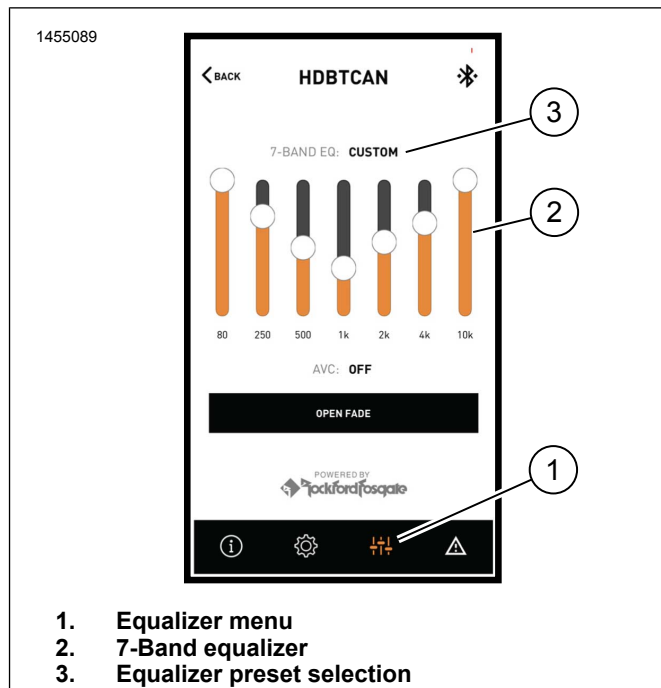
Figure 5. Main Menu

3. See Figure 6. Setup menu screen.
  - a. Setup menu icon (1).
  - b. Use to scan QR code (2) on iSheet.
  - c. Manual setup for Stage 1 or 2 speakers, speaker location and white noise to assign speaker locations.



**Figure 6. Setup Menu**

4. See Figure 7. Equalizer setup screen.
  - a. Equalizer setup icon (1)
  - b. Tune 7-Band equalizer (2) frequencies.
  - c. Custom or preset equalizer selections (3).



**Figure 7. Equalizer Menu**

5. See Figure 8. Diagnostic menu screen.
  - a. Diagnostic menu icon (1) displays sound system status.
  - b. Open the speaker testing screen (2).
  - c. Refreshes speaker and amplifier status (3) after component repair.
  - d. Select speaker for white noise (4) test and functionality.
  - e. Return to diagnostic menu screen (5).

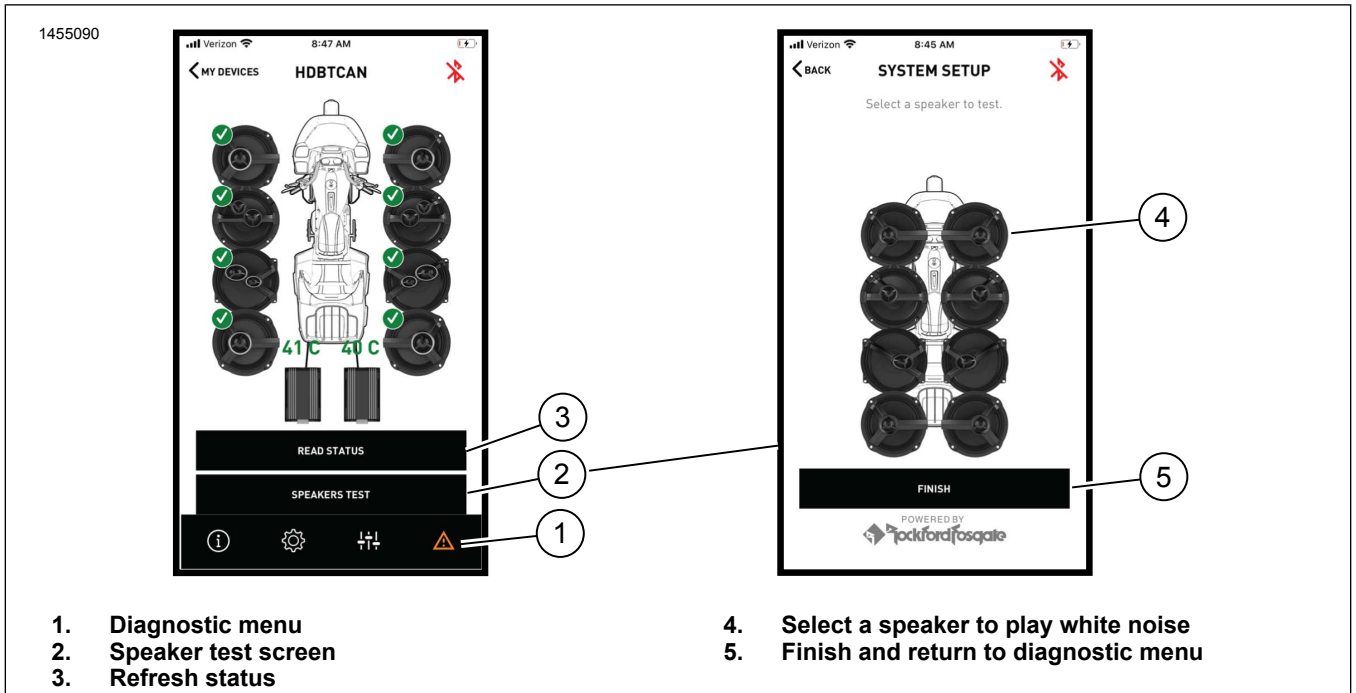


Figure 8. Diagnostic Menu

SERVICE PARTS

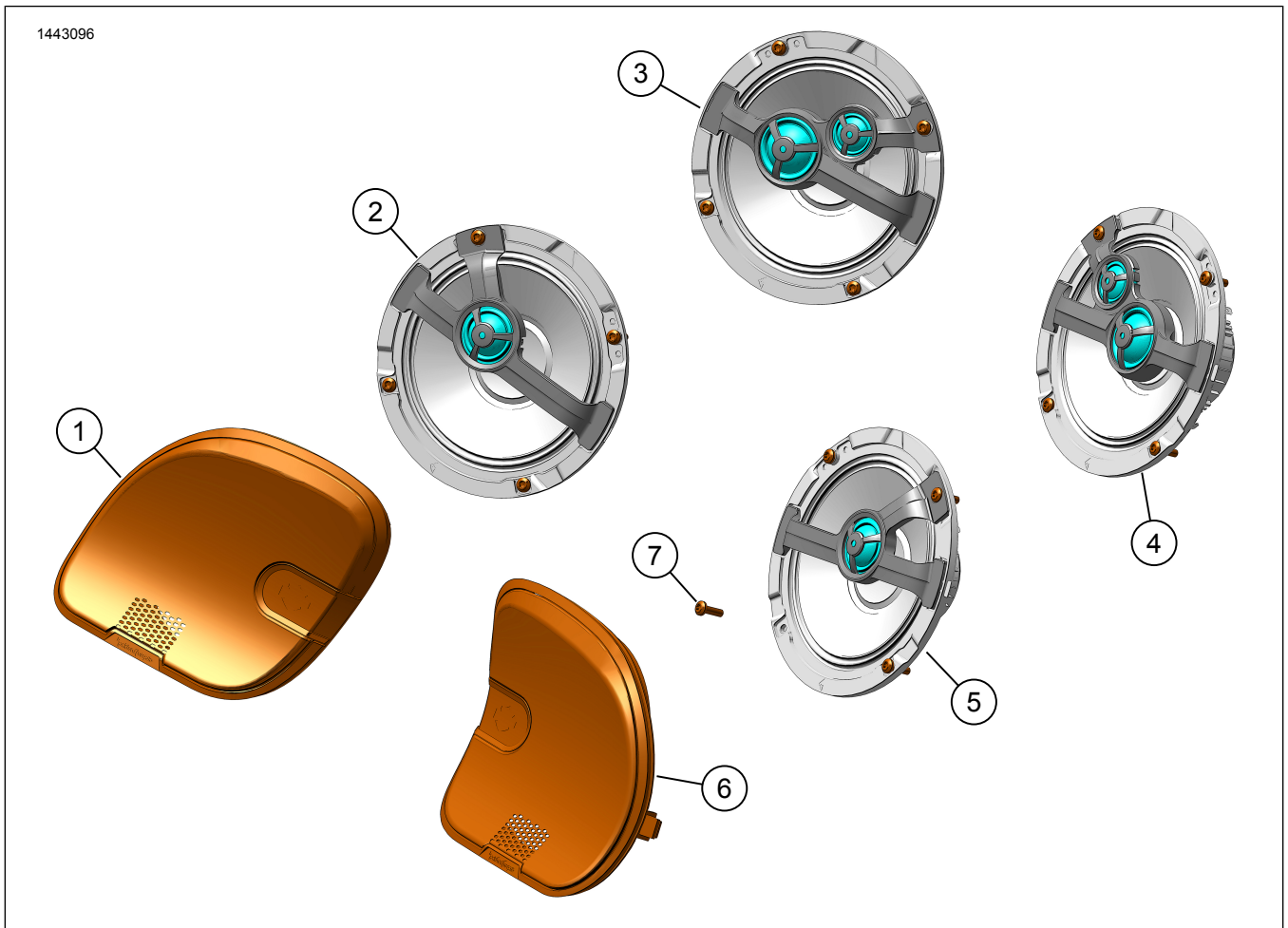


Figure 9. Service Parts, Boom! Audio 6.5 in Front Fairing Speaker Kit

**Table 2. Service Parts**

<b>Item</b>	<b>Description (Quantity)</b>	<b>Part Number</b>	<b>Kit Number</b>
1	Speaker grille, left, stage 1	76001020	76000982
	Speaker grille, left, stage 2	76001022	76000983
2	Speaker, left, stage 1	76000998	76000982
3	Speaker, left, stage 2	76000999	76000983
4	Speaker, right, stage 2	76001011	76000983
5	Speaker, right, stage 1	76001010	76000982
6	Speaker grille, right, stage 1	76001021	76000982
	Speaker grille, right, stage 2	76001023	76000983
7	Screw, self-tapping, button head (8)	10201096	76000982, 76000983