



INSTRUCTIONS

94100157

2021-02-04



STAGE I & II SPEAKER KIT - FORK MOUNTED FAIRING (PN 76000980 AND 76000981)

GENERAL

NOTE

The QR code can only be scanned in the Harley-Davidson audio app.

The newly installed audio system and speakers will not play audio unless it is configured using the Harley-Davidson audio app or by an authorized Harley-Davidson dealership.



earlier Harley-Davidson audio systems WILL permanently damage those systems.

For model fitment information, see the P&A retail catalog or the Parts and Accessories section of www.harley-davidson.com (English only).

Ensure you are using the most current version of the instruction sheet which is available at: h-d.com/isheets

Contact Harley-Davidson Customer Support Center at 1-800-258-2464 (U.S. only) or 1-414-343-4056.

Table 1.

Harley-Davidson Audio Powered by Rockford Fosgate®	
Kit	QR Code
76000980 (Stage I)	
76000981 (Stage II)	

Installation Requirements

Download Harley-Davidson audio app.

These items are available at your Harley-Davidson dealership.

- **2014 and Later FLHTKSE and Touring:** Separate purchase of Harley-Davidson Primary Amplifier and Dongle Kit (Part No. 76000997) is required for this installation.
- **2014 and Later FLHTKSE and Touring:** Separate purchase of Harley-Davidson Primary Amplifier Installation Kit (Part No. 76000974 or 76001045) is required for this installation.
- **2014 and Later FLHTKSE and Touring:** Separate purchase of Harley-Davidson Secondary Amplifier Installation Kit (Part No. 76000975) may be required for this installation. This depends if there are six or more speakers and how the amplifier channels are assigned.
- **2014 and Later Tri Glide:** Separate purchase of Harley-Davidson Primary Amplifier Installation Kit (Part No. 76000976 or 76001046) is required for this installation.
- **2014 and Later Touring:** Separate purchase of Harley-Davidson Fairing Speaker Harness Install Kit (Part No. 76000992) may be required for this installation.
- **2014 and Later FLHTKSE:** Separate purchase of Harley-Davidson Fairing Speaker Harness Install Kit (Part No. 76001100) may be required for this installation.

NOTE

The various generations of speakers, amplifiers and wiring for Harley-Davidson vehicles were not designed or tested to work together. Please consult your dealership to ensure optimal performance and compatibility.

The Harley-Davidson Audio Powered by Rockford Fosgate speakers are acoustically optimized to work together with speakers of the same stage level (I or II). The speaker's output signals are assigned by the APP including location and stage level. If speaker output assignments, stage numbers and locations, are incorrectly configured, damage will not occur, but diminished performance should be expected.

⚠ WARNING

Rider and passenger safety depend upon the correct installation of this kit. Use the appropriate service manual procedures. If the procedure is not within your capabilities or you do not have the correct tools, have a Harley-Davidson dealer perform the installation. Improper installation of this kit could result in death or serious injury. (00333b)

Models

NOTE

These speakers are for use **ONLY** on **2014 and later** Harley-Davidson audio systems. Using these speakers on **2006-2013** Harley-Davidson audio systems **WILL permanently damage these speakers**. Using these speakers on **2005** or

Installation by a technician at a Harley-Davidson dealership is recommended.

Kit Contents

See Figure 9 and Table 2.

PREPARE

⚠ WARNING

To prevent accidental vehicle start-up, which could cause death or serious injury, remove main fuse before proceeding. (00251b)

NOTE

This instruction sheet refers to service manual information. A service manual for this year/model motorcycle is required for this installation. One is available from a Harley-Davidson dealer.

1. Remove left saddlebag.
2. Remove left side cover.

3. NOTE

Models with security: Disable security system.

Remove main fuse.

4. Remove outer fairing.
5. Remove windshield.

REMOVE

1. See Figure 1. Remove harness anchor (2) from each speaker enclosure (1). Retain all fasteners for installation.
2. Disconnect speaker connector (3) on each enclosure (1).

3. Disconnect vehicle connectors:
 - a. **Right side:** Disconnect power outlet connector (not shown).
 - b. **Left side:** CB-equipped models, disconnect CB and antenna connectors (not shown).

4. Remove screws (6) securing lower portion of enclosure (1) to fairing support bracket (5).

5. Remove screws (4) securing upper portion of enclosure (1) to upper support bracket (7).

6. NOTE

Do not remove any screws (10) securing speaker enclosure (1) halves together.

Remove screws (11) securing speaker enclosure (1) to inner fairing.

7. Remove four screws (13).

8. Disconnect wires (16).

9. Remove OEM speaker from enclosure.

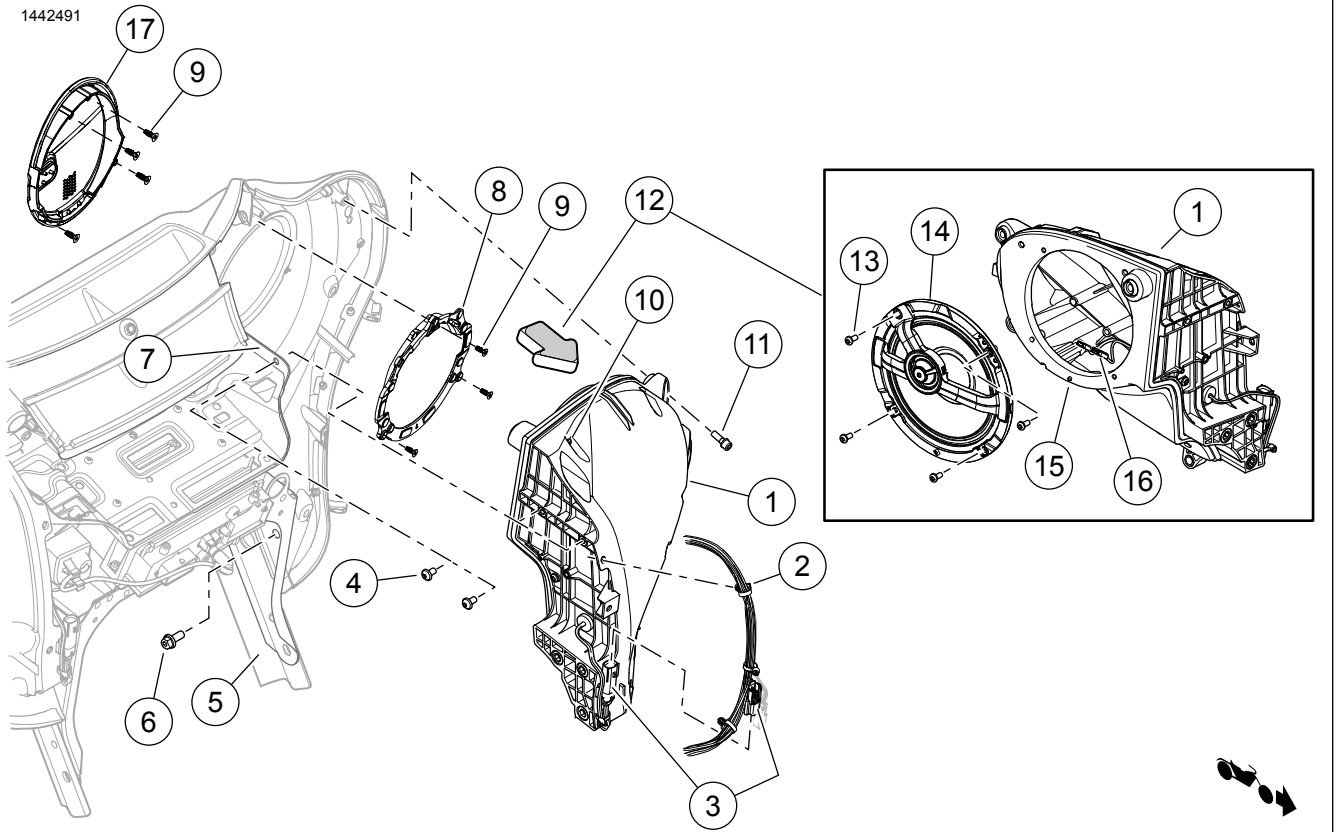
10. Remove screws (9).

11. Remove OEM speaker grille from inner fairing.

12. Repeat steps 4-11 for opposite side.

NOTE

Never operate the vehicle with the speaker enclosures removed. The enclosures provide important structural support to the fairing. Operating without the enclosures in place can result in damage to the fairing assembly.



- | | |
|---|--|
| <ul style="list-style-type: none"> 1. Speaker enclosure 2. Fairing harness anchor 3. Speaker connector 4. Screw, hex socket, 1/4-20 x 1/2 in (13 mm) long (2) 5. Fairing support bracket 6. Screw, hex head socket, 5/16-18 x 3/4 in (19 mm) long (3) 7. Upper support bracket 8. Speaker grille assembly (Stage 1 or 2) 9. Flat head self-tapping screw (7) | <ul style="list-style-type: none"> 10. DO NOT remove these screws (13) 11. Screw, hex socket, 1/4-20 x 3/4 in (19 mm) long (3) 12. View in direction of arrow 13. Button head self-tapping screw (4) 14. Speaker (Stage 1 or 2) 15. Alignment pin 16. Speaker wire connectors 17. Speaker grille |
|---|--|

Figure 1. Speaker Enclosure (Left Side Shown)(Typical)

INSTALL

NOTE

See Figure 9. The **new** speaker grilles are side-specific. The Bar and Shield logos are oriented toward the inboard.

- Verify proper orientation of the Bar & Shield emblem before proceeding.

Speaker Grille Assembly

NOTE

Reference the Service Parts list for components.

Make sure the correct side specific grille retainer is being installed into the inner fairing. Otherwise, the speaker grille will not fit properly.

1. See Figure 2. Install grille retainer to inner fairing.
 - a. Install grille retainer (3) to inner fairing (1).
 - b. Install screws (4). Tighten.
Torque: 1–1.5 N·m (9–13 **in-lbs**) Grille retainer screw
2. See Figure 2. Install speaker grille to inner fairing.
 - a. Install speaker grille (2) to inner fairing (1).
 - b. Install screws (5). Tighten.
Torque: 1–1.5 N·m (9–13 **in-lbs**) Grille retainer screw

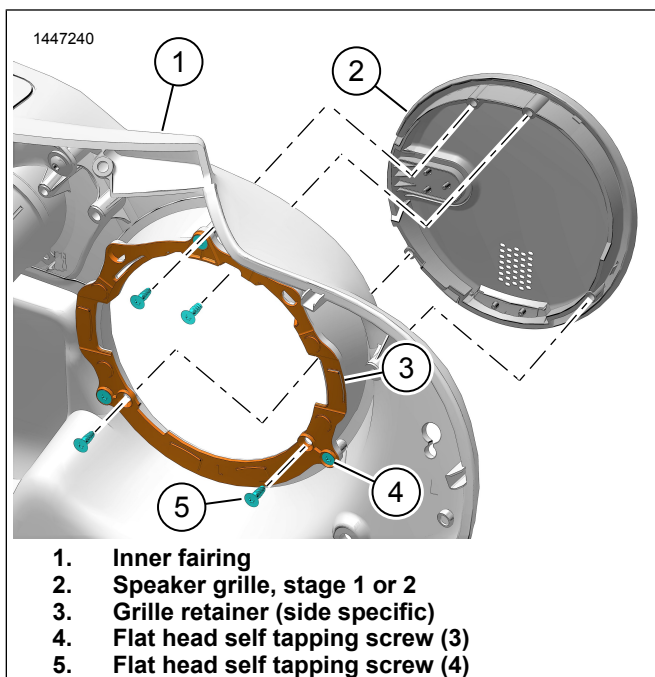


Figure 2. Speaker Grille Assembly

Speaker Install

1. See Figure 9. Install the correct speaker grille assembly (1 or 6).
 - a. See Figure 1. Install speaker grille assembly (8) to inner fairing.

- b. Install three screws (9). Tighten.
Torque: 1–1.5 N·m (9–13 **in-lbs**)
2. See Figure 9. Install speaker (3, 4 or 9, 10) into enclosure.
 - a. See Figure 3. Orient speaker to enclosure.
 - b. See Figure 1. Connect wires (16).

NOTE

Different size spade contacts prevent improper assembly.

- c. Install speaker (14) to enclosure (1) using alignment pin (15).
 - d. Install screws (13). Tighten.
Torque: 1–1.5 N·m (9–13 **in-lbs**)
3. Install speaker enclosure (1) to inner fairing.
 4. Install three screws (11). Tighten.
Torque: 5.4–6.8 N·m (48–60 **in-lbs**)
 5. Secure lower portion of enclosure (1) to the fairing support bracket (5).
 6. Install three screws (6). Tighten.
Torque: 27.1–32.5 N·m (20–24 **ft-lbs**)
 7. Secure upper portion of enclosure (1) to the upper support bracket (7).
 8. Install two screws (4). Tighten.
Torque: 5.4–6.8 N·m (48–60 **in-lbs**)
 9. Repeat steps 1-8 for opposite side.
 10. Connect vehicle connectors:
 - a. **Right side:** Connect power outlet connector (not shown).
 - b. **Left side:** CB-equipped models, connect CB and antenna connectors (not shown).
 11. Plug speaker connector (3) on each enclosure (1).
 12. See Figure 1. Install harness anchor (2) to each speaker enclosure (1).

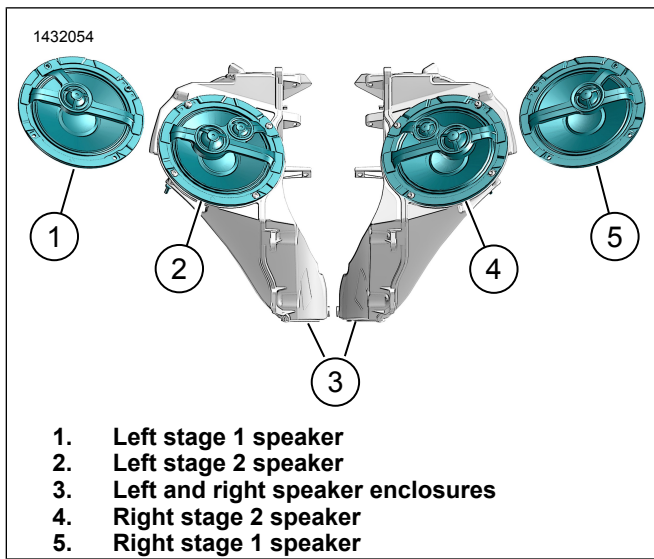


Figure 3. Speaker Orientation (Typical)

COMPLETE

NOTE

To prevent possible damage to the sound system, verify that the ignition is OFF **before** installing the main fuse.

1. Install main fuse.
2. Turn ignition ON, but do not start the vehicle.

NOTE

Before installing outer fairing, check that speakers are operating correctly. Understand that buzzing, squeaks and rattles may be heard until outer fairing is installed.

3. Make sure that all speakers are working and front/rear fader function is operating correctly. If not, check speaker wiring.
4. Install windshield.
5. Install outer fairing.
6. Install left side cover.
7. Install left saddlebag.

APP SETUP

1. See Figure 4. Accessing your audio system.
 - a. Pair device (1) to system.
 - b. Access app menus (2) to setup vehicle sound system.

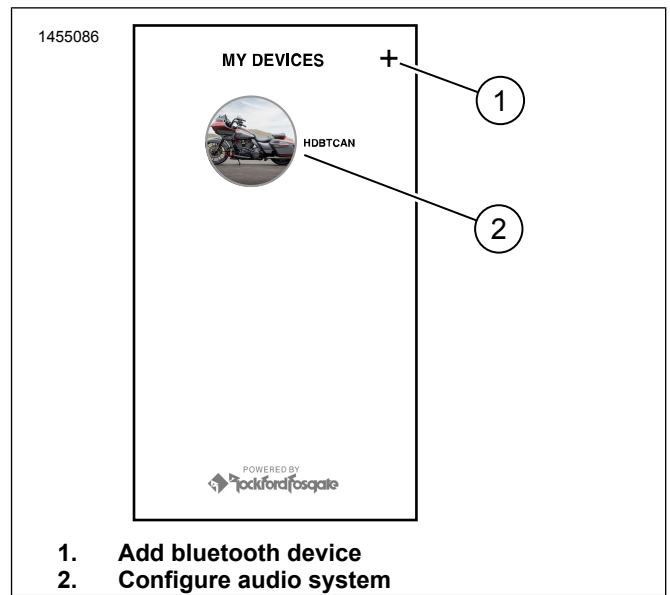


Figure 4. System Access

2. See Figure 5. Main menu screen.
 - a. Main menu icon (1).
 - b. Reset or change security personal identification number (PIN) (2).
 - c. Edit and rename your system (3).
 - d. Customize main menu with your bike picture (4).
 - e. Bluetooth connection indicator. Slash through symbol indicates: Not Connected (5).

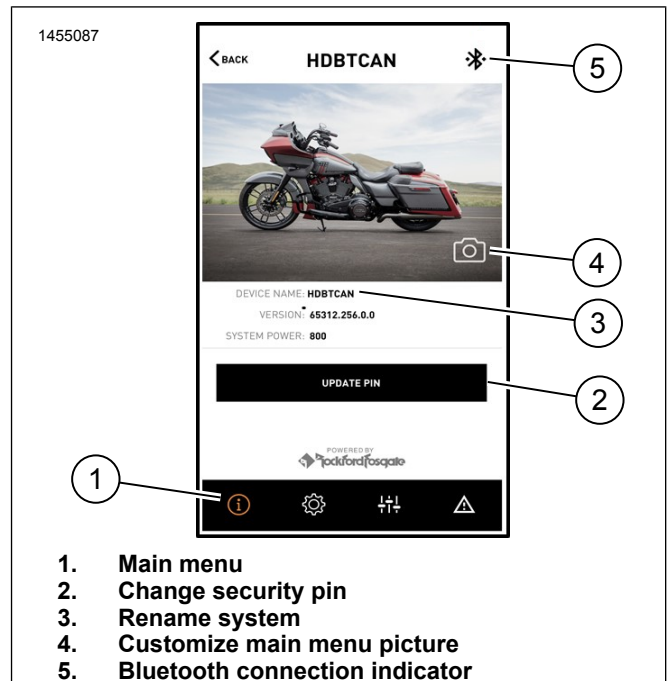


Figure 5. Main Menu

3. See Figure 6. Setup menu screen.
 - a. Setup menu icon (1).
 - b. Use to scan QR code (2) on iSheet.
 - c. Manual setup for Stage 1 or 2 speakers, speaker location and white noise to assign speaker locations.

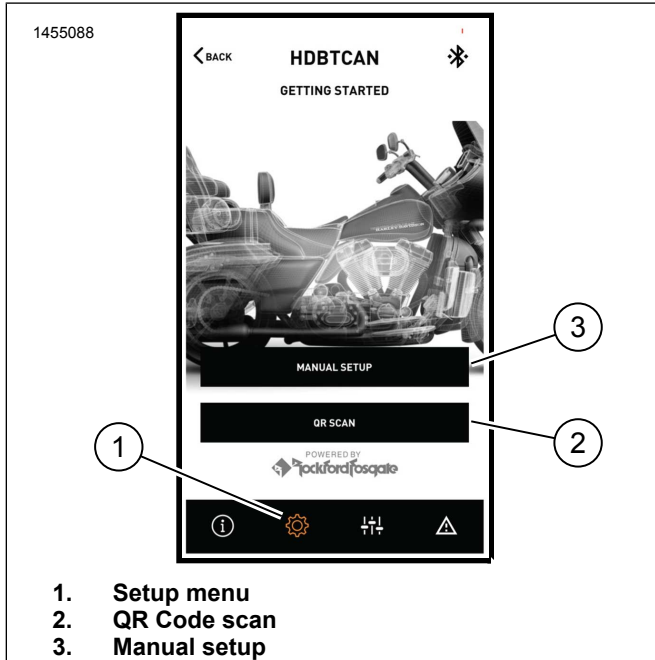


Figure 6. Setup Menu

4. See Figure 7. Equalizer setup screen.
 - a. Equalizer setup icon (1)
 - b. Tune 7-Band equalizer (2) frequencies.
 - c. Custom or preset equalizer selections (3).

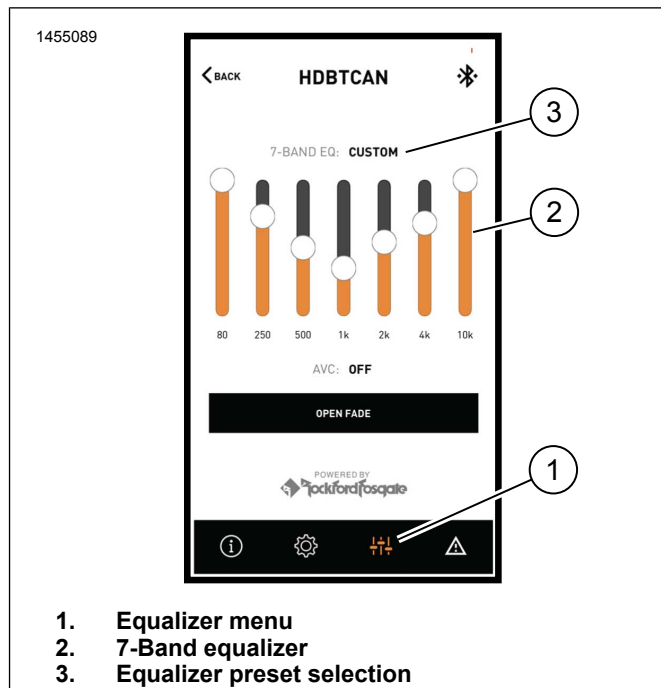
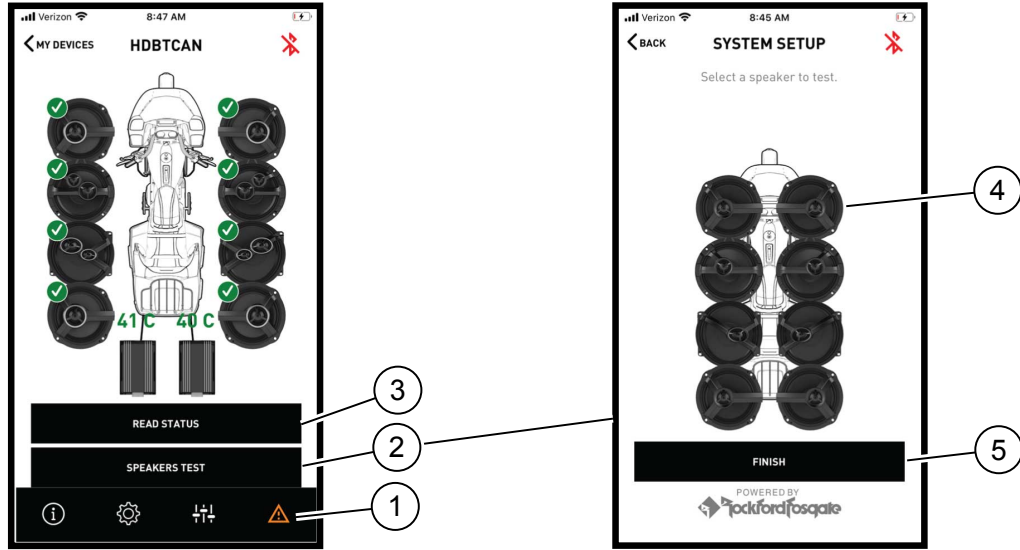


Figure 7. Equalizer Menu

5. See Figure 8. Diagnostic menu screen.
 - a. Diagnostic menu icon (1) displays sound system status.
 - b. Open the speaker testing screen (2).
 - c. Refreshes speaker and amplifier status (3) after component repair.
 - d. Select speaker for white noise (4) test and functionality.
 - e. Return to diagnostic menu screen (5).



- 1. Diagnostic menu
- 2. Speaker test screen
- 3. Refresh status

- 4. Select a speaker to play white noise
- 5. Finish and return to diagnostic menu

Figure 8. Diagnostic Menu

SERVICE PARTS

1442396

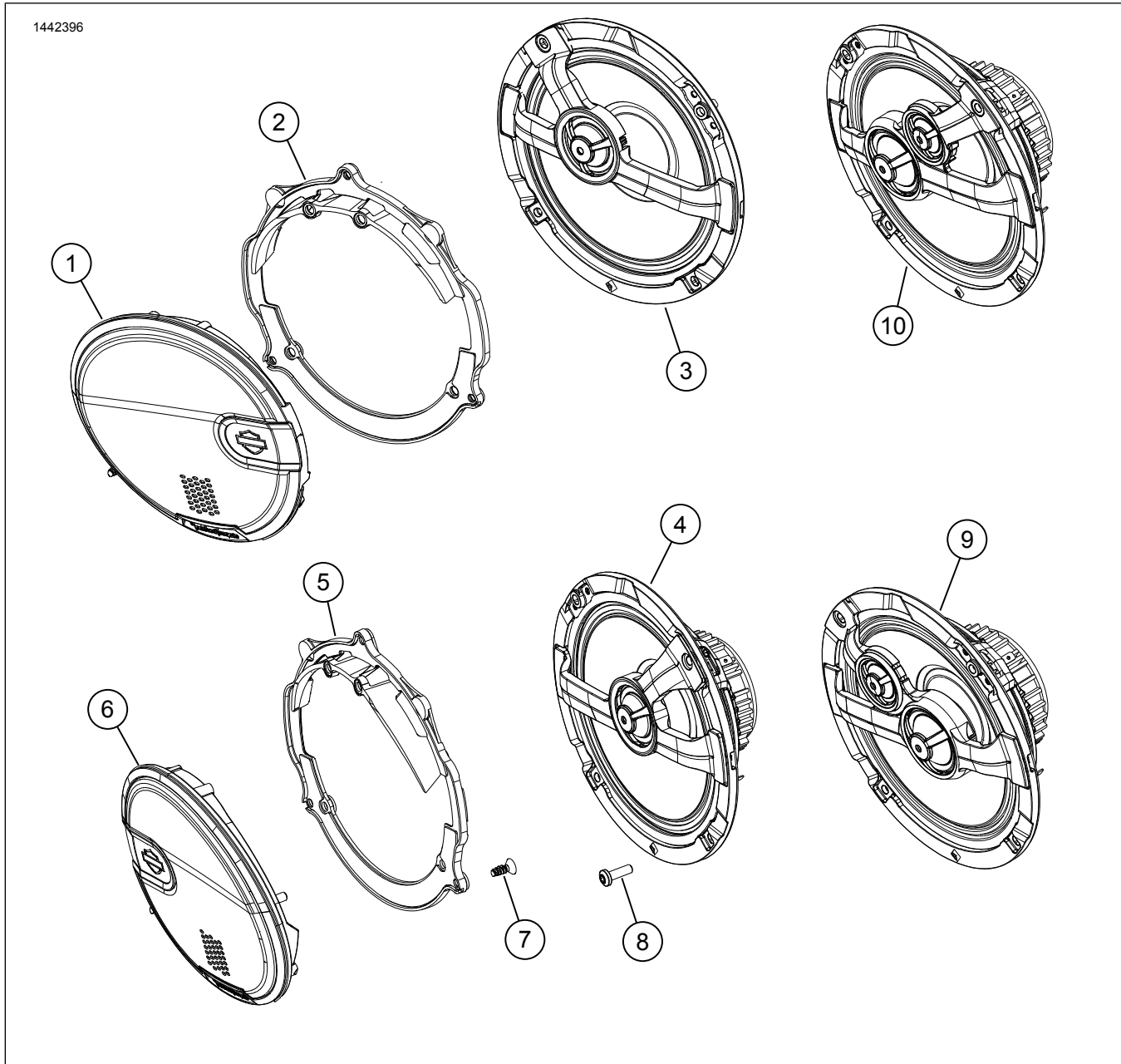


Figure 9. Service Parts, Boom! Audio 6.5 in Front Fairing Speaker Kit

Table 2. Service Parts

Item	Description (Quantity)	Part Number	Kit Number
1	Speaker grille, left, stage 1	76001016	76000980
	Speaker grille, left, stage 2	76001018	76000981
2	Grille retainer, left	76001037	76000980
3	Speaker, left, stage 1	76000998	7600098
4	Speaker, right, stage 1	76001010	76000980
5	Grille retainer, right	76001038	76000980
6	Speaker grille, right, stage 1	76001017	76000980
	Speaker grille, right, stage 2	76001019	76000981
7	Screw, self-tapping, button head (8)	10201096	76000980, 76000981
8	Screw, self-tapping, flat head (14)	10201073	76000980, 76000981
9	Speaker, right, stage 2	76001011	76000981
10	Speaker, left, stage 2	76000999	76000981