



INSTRUCTIONS

94100150

2021-10-01



PRIMARY AMPLIFIER INSTALLATION KIT (PN 76000974 AND 76001045)

Table 1.

Harley-Davidson Audio Powered by Rockford Fosgate®		
Kits	Suggested Tools	Skill Level
76000974, 76001045	Safety Glasses, Torque Wrench, Power Drill, Drill Bit Set (specifically 13/64 or 0.203-in.), Masking Tape, Deburring Tool, Isopropyl Alcohol, Clean Shop Rags, 2 1/2-in. Hole Saw	

KIT CONTENTS

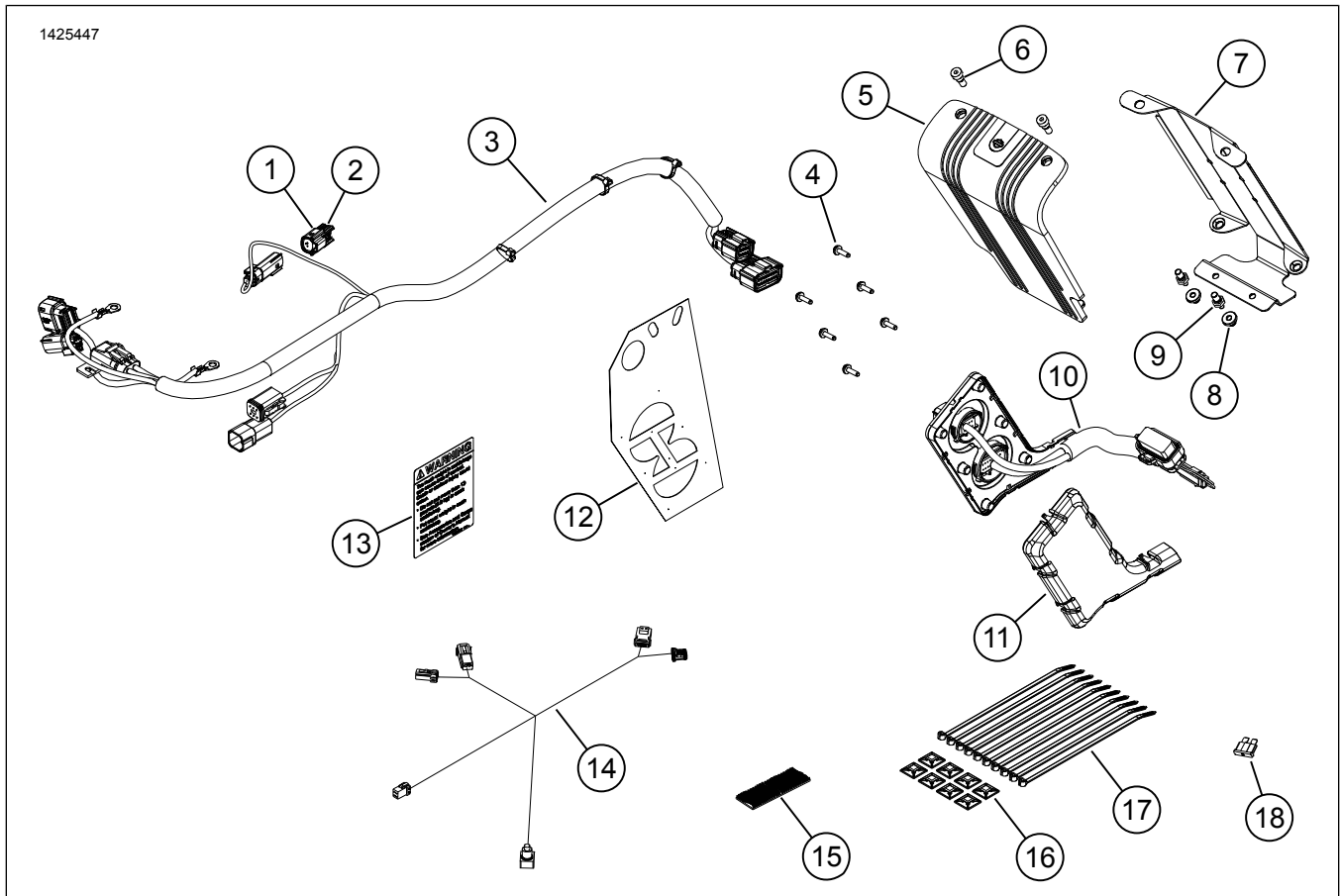


Figure 1. Service Parts: Primary Amplifier Kit

Table 2. Service Parts List: Primary Amplifier Kit

<input checked="" type="checkbox"/>	Item	Qty	Description	Part No.	Notes
<input type="checkbox"/>	1	1	Connector, 2-way	69200271	
<input type="checkbox"/>	2	2	Pin seal	72473-07	
<input type="checkbox"/>	3	1	Saddlebag harness, external	Not sold separately	
<input type="checkbox"/>	4	6	Screw, Pan Head TORX™, T15	10200065	
<input type="checkbox"/>	5	1	Amplifier cover	76000994	
<input type="checkbox"/>	6	2	Screw, socket head, 1/4-20	10201064	
<input type="checkbox"/>	7	1	Amplifier mount bracket, left saddlebag	76001004	
<input type="checkbox"/>	8	2	Grommet, amplifier mount bracket	12100052	
<input type="checkbox"/>	9	2	Stud pin, 1/4-20	12600305	
<input type="checkbox"/>	10	1	Saddlebag harness, internal	Not sold separately	
<input type="checkbox"/>	11	1	Wire harness cover	76000995	
<input type="checkbox"/>	12	1	Drill template	76001009	
<input type="checkbox"/>	13	1	Label, saddlebag capacity	14002201	
<input type="checkbox"/>	14	1	Harness, Bluetooth® Dongle	69202641	2017 and later Touring models
<input type="checkbox"/>				69202657	2014-2016 Touring models
<input type="checkbox"/>	15	1	Dual lock	76434-06	
<input type="checkbox"/>	16	8	Retainer, wire	69200342	
<input type="checkbox"/>	17	10	Cable strap	10006	
<input type="checkbox"/>	18	1	Fuse, 40 Amp	72371-95	

NOTE

Verify all contents are present in the kit before installing or removing items from vehicle.

GENERAL

NOTE

The newly installed audio system and speakers will not play audio unless it is configured using the Harley-Davidson audio app or by an authorized Harley-Davidson dealership.

NOTE

The various generations of speakers, amplifiers and wiring for Harley-Davidson vehicles were not designed or tested to work together. Please refer to the P&A catalog for fitment recommendations and consult your dealership to ensure optimal performance and compatibility.

The Bluetooth Dongle is a audio communication component. In conjunction with H-D audio app, it can assign amplifiers and speaker channels or enhance the sound by widening the frequency range with an additional equalizer. The dongle

CANNOT be used as a communications device between your phone and the vehicle's radio.

Models

*For model fitment information, see the P&A retail catalog or the Parts and Accessories section of www.harley-davidson.com (English only).

Ensure you are using the most current version of the instruction sheet which is available at: h-d.com/isheets

Contact Harley-Davidson Customer Support Center at 1-800-258-2464 (U.S. only) or 1-414-343-4056.

Electrical Overload

⚠ WARNING

When installing any electrical accessory, be certain not to exceed the maximum amperage rating of the fuse or circuit breaker protecting the affected circuit being modified. Exceeding the maximum amperage can lead to electrical failures, which could result in death or serious injury. (00310a)

NOTICE

It is possible to overload the vehicle's charging system by adding too many electrical accessories. If the combined electrical accessories operating at any one time consume more electrical current than the vehicle's charging system can produce, the electrical consumption can discharge the battery and cause damage to the vehicle's electrical system. (00211d)

This amplifier requires up to **8 amps** more current from the electrical system.

Installation Requirements

Download Harley-Davidson audio app.

Use this kit in conjunction with other **Harley-Davidson Audio powered by Rockford Fosgate®** kits.

For proper installation of the amplifier mount bracket to the surface of the saddlebag, the adhesion process should be allowed to cure for at least 24 hours.

If installing a secondary amplifier with a 6 or 8 speaker operation, wait until all speaker components are installed prior to making any connections. See the appropriate speaker or harness kit installation iSheet.

This harness is for use **ONLY** on **2014 and later** Harley-Davidson audio systems.

These items are available at your Harley-Davidson dealership:

- **2014 and Later FLHTKSE, FLTRUSE and Touring:** Separate purchase of Harley-Davidson Secondary Amplifier Kit (Part No. 76000975) may be required for this installation. This depends if there are six speakers or more and how the amplifier channels are assigned.
- **2014 and 2016 FLHTKSE, FLTRUSE and Touring:** Separate purchase of Harley-Davidson Power Extension Harness (Part No. 69200921) may be required. Use this when multiple electrical accessories are installed on the vehicle.
- **2017 and Later FLHTKSE, FLTRUSE and Touring:** Separate purchase of Harley-Davidson Power Extension Harness (Part No. 69201706) may be required. Use this when multiple electrical accessories are installed on the vehicle.
- **2014 and Later FLHTKSE, FLTRUSE and Touring:** Separate purchase of Harley-Davidson Primary Amplifier and Dongle Kit (Part No. 76000997) is required for this installation.
- **2021 and Later FLHXSE and FLTRXSE:** Separate purchase of Harley-Davidson Bluetooth Dongle (Part No. 41000771) **is required** for this installation. For use with Harley-Davidson audio app.
- **2021 and Later FLHXSE and FLTRXSE:** Separate purchase of Harley-Davidson Dual Lock Tape (Part No. 76434-06) **is required** for this installation.

⚠ WARNING

Rider and passenger safety depend upon the correct installation of this kit. Use the appropriate service manual procedures. If the procedure is not within your capabilities or you do not have the correct tools, have a Harley-Davidson dealer perform the installation. Improper installation of this kit could result in death or serious injury. (00333b)

Installation by a technician at a Harley-Davidson dealership is recommended.

PREPARE

NOTE

This instruction sheet references service manual information. A service manual for this year/model motorcycle is required for this installation. One is available from a Harley-Davidson dealer.

1. Remove saddlebags.
2. Remove side covers.
3. Remove main fuse.
4. Remove seat.
5. Remove fuel tank.
6. Remove left side caddy.
7. Remove top caddy.
8. Remove lower backbone caddy.
9. **Fork Mounted Fairing:**
 - a. Remove windshield.
 - b. Remove outer fairing.
 - c. Remove dash panel.
10. **Frame Mounted Fairing:**
 - a. Remove speaker grille.
 - b. Remove outer fairing.

SADDLEBAG

NOTE

Take extreme caution not to damage the painted surface.

1. See Figure 2. Position drill template (1) on left saddlebag (2).
 - a. Use tape to secure template.

2. **NOTE**
Do not modify right saddlebag.

See Figure 2. Modify left saddlebag (2).

- a. Center punch drill locations on template.
- b. **Internal harness holes:** Use 2 1/2-in hole saw.
- c. **Screw holes:** Use 5.15 mm (13/64-in.) drill bit.
- d. See Figure 3. Trim material to round edge (3).
- e. Deburr holes by lightly sanding the surface.
- f. Clean all surfaces of the body work with 50-70% isopropyl alcohol and 30-50% distilled water. Allow to dry completely.

3. See Figure 1. Install saddlebag capacity label (13).

- a. Apply over current label.

4. See Figure 5. Install grommet (3) into amplifier mount bracket (4).

5. Install stud pin (2) into amplifier (1). Tighten.
Torque: 9–12 N·m (80–106 **in-lbs**) *Amplifier stud pin*

6. See Figure 7. Connect internal harness connector (4) to amplifier (2).

7. Install amplifier (2) into amplifier mount bracket (3).

8. See Figure 9. Install amplifier cover (2).

9. Install screws (1). Tighten.
Torque: 9–12 N·m (80–106 **in-lbs**) *Amplifier cover screw*

10. See Figure 7. Install wire harness cover (6).

11. See Figure 3. Install internal harness (2).

12. **NOTE**

If the internal harness does not align with holes in the saddlebag, increase hole size using 6.35 mm (1/4-in.) drill bit. Deburr and clean saddlebag.

Install screws (1). Tighten.

Torque: 1.1–1.5 N·m (10–13 **in-lbs**) *Internal wire harness screws*

13. See Figure 8. Install amplifier mount bracket assembly.

- a. See Figure 4. Test fit mount bracket assembly. Bracket must be straight, centered, and as close to the bottom of the saddlebag as possible.
- b. See Figure 6. Use slits in the mounting bracket (1) to bend and conform to the saddlebag contour (2) without rocking. This will ensure better contact and adhesion with the tape. Do not peel tape at this time.
- c. See Figure 4. Test fit for final location ensuring bracket is straight, centered, and as close to the bottom of the saddlebag as possible.

- d. Use marker, masking tape or pencil to mark mounting location.

NOTE

See Figure 7. Make sure wire harness bundle routes into the area the under amplifier without binding or kinking. The bundle should not pull the wire harness cover (6) away from the internal harness (5).

- e. Peel tape from mount bracket assembly.

NOTE

Once the bracket is taped into place it will be very difficult to remove without damaging the bracket.

- f. Install mount bracket assembly to the marked location.
- g. Stand saddlebag up on end and allow tape to cure for at least 24 hours.

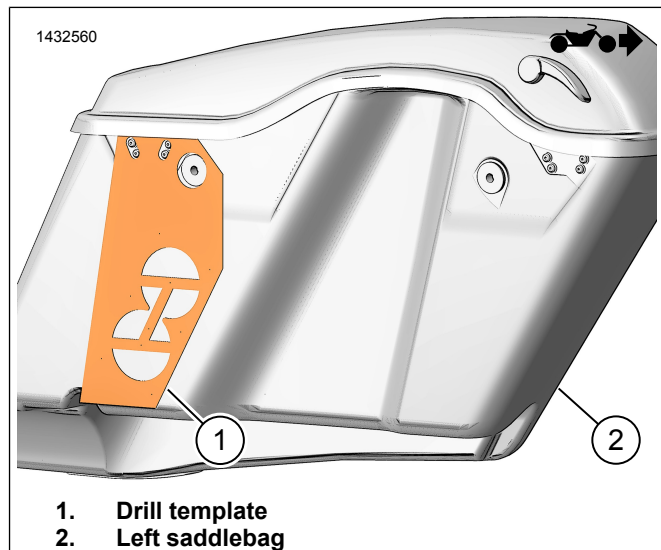


Figure 2. Left Saddlebag Template

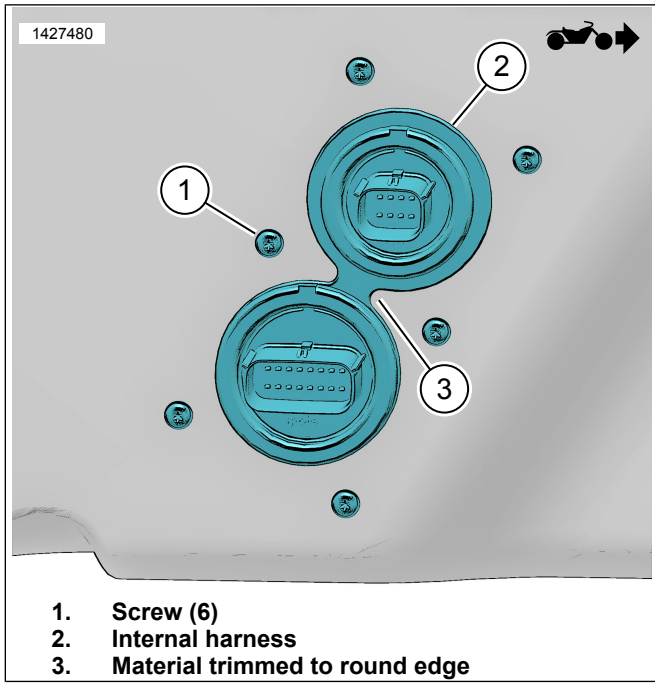


Figure 3. Inner Harness

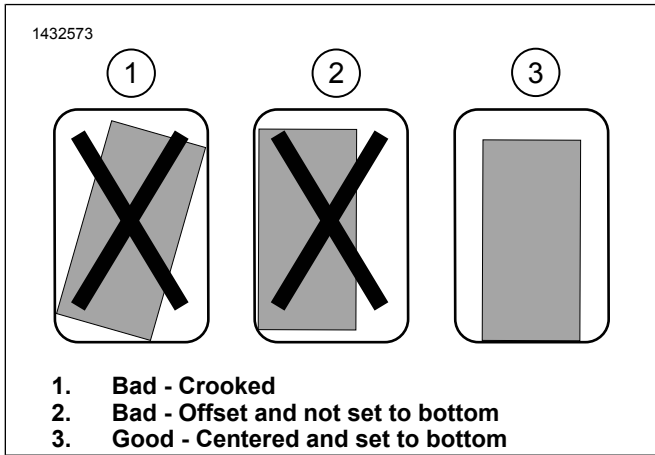


Figure 4. Mount Bracket Installation

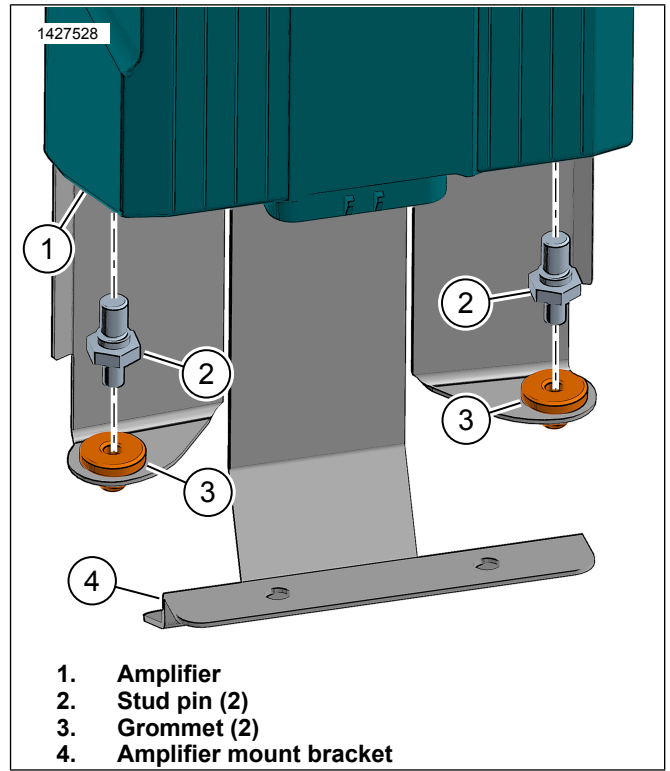


Figure 5. Amplifier Stud Pin

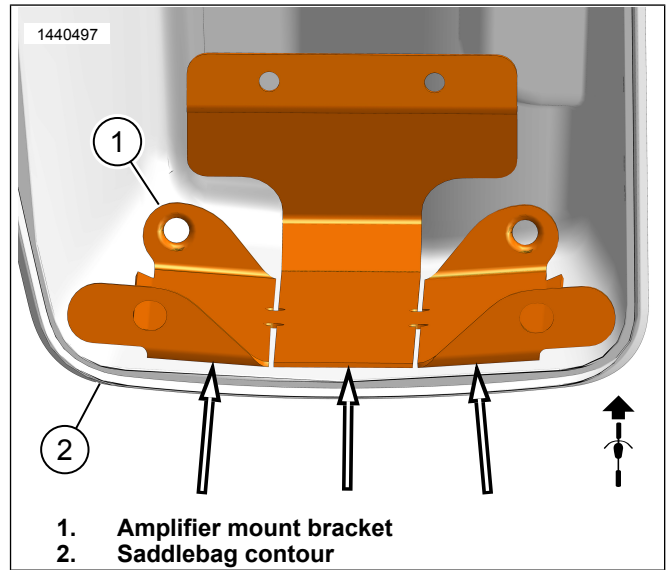


Figure 6. Saddlebag Contour

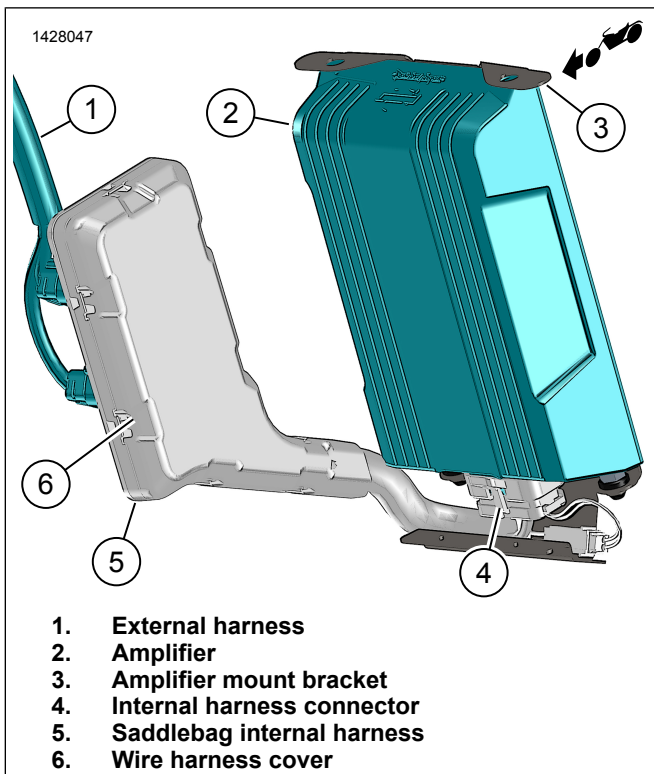


Figure 7. Left Saddlebag Amplifier Assembly

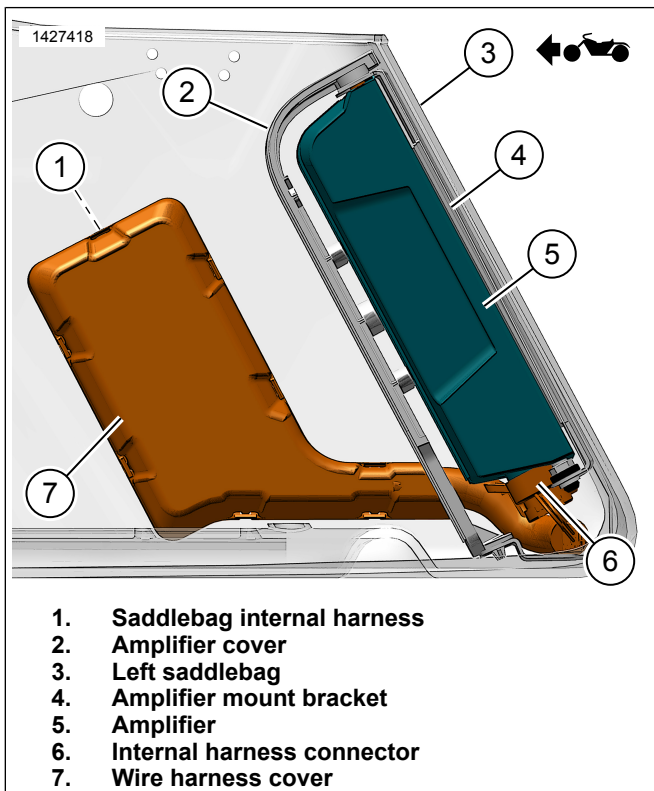


Figure 8. Saddlebag Harness with Amplifier

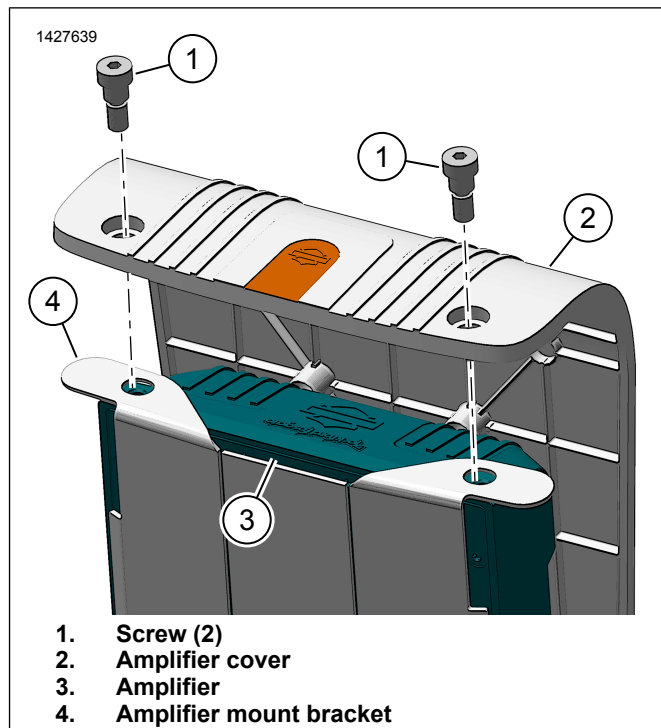


Figure 9. Amplifier Cover

EXTERNAL HARNESS

2014-2016 Touring

NOTE

If installing a secondary amplifier with a 6 or 8 speaker operation, wait until all speaker components are installed prior to making any connections. See the appropriate speaker or harness kit installation iSheet.

1. See Figure 10. Route external saddlebag harness along frame. Using cable straps loosely install harness to anchor points (1). Do not tighten cable straps.
2. Mount saddlebag to check harness length. Leave enough length to easily connect to saddlebag.
3. See Figure 11. Route harness branch [350A] (6) into battery box area.

4. NOTE

See Figure 12. If a secondary amplifier is **NOT** installed, insert seal pins (9) into cap (8) and connect to connector [350A] (7).

If a secondary amplifier will be installed, connect [350A] (7) to secondary amplifier connector.

See Figure 12. Route data link connectors (12, 13) toward left side caddy area.

5. See Figure 11. Route items 1-5 in front of battery and toward the right side cover.
6. Connect negative battery wire (2).
7. Connect positive battery wire (1).

8. Secure amplifier fuse holder (3) with cable strap.
9. Locate data link connector [91A] in the left side caddy. See service manual.

10. **NOTE**

DO NOT remove the connector from the Body Control Module (BCM). Make sure the main fuse has been removed if there is a need to disconnect the BCM connector.

Lift locking tab. Slide the BCM with attached connector out of the left side caddy.

11. Remove connector [91A] from caddy.
12. Remove weather cap from the connector [91A].
13. See Figure 12. Connect gray socket housing on amplifier harness [91B] (12) to vehicle connector [91A].
14. Place [91A] (13) from external harness on top of [91B]. Secure with cable straps.
15. Replace weather cap from vehicle [91A] to external harness [91A].
16. Install BCM with connector attached into left side caddy.
17. See Figure 12. Install fuse (4) into fuse holder (3).
18. Secure rest of harness with cable straps as needed.

19. **NOTE**

If clearance issues occur between antenna bracket and upper saddlebag connector, loosen antenna bracket and reposition bracket on fender support to gain more clearance.

Make sure wire harness is sufficiently secure to avoid contact with moving components.

See Figure 10. Connect external saddlebag harness to internal harness (2) on saddlebag.

20. Install saddlebag to vehicle.

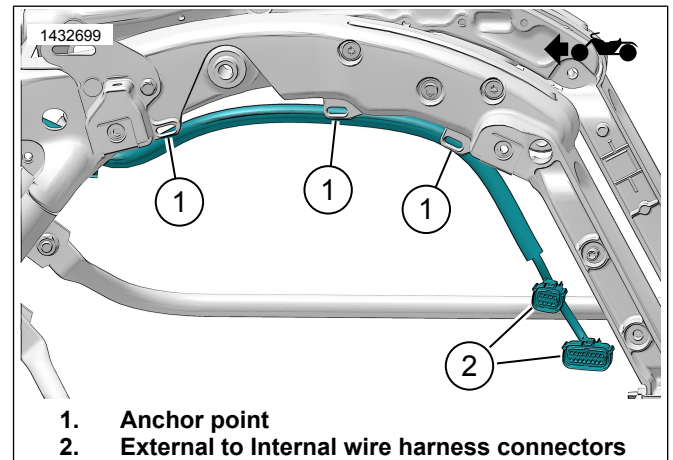


Figure 10. External Wire Harness Routing (Typical)

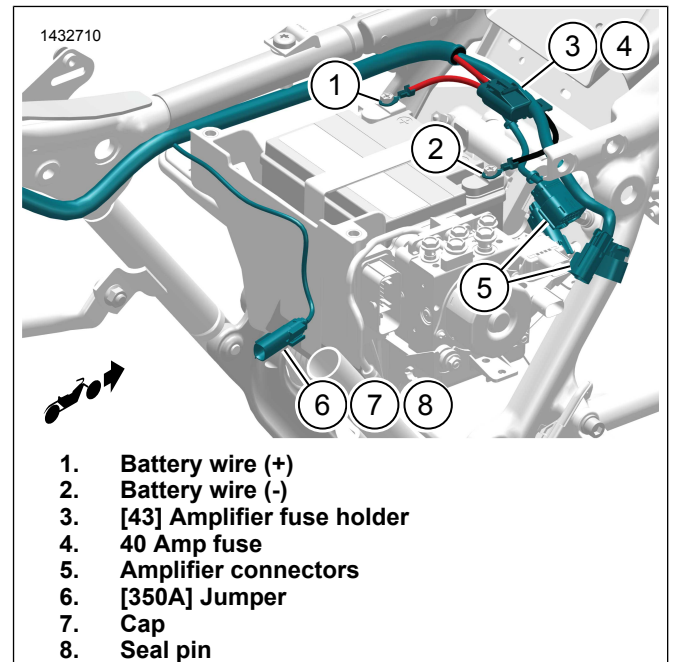
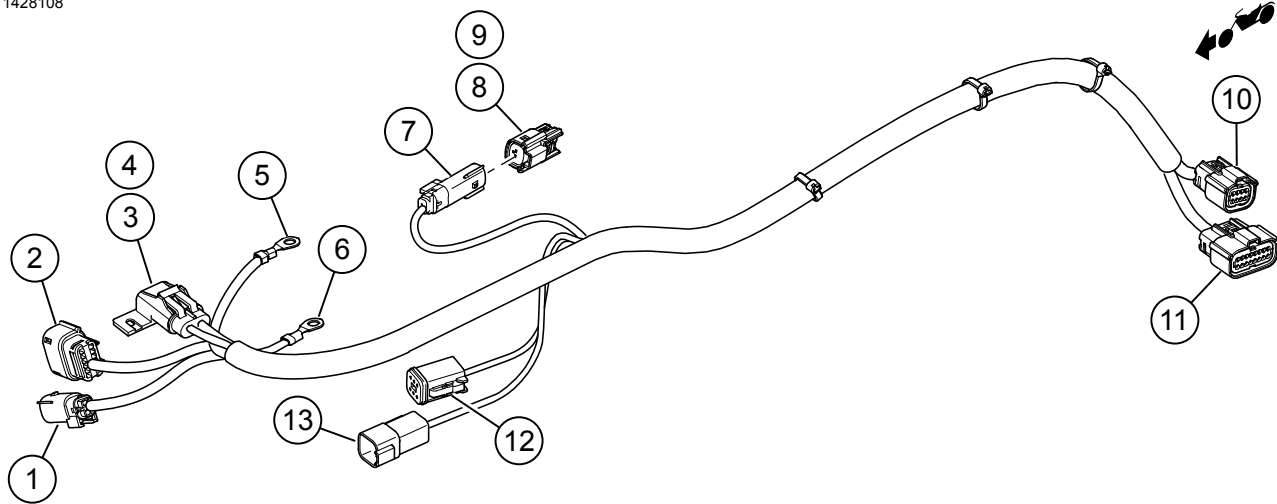


Figure 11. External Wire Harness Routing (Typical)



- | | |
|---|--|
| 1. [351A] Audio out (channel 3,4) | 8. Cap |
| 2. [349B] Amplifier Input/Output/Enable | 9. Seal pin (2) |
| 3. [43] Amplifier fuse holder | 10. [288B_2] Left saddlebag connector (8 pin) |
| 4. 40 Amp fuse | 11. [288B_1] Left saddlebag connector (16 pin) |
| 5. [005] Battery wire (-) | 12. [91B] Data link connector |
| 6. [021] Battery wire (+) | 13. [91A] Data link connector |
| 7. [350A] A2B Jumper | |

Figure 12. External Harness Connectors (2014-2016)

2017 and Later Touring

NOTE

If installing a secondary amplifier with a 6 or 8 speaker operation, wait until all speaker components are installed prior to making any connections. See the appropriate speaker or harness kit installation iSheet.

- See Figure 10. Route external saddlebag harness along frame. Using cable straps loosely install harness to anchor points (1). Do not tighten cable straps.
- Mount saddlebag to check harness length. Leave enough length to easily connect to saddlebag.
- NOTE

See Figure 13. If a secondary amplifier is **NOT** installed, insert seal pins (10) into cap (11) and connect to connector 350A (9).

If a secondary amplifier will be installed, connect to secondary amplifier connector.

See Figure 11. Route harness branch [350A] (6) into battery box area.

- NOTE

Also see Figure 13 to reference the 2017 and later external harness connectors.

See Figure 11. Route items (1-5) in front of battery and toward right side cover area.

- Connect negative battery wire (2).
- Connect positive battery wire (1).
- Secure amplifier fuse holder (3) with cable strap.
- See Figure 12. Install fuse (4) into fuse holder (3).
- Secure rest of harness with cable straps as needed.

- NOTE

If clearance issues occur between antenna bracket and upper saddlebag connector, loosen antenna bracket and reposition bracket on fender support to gain more clearance.

Make sure wire harness is sufficiently secure to avoid contact with moving components.

See Figure 10. Connect external saddlebag harness to internal harness (2) on saddlebag.

- Install saddlebag to vehicle.

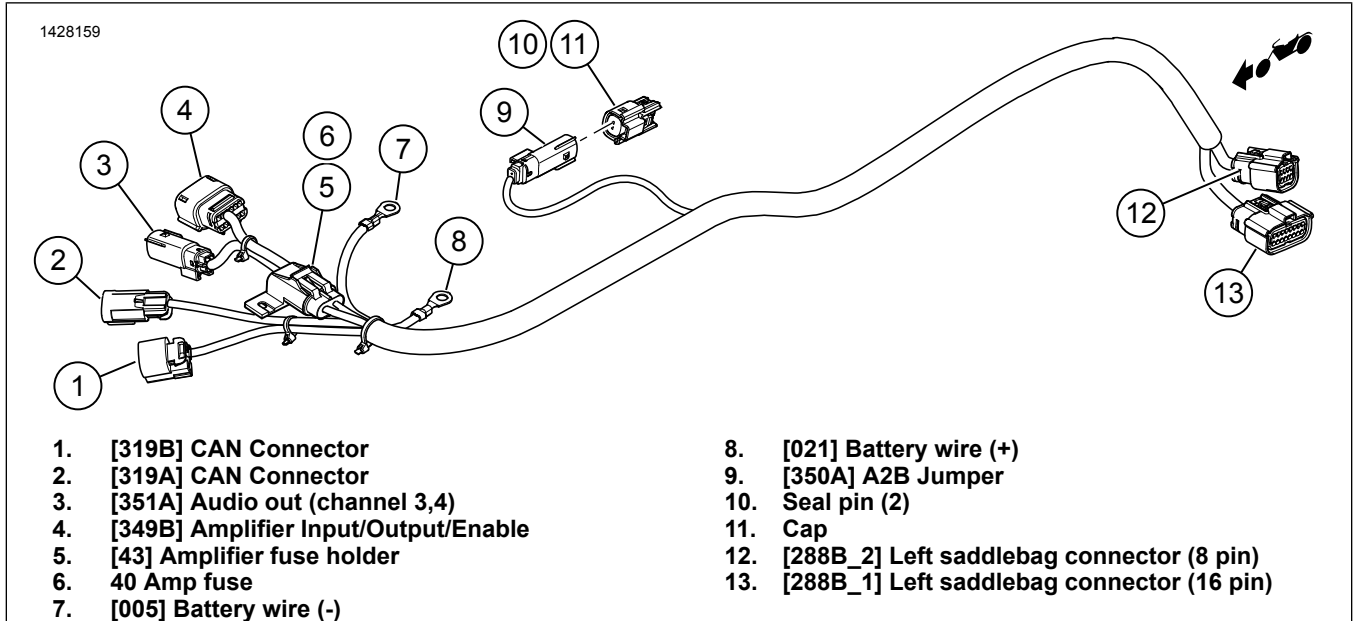


Figure 13. External Harness Connectors (2017 and Later)

BLUETOOTH DONGLE HARNESS (2014 - 2016)

NOTE

This procedure excludes FLHXSE models.

The Bluetooth Dongle is a audio communication component. In conjunction with H-D audio app, it can assign amplifiers and speaker channels or enhance the sound by widening the frequency range with an additional equalizer. The dongle **CANNOT** be used as a communications device between your phone and the vehicle's radio.

Fork Mounted Fairing

1. See Figure 14. Install and route bluetooth dongle harness under fairing.
2. Locate vehicle connectors: [22-1] and [299].
 - a. Disconnect connectors.
3. Connect bluetooth dongle harness to vehicle at right hand control connector in caddy located under radio.
 - a. Dongle harness [22-1A] to vehicle harness [22-1B].
 - b. Dongle harness [22-1B] to vehicle harness [22-1A].
 - c. Dongle harness [299A] to vehicle harness [299B]

NOTE

Use Part No. 69200921 extension harness as needed.

- d. Dongle harness [299B] to vehicle harness [299A]
4. Connect bluetooth dongle (1) to bluetooth dongle harness.
 - a. [353B] (2).

- b. Secure dongle (1) to fairing support structure with dual lock tape (8).

5.

NOTE

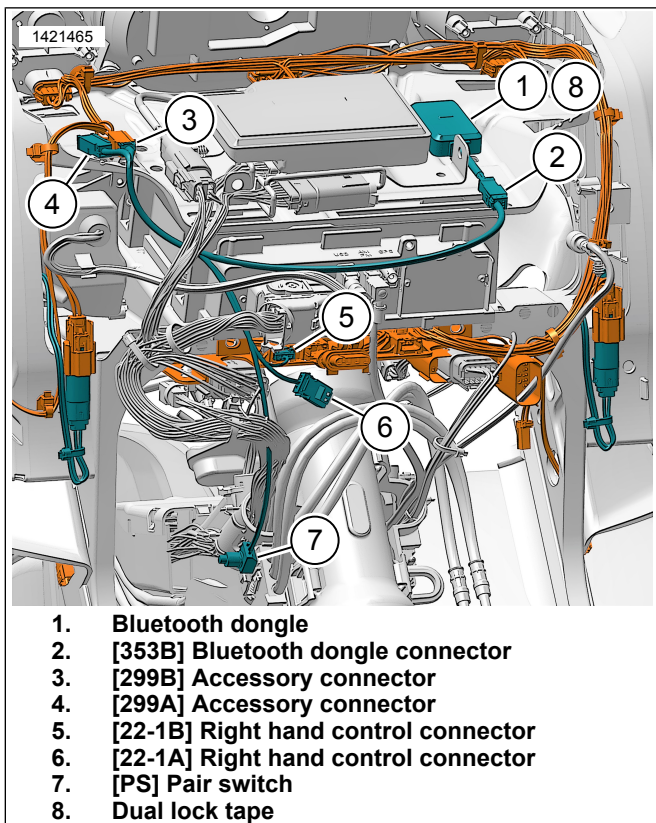
Vehicle to Bluetooth component should only be paired once unless a new Bluetooth device is being added or because of system component failure.

The Bluetooth dongle (1) can only be paired to one mobile device at a time. The dongle can be unpaired by either the audio app or pressing the pair switch (7) located on the harness.

Mount the pair switch (7) where it cannot be accidentally actuated during vehicle operation.

Route and secure pair switch (7).

- a. Inside fairing near steering head.



1. Bluetooth dongle
2. [353B] Bluetooth dongle connector
3. [299B] Accessory connector
4. [299A] Accessory connector
5. [22-1B] Right hand control connector
6. [22-1A] Right hand control connector
7. [PS] Pair switch
8. Dual lock tape

Figure 14. Fork Mounted Fairing Bluetooth Dongle Harness (2014-2016)

Frame Mounted Fairing

1. See Figure 15. Install and route bluetooth dongle harness under fairing.
2. Locate vehicle connectors: [243] and [299].
 - a. Disconnect connectors.
3. Connect bluetooth dongle harness to vehicle.
 - a. Dongle harness [22-1A] to vehicle harness [243B].
 - b. Dongle harness [22-1B] to return loop cap [243A].
 - c. Dongle harness [299B] to vehicle harness [299A].

NOTE

Use Part No. 69200921 extension harness as needed.

4. Connect bluetooth dongle (8) to bluetooth dongle harness.
 - a. [353B] (7).
 - b. Secure dongle (8) to fairing support structure with dual lock tape (9).

NOTE

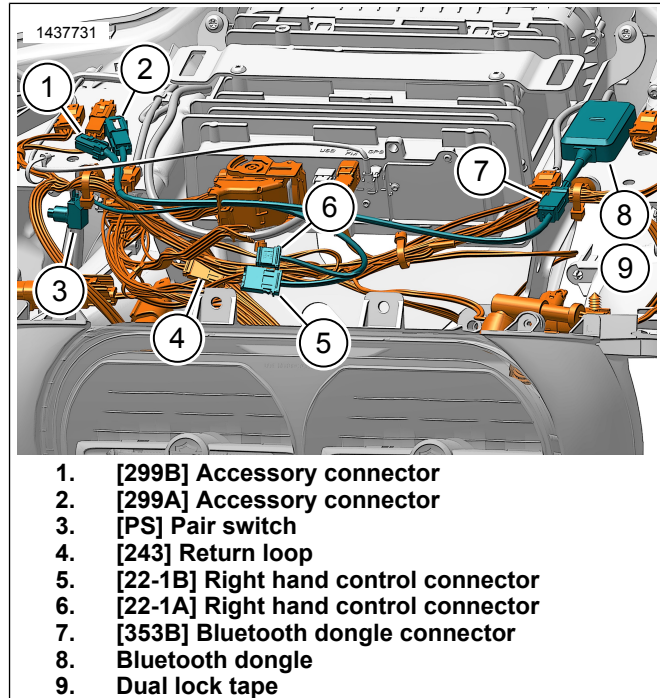
Vehicle to Bluetooth component should only be paired once unless a new Bluetooth device is being added or because of system component failure.

The Bluetooth dongle (8) can only be paired to one mobile device at a time. The dongle can be unpaired by either the audio app or pressing the pair switch (3) located on the harness.

Mount the pair switch (3) where it cannot be accidentally actuated during vehicle operation.

Route and secure pair switch (3).

- a. Under right speaker grille.



1. [299B] Accessory connector
2. [299A] Accessory connector
3. [PS] Pair switch
4. [243] Return loop
5. [22-1B] Right hand control connector
6. [22-1A] Right hand control connector
7. [353B] Bluetooth dongle connector
8. Bluetooth dongle
9. Dual lock tape

Figure 15. Frame Mounted Fairing Bluetooth Dongle Harness (2014-2016)

BLUETOOTH DONGLE HARNESS (2017 AND LATER)

NOTE

This procedure is identical for CVO models.

The Bluetooth Dongle is a audio communication component. In conjunction with H-D audio app, it can assign amplifiers and speaker channels or enhance the sound by widening the frequency range with an additional equalizer. The dongle **CANNOT** be used as a communications device between your phone and the vehicle's radio.

1. See Figure 16. Install and route bluetooth dongle harness.
2. Locate vehicle connectors: [319] and [325].
 - a. Disconnect connectors from cap and terminating resistor.
3. **2021 and Later FLHXSE / FLTRXSE Models Only:**
 - a. Connect dongle harness [319B] to vehicle [319A].
 - b. Connect dongle harness [319B] to terminating resistor cap.

4. **NOTE**
Use Part No. 69201706 extension harness as needed.

Connect amplifier harness to vehicle.

- a. Amplifier harness [319A] to vehicle [319B].
5. Connect bluetooth dongle harness to amplifier harness and vehicle.
- a. Dongle harness [319A] to amp harness [319B].
 - b. Dongle harness [319B] to terminating resistor cap [319A].
 - c. Dongle harness [325A] to vehicle [325B].

NOTE

Use Part No. 69201706 extension harness as needed.

6. Connect bluetooth dongle (1) to bluetooth dongle harness.
- a. [353B] (2).

- b. Secure dongle (1) to the back of right side cover with dual lock tape (7).

7. **NOTE**

Vehicle to bluetooth component should only be paired once unless a new bluetooth device is being added or system component failure.

The Bluetooth dongle (1) can only be paired to one mobile device at a time. The dongle can be unpaired by either the audio app or pressing the pair switch (3) located on the harness.

Mount the pair switch (3) where it cannot be accidentally actuated during vehicle operation.

Route and secure pairing switch (3).

- a. **Frame Mounted:** Under right speaker grille.
- b. **Fork Mounted:** Under right side cover.

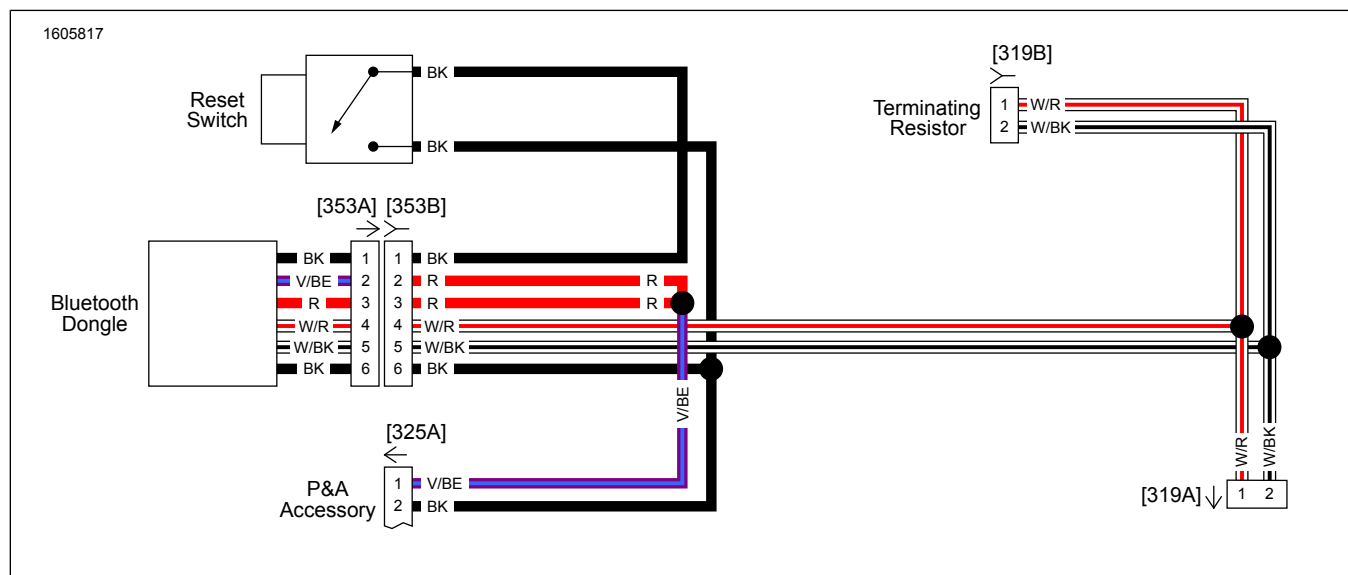


Figure 16. Bluetooth Dongle Harness (2017 and Later)(Typical)

BLUETOOTH DONGLE HARNESS (2021 AND LATER FLHXSE / FLTRXSE)

The Bluetooth Dongle is a audio communication component. In conjunction with H-D audio app, it can assign amplifiers and speaker channels or enhance the sound by widening the frequency range with an additional equalizer. The dongle **CANNOT** be used as a communications device between your phone and the vehicle's radio.

1. Separate purchase of Harley-Davidson Bluetooth Dongle, Bluetooth Dongle wire harness and dual lock tape. See Installation Requirements in GENERAL.
2. See BLUETOOTH DONGLE HARNESS (2017 AND LATER) for installation procedure.

SPEAKER CONNECTIONS

NOTE

If saddlebag speakers **ARE** present, connect left saddlebag speaker harness to [351A].

If only a primary amplifier is present **WITHOUT** saddlebag speakers, then Tour-Pak or fairing lowers may be connected to [351A].

If saddlebag speakers **ARE NOT** present with a secondary amplifier, then Tour-Pak and/or fairing lower speakers may be connected to either [351a] or [352a_1] or [352a_2].

Channel 1 and 2

Fairing: Fork or Frame Mounted

1. See fairing speaker installation kit for routing and connections associated with that kit.
2. **Channel 1:** Left fairing speaker.
3. **Channel 2:** Right fairing speaker.
4. Connect fairing speaker wire harness to external harness [349B].

Channel 3 and 4

Fairing Lower, Saddlebag Lids or Tour Pak

1. See the appropriate speaker installation kit for routing and connections associated with that kit.
2. **Channel 3:** Left speaker.
3. **Channel 4:** Right speaker.
4. **NOTE**
Connection to [351A] is either made to the saddlebag, tour-pak or fairing lowers.

Connect the appropriate kit's wire harness to external harness [351A].

Table 3. Amplifier Channel Assignments

Assignments	Channels	Fairing Speakers	Saddlebag Speakers	Tour-Pak Speakers	Fairing Lower Speakers
Primary Amplifier	1 and 2	X			
	3 and 4		X	X	X

APP SETUP

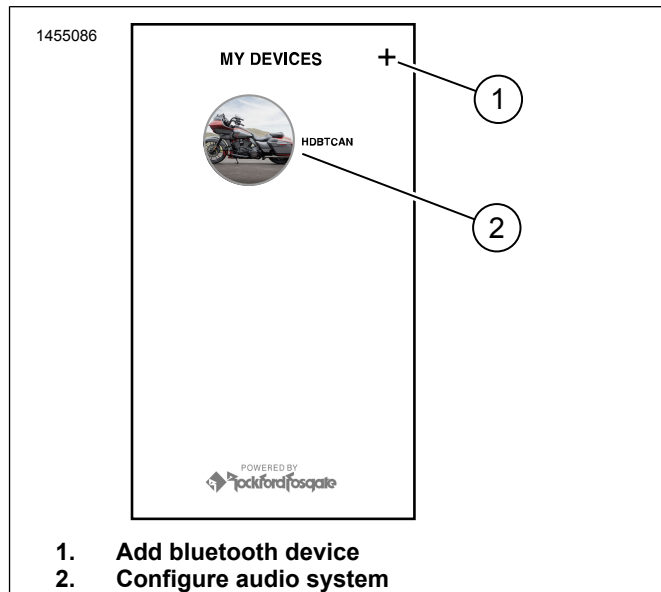
NOTE

Vehicle to Bluetooth component should only be paired once unless a new Bluetooth device is being added or because of system component failure.

The Bluetooth dongle can only be paired to one mobile device at a time. The dongle can be unpaired by either the audio app or pressing the pair switch located on the harness.

If Personal Identification Number (PIN) is forgotten or locked and needs to be reset, press and hold the "Pair Switch or Reset Switch" (See Figure 16, item 3) for 3 seconds to reset PIN. Reconnect to Bluetooth Dongle in H-D Audio App to set new PIN.

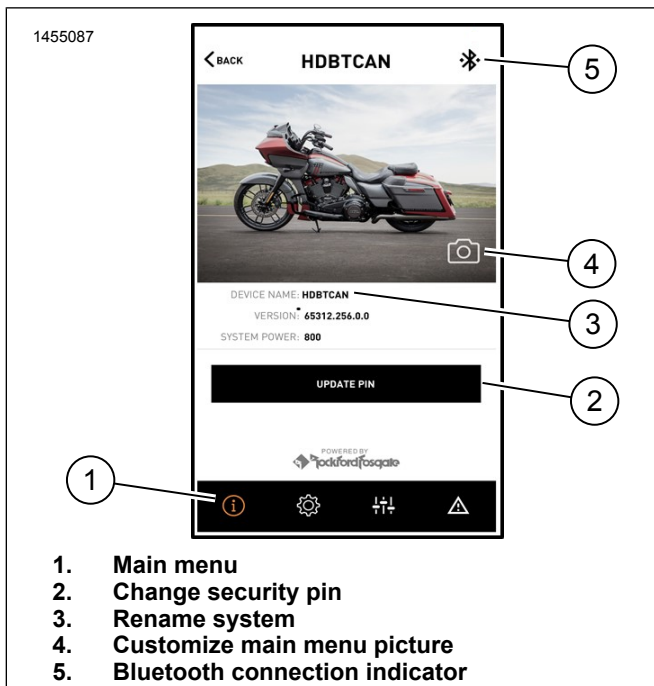
1. See Figure 17. Accessing your audio system.
 - a. Pair device (1) to system.
 - b. Access app menus (2) to setup vehicle sound system.



1. Add bluetooth device
2. Configure audio system

Figure 17. System Access

2. See Figure 18. Main menu screen.
 - a. Main menu icon (1).
 - b. Reset or change security personal identification number (PIN) (2).
 - c. Edit and rename your system (3).
 - d. Customize main menu with your bike picture (4).
 - e. Bluetooth connection indicator. Slash through symbol indicates: Not Connected (5).

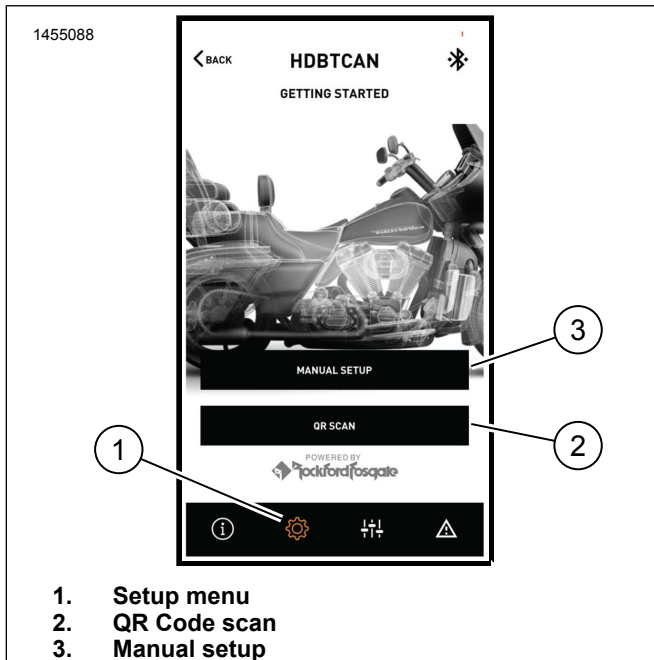


1. Main menu
2. Change security pin
3. Rename system
4. Customize main menu picture
5. Bluetooth connection indicator

Figure 18. Main Menu

3. See Figure 19. Setup menu screen.

- a. Setup menu icon (1).
- b. Use to scan QR code (2) on iSheet.
- c. Manual setup for Stage 1 or 2 speakers, speaker location and white noise to assign speaker locations.

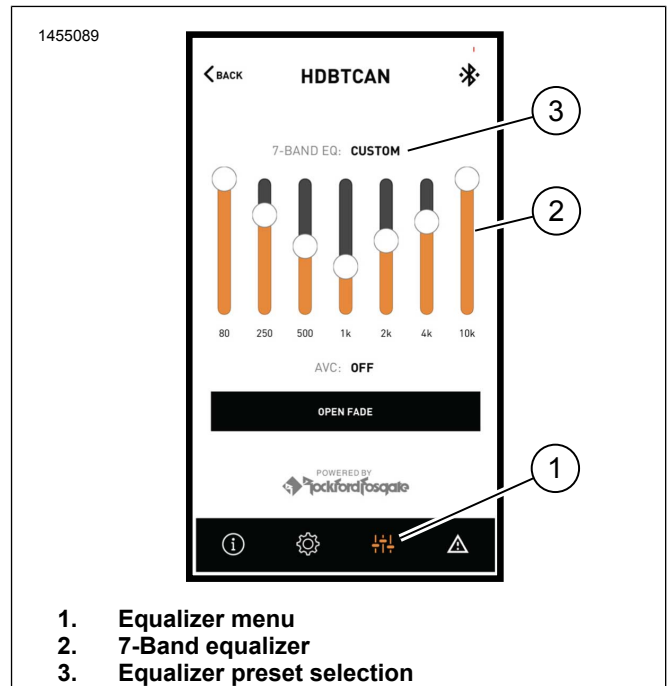


1. Setup menu
2. QR Code scan
3. Manual setup

Figure 19. Setup Menu

4. See Figure 20. Equalizer setup screen.

- a. Equalizer setup icon (1)
- b. Tune 7-Band equalizer (2) frequencies.
- c. Custom or preset equalizer selections (3).



1. Equalizer menu
2. 7-Band equalizer
3. Equalizer preset selection

Figure 20. Equalizer Menu

5. See Figure 21. Diagnostic menu screen.

- a. Diagnostic menu icon (1) displays sound system status.
- b. Open the speaker testing screen (2).
- c. Refreshes speaker and amplifier status (3) after component repair.
- d. Select speaker for white noise (4) test and functionality.
- e. Return to diagnostic menu screen (5).

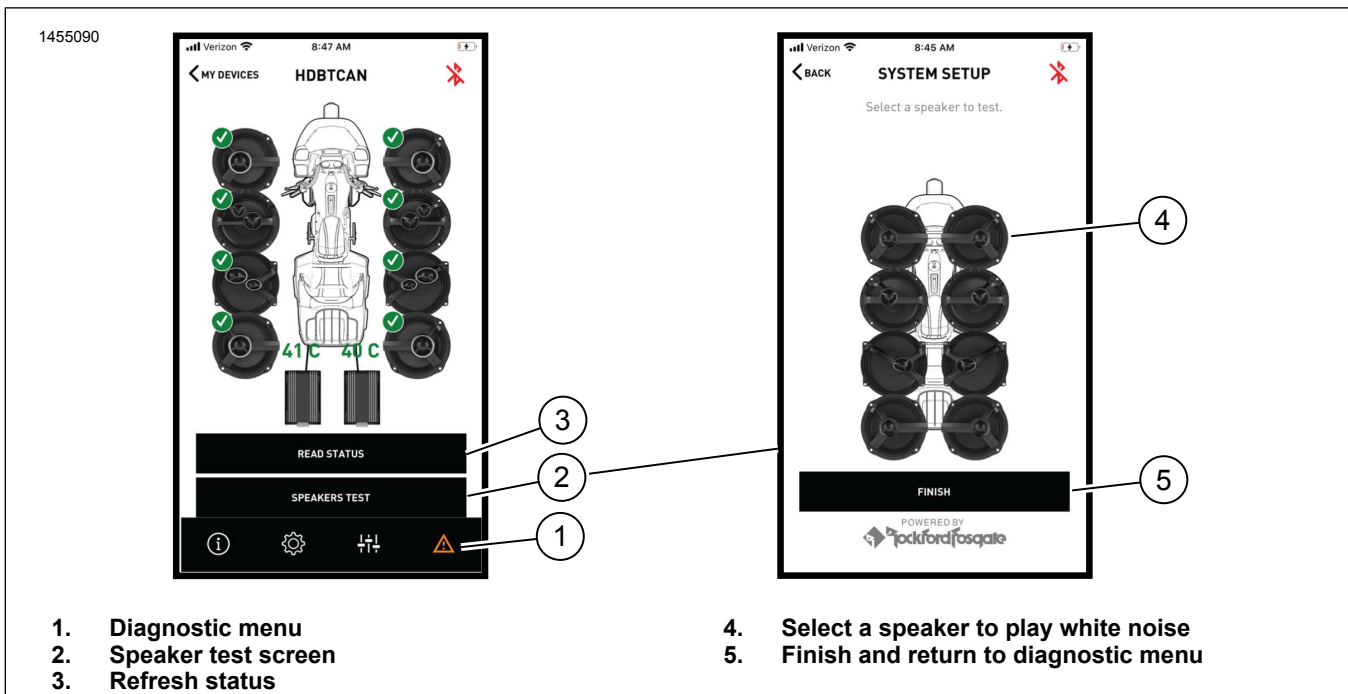


Figure 21. Diagnostic Menu

COMPLETE

1. **Frame Mounted Fairing:**
 - a. Install speaker grille.
 - b. Install outer fairing.
2. **Fork Mounted Fairing:**
 - a. Install windshield.
 - b. Install outer fairing.
 - c. Install dash panel.
3. Install lower backbone caddy.
4. Install top caddy.
5. Install left side caddy.
6. Install fuel tank.
7. Install seat.
8. Install main fuse.
9. Install side covers.
10. Install saddlebags.