



# INSTRUCTIONS

J06804

2019-08-19



## OVERWATCH HANDLEBAR BAG, SMALL

### GENERAL INFORMATION

Table 1. General Information

Kits	Suggested Tools	Skill Level <sup>(1)</sup>	Time
93300121	Safety Glasses		15 minutes

(1) Only simple tools and techniques required

### KIT CONTENTS

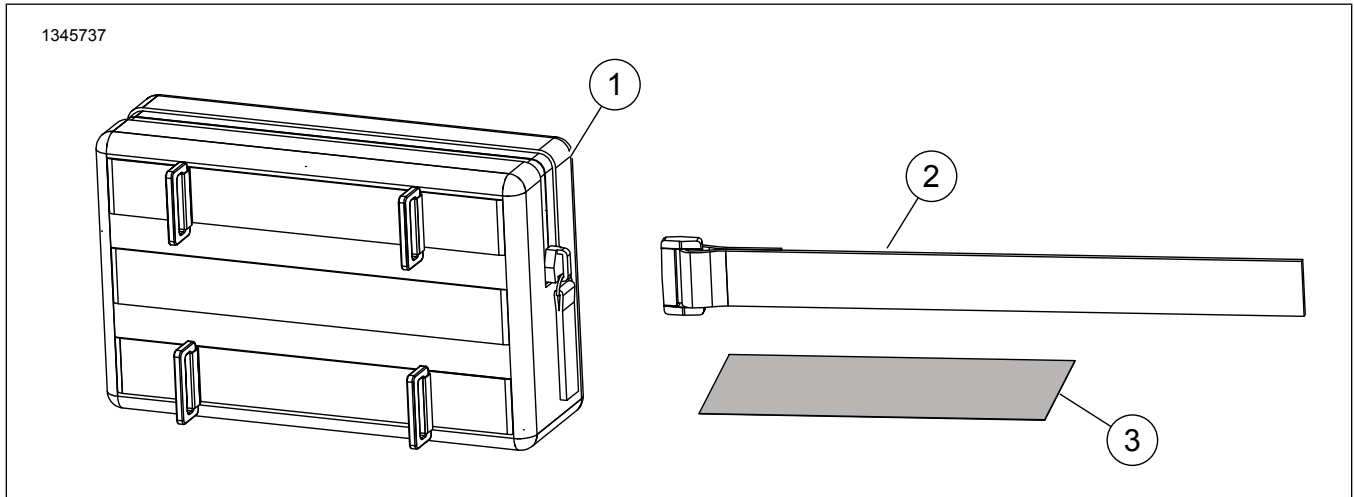


Figure 1. Kit Contents: Overwatch Handlebar Bag Components

Table 2. Kit Contents: Overwatch Handlebar Bag Components

<input checked="" type="checkbox"/>	Item	Qty	Description	Part No.	Notes
<input type="checkbox"/>	1	1	Bag, handlebar, small	Not sold separately	
<input type="checkbox"/>	2	6	Hook-and-Loop	93500026	
<input type="checkbox"/>	3	1	Anti-abrasion tape	Not sold separately	

#### NOTE

Verify all contents are present in the kit before installing or removing items from vehicle.

Contact Harley-Davidson Customer Support Center at 1-800-258-2464 (U.S. only) or 1-414-343-4056.

### Installation Requirements

#### ⚠ WARNING

Rider and passenger safety depend upon the correct installation of this kit. If the procedure is not within your capabilities or you do not have the correct tools, have a Harley-Davidson dealer perform the installation. Improper installation of this kit could result in death or serious injury. (00308b)

### GENERAL

#### Models

For model fitment information, see the P&A Retail Catalog or the Parts and Accessories section of [www.harley-davidson.com](http://www.harley-davidson.com) (English only).

Verify that the most current version of the instruction sheet is used. It is available at: [www.harley-davidson.com/isheets](http://www.harley-davidson.com/isheets)

## PREPARE

1. Cut anti-abrasion tape (3) to fit area being applied to.
  - a. Nacelle
  - b. Headlight bracket

## INSTALL

### ▲ WARNING

Do not exceed Handlebar Bag weight capacity. Too much weight in Handlebar Bag can cause loss of control, which could result in death or serious injury. (06705a)

### NOTE

Weight of contents must not exceed weight limit of 2.5 lbs (1.1 kg).

1. Figure 2 Attach a minimum of four hook-and-loops to back of bag.
2. Figure 3 Secure hook-and-loops on bag to handlebar (2) and risers (3).

### NOTE

- When installing hook-and-loops to risers and handlebar be careful not to pull on, squeeze or pinch any wiring or cables.
- Verify full range of movement by turning handlebars lock-to-lock.
- Verify that bag does not cover up lighting, turn signals, reflectors, instruments cluster or warning lights.
- Depending on vehicle model and configuration, bag can be mounted in front of or behind handlebars.

3. Tighten hook-and-loops as much as possible.
4. Trim excess hook-and-loop straps once installed.
5. Periodically recheck mounting straps and cargo.

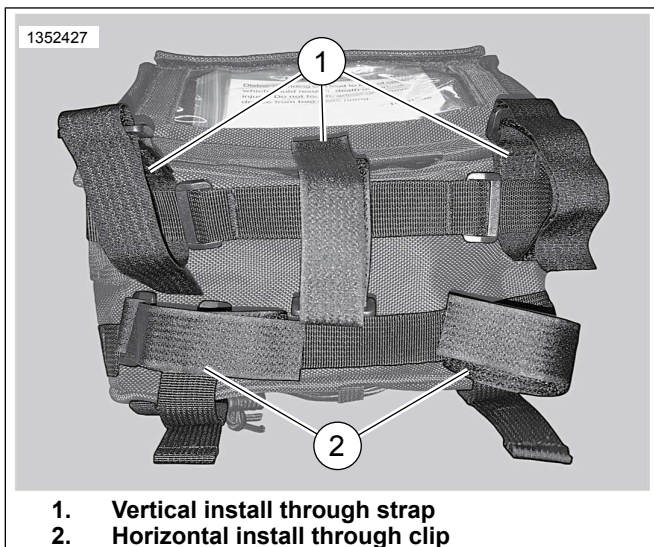


Figure 2. Hook-and-Loop Attachment Options

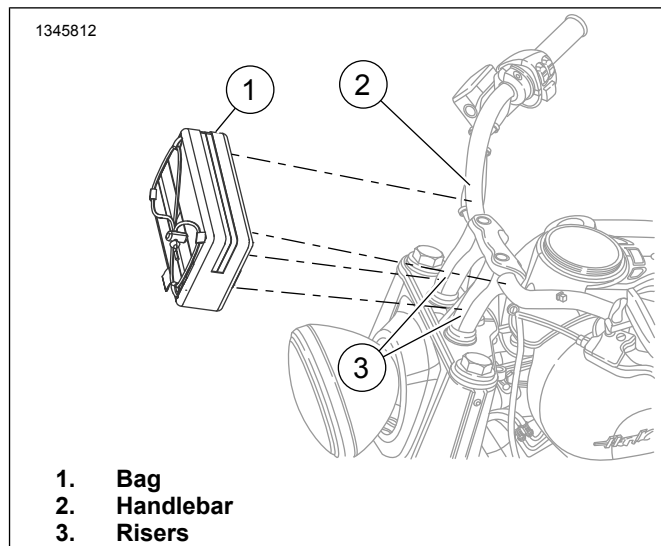


Figure 3. Bag and Hook-and-Loop Attachment

## CARE AND MAINTENANCE INSTRUCTIONS

1. Use a lint free cloth to wipe off any dust or dirt.
2. Thoroughly clean outer surface with warm water and a mild detergent.
3. Do not use artificial means to dry material quickly.
4. Contains one or more of the following materials:
  - a. Polyester
  - b. Polypropylene
  - c. Polyethylene