



INSTRUCTIONS

J03168

2013-11-01



CUSTOM BRAKE PEDAL PAD

GENERAL

Kit Number

42701-05

Models

For model fitment information, see the P&A retail catalog or the Parts and Accessories section of www.harley-davidson.com (English only).

⚠ WARNING

Rider and passenger safety depend upon the correct installation of this kit. If the procedure is not within your capabilities or you do not have the correct tools, have a Harley-Davidson dealer perform the installation. Improper installation of this kit could result in death or serious injury. (00308b)

Kit Contents

See Figure 1 and Table 1.

INSTALLATION

NOTE

A Service Manual for your motorcycle is available at your Harley-Davidson dealer.

1. See Figure 1. Remove the previously installed brake pedal cover from the foot brake lever.
2. Position the pad housing over the brake pedal aligning raised area under plate with oval hole in brake pedal.
3. Position washer (3) under hole of the brake pedal.
4. From top of mounting plate, install tread through pad housing, brake pedal, and washer.
5. From under brake pedal, install locknut (4) to secure pad housing and washer to brake pedal. Tighten locknut to 60-90 **in-lbs** (6.78-10.16 Nm).

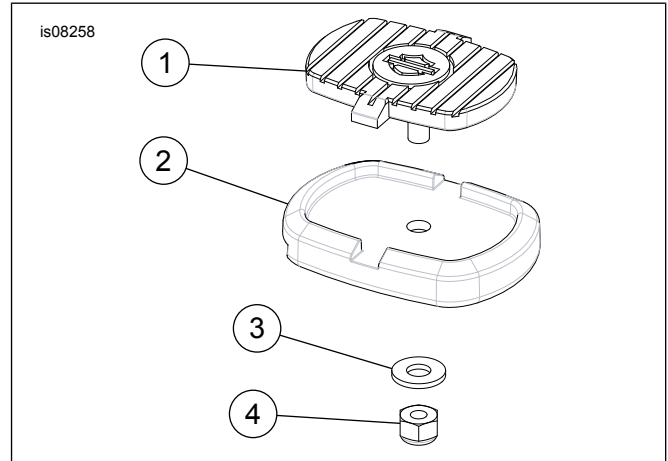


Figure 1. Service Parts

Table 1. Service Parts

Item	Description (Quantity)	Part Number
1	Tread	42718-05
2	Pad housing	42717-05
3	Washer	6703
4	Locknut	7686