



INSTRUCTIONS

J03710

2011-01-17



DOCKING HARDWARE KIT

GENERAL

Kit Number

53964-06B

Models

For model fitment information, see the P&A retail catalog or the Parts and Accessories section of www.harley-davidson.com (English only).

Tools and Supplies Required

Loctite[®] 243 Threadlocker and Sealant - Blue (Part No. 99642-97) is required for the proper installation of this kit.

▲ WARNING

Rider and passenger safety depend upon the correct installation of this kit. If the procedure is not within your capabilities or you do not have the correct tools, have a Harley-Davidson dealer perform the installation. Improper installation of this kit could result in death or serious injury. (00308b)

Kit Contents

See Figure 1 and Table 1.

INSTALLATION

NOTE

Perform the following procedures one side at a time to maintain fender alignment.

Front Docking Point Installation

1. See Figure 1. Remove and discard the fender support **front** screw.
2. Apply a few drops of Loctite 243 - Blue to the threads of a **new** screw (3) from the kit. Install a front docking point (2), tapered end last onto the screw threads, followed by a washer (6).
3. Install the screw to the fender, and tighten to 16–24 N·m (12–18 ft-lbs).

Rear Docking Point Installation

1. Remove and discard the fender support **rear** screw
2. Apply a few drops of Loctite 243 - Blue to the threads of a **new** screw (3) from the kit. Install a rear docking point (1), countersunk end first onto the screw threads, followed by a spacer (4).
3. Install the screw to the fender, and tighten to 16–24 N·m (12–18 ft-lbs).

Reflector Installation

NOTE

- If using docking hardware for sideplate installation, attach reflectors to sideplates prior to riding.
 - Ambient temperature should be **at least** 16 °C (60 °F) for proper adhesion of the reflectors to the sideplates.
1. Clean the sideplate surface of grease, oil and fingerprints with a mixture of 50-70% isopropyl alcohol and 30-50% distilled water. Allow to dry thoroughly.
 2. Remove the liner from the adhesive backing of the reflector, and align the reflector with the bottom edge of the sideplate, centered. Press the reflector firmly into place and hold in position with steady pressure for 30 seconds. Repeat for the other sideplate.

Maintenance

NOTE

In time docking points may wear, causing the mating luggage rack or sideplates to become loose and rattle. The fit may be tightened using the following procedure.

1. Mark each docking point to indicate the current top position.
2. Remove the docking hardware.
3. Thoroughly remove all existing threadlocking agent from the docking point fastener and mounting hole threads before applying new Loctite 243 - Blue to the screw threads.
4. Rotate the docking points clockwise approximately 45 degrees from the previous position.
5. Tighten the docking hardware to the torque value indicated in the installation procedures.

This procedure can be repeated up to three times before replacement of the docking points is recommended.



SERVICE PARTS

is01153b

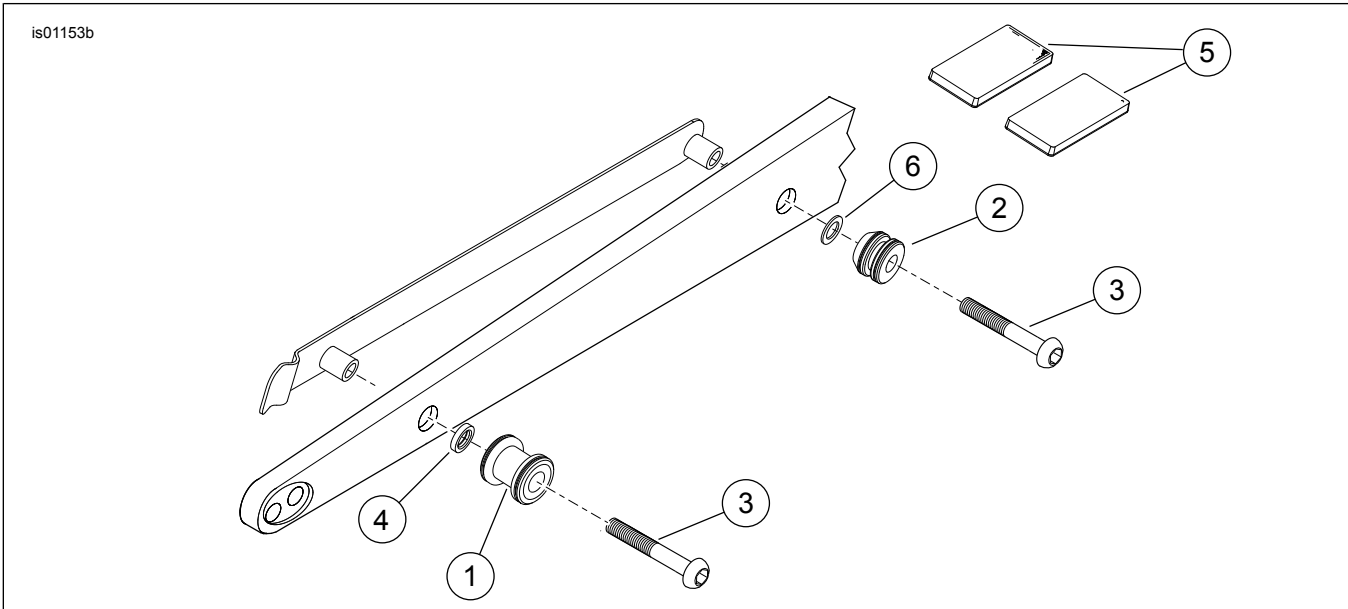


Figure 1. Service Parts: Docking Hardware Kit

Table 1. Service Parts Table: Docking Hardware Kit

Item	Description (Quantity)	Part Number
1	Docking point, rear (2)	53684-96A
2	Docking point, front (2)	53697-06
3	Screw, button head, 3/8-16 x 1-3/4 in (4)	4203
4	Spacer (2)	5699
5	Reflector, red (2)	59266-09
6	Washer (2)	6379W