



INSTRUCTIONS

J06429

2017-08-23



PASSENGER PILLION SEAT KIT

GENERAL

Kit Number

52400128, 52400129

Models

For model fitment information, see the P&A Retail Catalog or the Parts and Accessories section of www.harley-davidson.com (English only).

Installation Requirements

⚠ WARNING

Do not install these seat kits on motorcycles that are not equipped with an appropriate grab strap and passenger footpegs. If footpegs and grab strap are not installed, passenger could fall from moving motorcycle or grab onto operator, causing loss of control and death or serious injury. (00410b)

These kits require the separate purchase of passenger footpegs if installed on a vehicle originally equipped with a solo seat. See the P&A Retail Catalog or the Parts and Accessories section of www.harley-davidson.com (English only) for a list of required parts or accessories for your model.

⚠ WARNING

Rider and passenger safety depend upon the correct installation of this kit. If the procedure is not within your capabilities or you do not have the correct tools, have a Harley-Davidson dealer perform the installation. Improper installation of this kit could result in death or serious injury. (00308b)

Kit Contents

See Figure 2 and Table 1.

REMOVAL

1. Cover painted surfaces with protective material to avoid damage.
2. Remove rear seat mounting screw from seat and discard.

INSTALLATION

1. See Figure 2. Use chalk to mark rear seat mounting point reference on fender.
 - a. Mark the bottom of the four isolators (4) with chalk.
 - b. Set the pillion in place on fender with front and rear mounting holes on the pillion aligned with the mounting locations on the fender.

- c. Press down on the pillion to transfer the marks from the isolators to the fender.

2. Place protective tape (10) on the rear fender over the marks transferred to the fender.

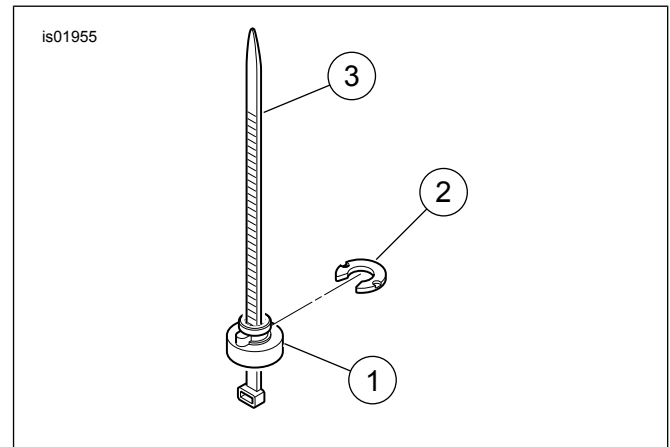


Figure 1. Installation Tool

3. See Figure 1. A retention nut and washer must be installed in the rearmost fender hole.
 - a. A cable strap may be used as an installation aid to install the retention nut and washer. Place the retention nut (1) over the cable strap (3) so the wide end of the nut rests on the eye of the cable strap. Thread the cable strap up under the fender and through the appropriate fender hole. Pull up on the cable strap to hold the nut snug against the underside of the fender.
 - b. With the rib on the retention nut seated into the notch in the appropriate fender hole, slide the retention washer (2) into place from the rear. This will lock the retention nut in place. Remove the cable strap.
4. Place the rear mounting bracket of the solo seat over the front mounting bracket of the pillion. Place the top hat washer between the two brackets. Use a thumbscrew from the kit to secure the solo seat and front mounting bracket of the pillion to the fender.
5. Using thumbscrew from kit, secure the front mounting bracket of the pillion and front solo rider seat to fender.
6. Using a thumbscrew from kit secure the rear mounting bracket of pillion seat to the rear mounting point on the fender.
7. Tighten both thumbscrews firmly.



8. Peel protective backing from thumbscrew medallions. Apply medallions to thumbscrews and press firmly to ensure proper adhesion.

9. Pull up on the solo rider seat and the pillion to make sure seats are fully engaged.

SERVICE PARTS

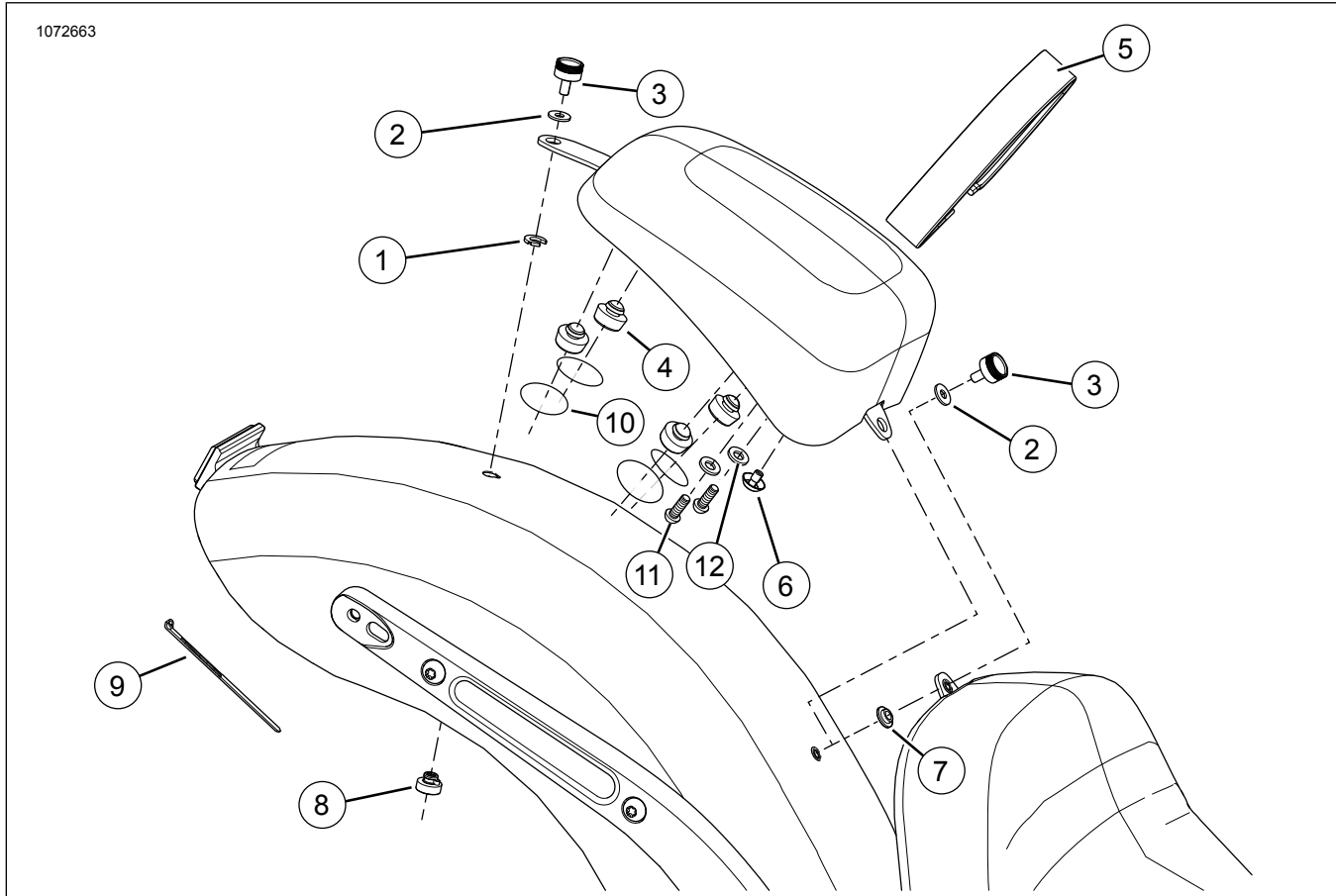


Figure 2. Service Parts: Passenger Pillion Seat Kit

Table 1. Service Parts Table

Item	Description (Quantity)	Part Number
1	Retention washer	7489A
2	Nylon washer (2)	6441
3	Thumb screw (2)	10500092
4	Seat isolator	11100174
5	Grab strap	52400189
6	Plastic nut cap	762
7	Washer, top hat	7487
8	Retention nut	7488
9	Cable Strap	10039
10	Protective tape (4)	11100176
11	Grab strap screws (2)	Not Sold Separately
12	Grab strap washers (2)	Not Sold Separately
13	Decorative medallion (2) (not shown)	11100881