



INSTRUCTIONS

J05417

2022-01-10



JIFFY STAND EXTENSION

GENERAL

Kit Number

50000023, 50000263

Models

For model fitment information, see the P&A Retail Catalog or the Parts and Accessories section of www.harley-davidson.com (English only).

▲ WARNING

Rider and passenger safety depend upon the correct installation of this kit. If the procedure is not within your capabilities or you do not have the correct tools, have a Harley-Davidson dealer perform the installation. Improper installation of this kit could result in death or serious injury. (00308b)

Additional Parts Required

Proper installation of kit 50000023 requires the use of LOCTITE 243 MEDIUM STRENGTH THREADLOCKER AND SEALANT (BLUE) (99642-97).

Kit Contents

See Figure 2 and Table 1.

INSTALLATION

- See Figure 1. Align alignment channel end (1) of extension (1, Figure 2) to end of toe bracket (A, Figure 2) on top of jiffy stand.
- Mark center of hole location on toe bracket.

▲ WARNING

Wear safety glasses or goggles while drilling. Flying debris could result in serious eye injury. (00565b)

- Drill jiffy stand extension mounting hole (B) into toe bracket of jiffy stand as follows:
 - Use a center punch to create a drill point at marked location.
 - Use a 3 mm (1/8 in) drill bit and drill a pilot hole at marked location.
 - Use a 7 mm (9/32 in) drill bit to drill through pilot hole and enlarge hole.
 - Remove any burrs left on drilled hole.

- See Figure 2. **Kit 50000023**: apply a small amount of threadlocker to threads of screw (4).

Consumable: LOCTITE 243 MEDIUM STRENGTH THREADLOCKER AND SEALANT (BLUE) (99642-97)

- Place extension (1) over jiffy stand toe bracket (A).
- Figure 2 Secure extension (1) to toe bracket (A) with screw (4), washer (3) and acorn nut (2). Tighten.

Torque: 0.8 N·m (8 ft-lbs) *Extension screw*

NOTE

Do not step on jiffy stand extension or it may be damaged.

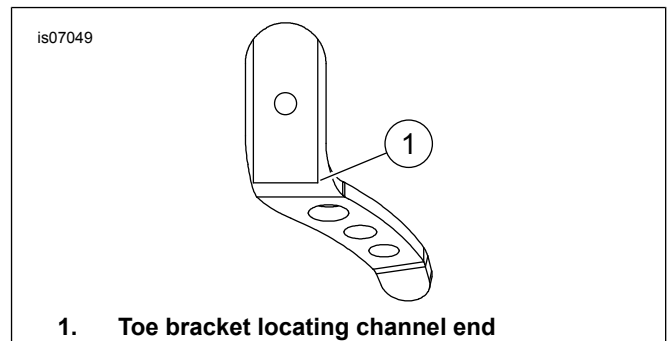


Figure 1. Toe Bracket Locating Channel

SERVICE PARTS

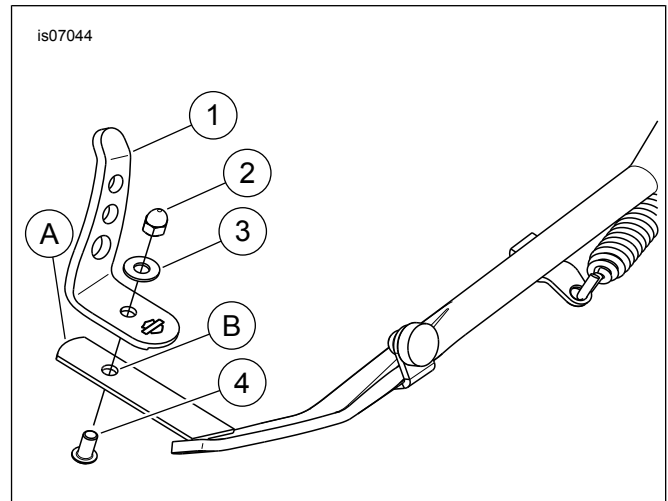


Figure 2. Service Parts: Jiffy Stand Extension

Table 1. Service Parts

Item	Description (Quantity)	Part Number
1	Extension, jiffy stand	Not Sold Separately
2	Nut, acorn, chrome	94004-90T
	Nut, acorn, black	10100167

Table 1. Service Parts

Item	Description (Quantity)	Part Number
3	Washer, chrome	94065-90T
	Washer, black	6424
4	Screw, chrome	94385-92T
	Screw, black	10200816
Items mentioned in text, but not included in kit.		
A	Jiffy stand toe bracket	
B	Drilled hole, 9/32 inch (7 mm)	