



# INSTRUCTIONS

J05578

2015-10-09



## H-D DETACHABLES PREMIUM TWO-UP EXPANDABLE LUGGAGE RACK

### GENERAL

#### Kit Numbers

50300044B, 50300076B

#### Models

For model fitment information, see the P&A retail catalog or the Parts and Accessories section of [www.harley-davidson.com](http://www.harley-davidson.com) (English only).

This kit is not compatible with Tour-Pak<sup>®</sup> luggage.

#### Installation Requirements

Prior or concurrent installation of a 4-Point Docking Hardware Kit is required. This item is available separately from a Harley-Davidson dealer.

Loctite<sup>®</sup> 271 High Strength Threadlocker and Sealant - Red (Part No. 99671-97) is required for proper installation of this kit.

Separate purchase of additional parts or accessories may be required for proper installation of this H-D<sup>®</sup> Detachables<sup>™</sup> Kit. See the P&A retail catalog or the Parts and Accessories section of [www.harley-davidson.com](http://www.harley-davidson.com) (English only) for a list of required parts or accessories.

#### ⚠ WARNING

Rider and passenger safety depend upon the correct installation of this kit. If the procedure is not within your capabilities or you do not have the correct tools, have a Harley-Davidson dealer perform the installation. Improper installation of this kit could result in death or serious injury. (00308b)

#### ⚠ WARNING

Do not exceed luggage rack weight capacity. Too much weight can cause loss of control, which could result in death or serious injury. (00373a)

#### NOTE

Luggage rack capacity is 13.61 kg (30 lb).

#### Kit Contents

See Figure 5 and Table 1.

#### LUGGAGE RACK ASSEMBLY

1. See Figure 1. Set the expandable luggage rack (1), top side up on a clean, non-marring surface.

2. Press the black button (4) on one side rail (3) and pull the rail outward firmly but evenly until a definite **click** is heard. Repeat with the remaining side rail.
3. Turn the rack upside-down on the work surface as shown. Remove the four small button head screws (7) and shipping tabs (8). Take care not to disturb the locking rods (5) or black rod bushings (6). Retain the screws, but recycle or properly dispose of the four shipping tabs.
4. Position the right-side support (9) vertical mounting flange (10) into the indented area (2) on the right side of the luggage rack center section as shown.

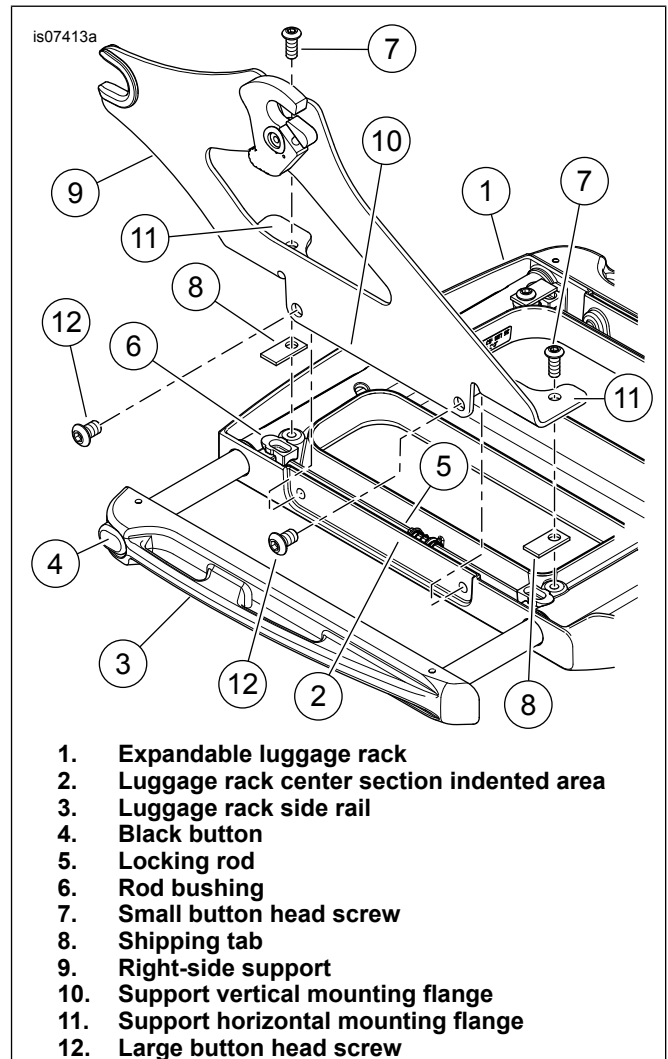


Figure 1. Luggage Rack And Support Assembly



- Apply a few drops of Loctite 271 - Red to the **clean** threads of two small button head screws (7) removed in Step 3. Insert the screws through the holes in the horizontal mounting flanges (11) of the support and into the threaded holes in the rack center section, but do not fully tighten.
- Apply a few drops of LOCTITE 271 THREADLOCKER (red) to the **clean** threads of the two large button head screws (12). Insert into the holes in the vertical mounting flange of the support. Tighten the two small screws (7) to 10.8–13.6 N·m (96–120 **in-lbs**). Tighten the two large screws (12) to 16.3–21.7 N·m (12–16 **ft-lbs**).
- Repeat Steps 4-6 with the left-side support.

- Position the rotary latches (3) over the rear docking points (6). Check to be sure the rotary latches fit into the neck of the rear docking points as shown in Figure 3. This may require some gentle squeezing or spreading of the side plates.

**NOTE**

You must hear a **click** to verify that the rotary latch is completely engaged.

- Push the rear of the side plates downward and close the rotary latches by pressing the latch lever as far forward as it will go. You will hear a **click** when the latch is in place. **If the latch does not easily close, do not force.** Check the alignment again.

**NOTE**

The docking points must be fully engaged. See Figure 2 and Figure 3 for correct engagement. If docking points are not fully engaged the rack could shift position or come loose during operation.

## INSTALLATION

- Unless already in place, install a docking hardware kit using the instructions in **that** kit.
- See Figure 2. While standing behind the motorcycle, place the rack side plate front notches (2) into the forward docking points (4). Make sure the notches seat fully into the mounts.

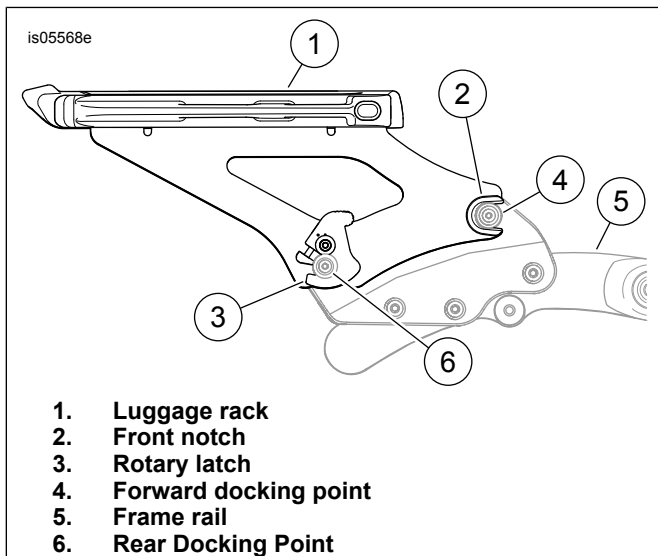


Figure 2. Luggage Rack

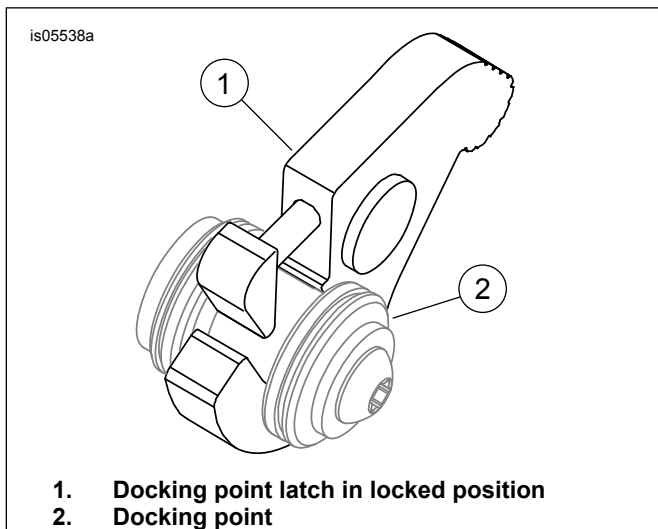


Figure 3. Latch and Docking Point

## RACK LIGHT WIRE ROUTING

See Figure 4. If installing an optional Rack Light Kit (3), route wiring (2) as shown. Mount two clips (1, from **that** kit) in positions shown.

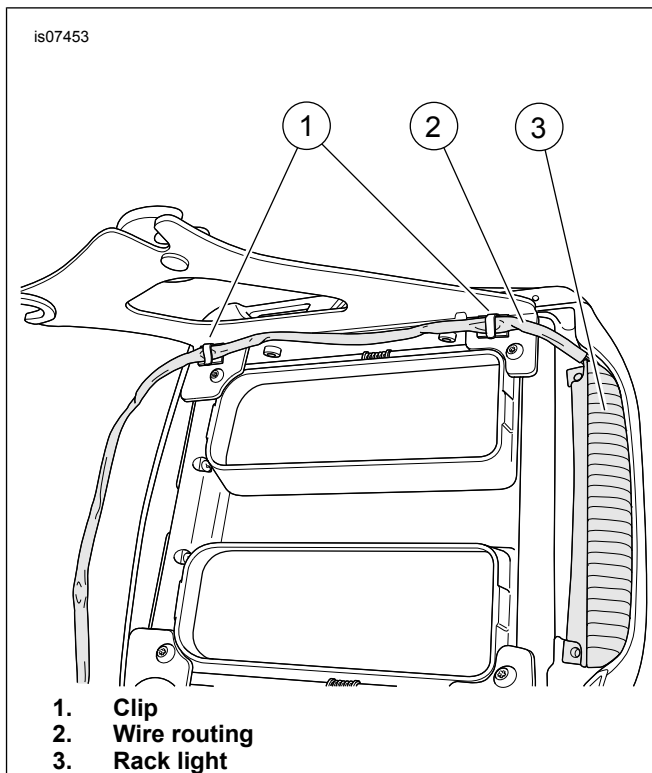


Figure 4. Light Kit Wire Routing

## IN USE

**To extend side rails:** With the rack on the vehicle, press the black button on the side rail and pull outward firmly but evenly. Repeat on the opposite side.

**To retract side rails:** With the rack on the vehicle, press the black button on the side rail and push inward firmly but evenly. Repeat on the opposite side.

## CARE AND MAINTENANCE

- Slide tubes should be kept clean and free of dirt and debris.

- After use in the extended position wipe any contamination from the slide tubes prior to retracting the side rails.
- A light coat of Harley Lube (Part No. 94968-09) or silicone grease should occasionally be applied to the slide tubes.

## SERVICE PARTS

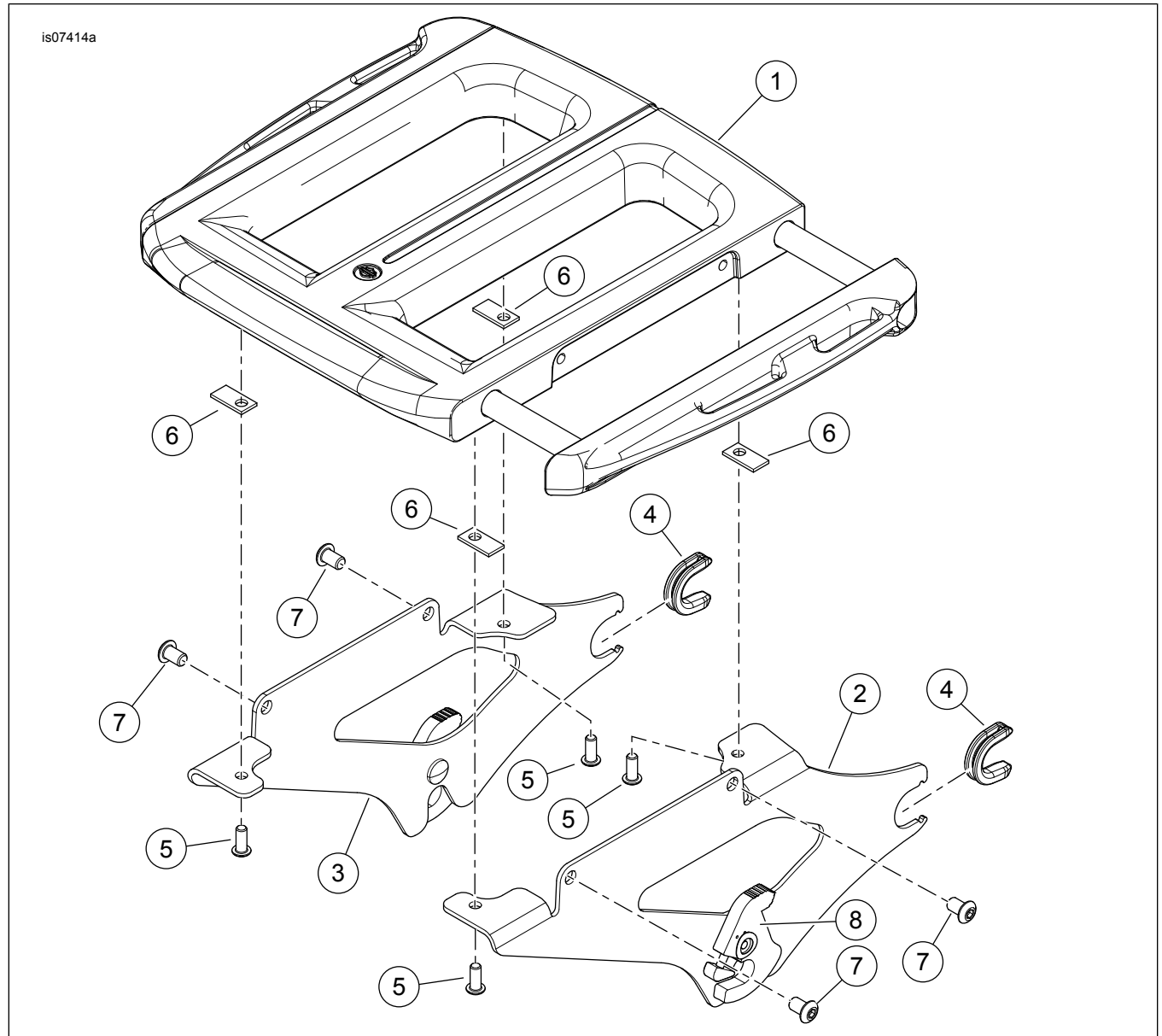


Figure 5. Service Parts, H-D Detachables Premium Two-Up Expandable Luggage Rack

Table 1. Service Parts

Item	Description (Quantity)	Part Number
1	Expandable rack assembly	Not sold separately
2	Support assembly, right (includes Item 4)	Not sold separately
3	Support assembly, left (includes Item 4)	Not sold separately
4	• Docking point bushing	52682-09
5	Screw, hex socket button head, 1/4-20 x 16 mm (5/8 in) long (4)	924
6	Shipping tab (4)	Not sold separately
7	Screw, hex socket button head, 5/16-18 x 12.7 mm (1/2 in) long (4)	3340
8	Rotary latch assembly (2)	50300108