



# INSTRUCTIONS

J06274

2017-01-16



## OIL COOLER COVER

### GENERAL

#### Kit Number

25700633, 25700634

#### Models

For model fitment information, see the P&A Retail Catalog or the Parts and Accessories section of [www.harley-davidson.com](http://www.harley-davidson.com) (English only).

#### Installation Requirements

##### ⚠ WARNING

Rider and passenger safety depend upon the correct installation of this kit. If the procedure is not within your capabilities or you do not have the correct tools, have a Harley-Davidson dealer perform the installation. Improper installation of this kit could result in death or serious injury. (00308b)

#### Kit Contents

Table 1

### REMOVAL

1. See Figure 1. Remove oil cooler cover (1).
  - a. Pull lower part of cover out and away from motorcycle.
  - b. Detach upper portion of cover from motorcycle.
2. Detach wire clips (2) from bracket.
3. Remove screws (3). Discard.

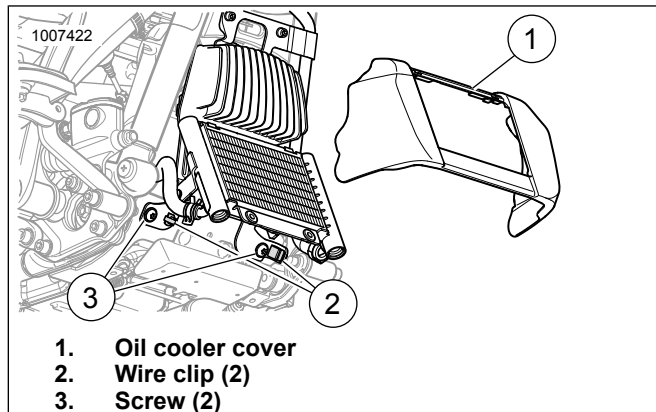


Figure 1.

### INSTALLATION

1. See Figure 2. Install lower bracket (6) with **new** lower bracket mounting screws (4).  
Torque: 27.1–29.8 N·m (20–22 ft-lbs)
2. Install oil cooler cover (2) so that tab (3) of cover fits behind regulator (1).
3. Install oil cooler cover mounting screws (5) through cover and into lower bracket (6).  
Torque: 13.6–14 N·m (120–124 in-lbs)

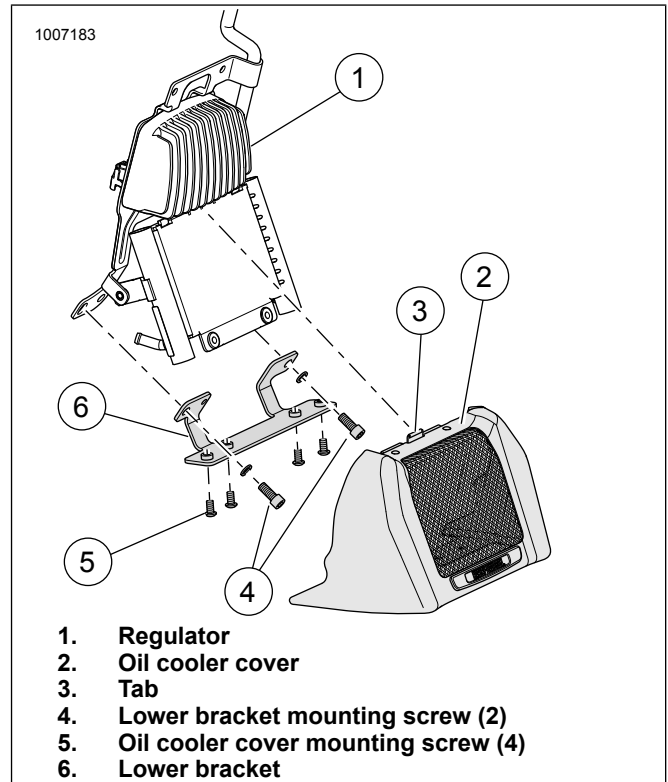


Figure 2.

### SERVICE PARTS

Table 1. Service Parts Table

Description (Quantity)	Part Number
Oil cooler cover	Not Sold Separately
Socket head screw (2)	3228
Button head screw (4)	4365
Lower bracket	Not Sold Separately