



INSTRUCTIONS

J04767

2017-06-14



H-D DETACHABLES TWO-UP LUGGAGE RACK

GENERAL

Kit Number

54215-09A, 50300042A

Models

For model fitment information, see the P&A Retail Catalog or the Parts and Accessories section of www.harley-davidson.com (English only).

Installation Requirements

- Separate purchase of extra parts or accessories may be required for proper installation of this H-D® Detachables™ Kit. See the P&A retail catalog or the Parts and Accessories section of www.harley-davidson.com (English only) for a list of required parts or accessories.
- For fitment issues, adjust your docking hardware according to the I-sheet (-J05999) included in the docking hardware kit.

⚠ WARNING

Rider and passenger safety depend upon the correct installation of this kit. If the procedure is not within your capabilities or you do not have the correct tools, have a Harley-Davidson dealer perform the installation. Improper installation of this kit could result in death or serious injury. (00308b)

⚠ WARNING

Do not exceed luggage rack weight capacity. Too much weight can cause loss of control, which could result in death or serious injury. (00373a)

NOTE

Luggage Rack capacity is 10 lbs.

Kit Contents

See Figure 3 and Table 1.

INSTALLATION

1. Install a docking point kit using the kit instructions.
2. See Figure 1. While standing behind the motorcycle, place the rack side plate notches (2) into the forward docking points (4). Make sure the notches seat fully into the mounts.
3. See Figure 2. Position the rotary latches (1) over the rear docking points (2). Check the rotary latches fit into the neck of the rear docking points as shown. This may require some gentle squeezing or spreading of the side plates.

4. Push the rear of the side plates downward. Close the rotary latches by pressing the latch lever as far forward as it goes. You hear a **CLICK** when the latch is in place. **If the latch does not easily close, do not force.** Recheck alignment.

NOTE

You must hear a **CLICK** to verify that the rotary latch is completely in engaged.

The docking points must be fully engaged. See Figures 1 and 2 for correct engagement. If docking points are not fully engaged, it could shift position or come loose during operation.

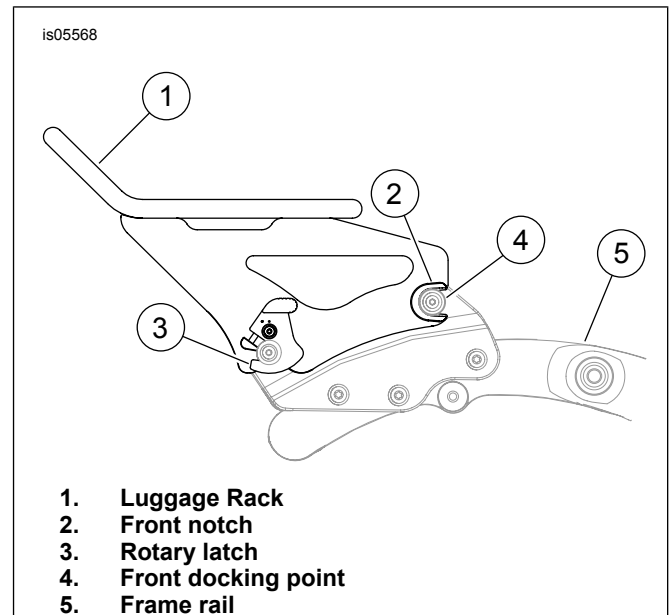


Figure 1. Luggage Rack



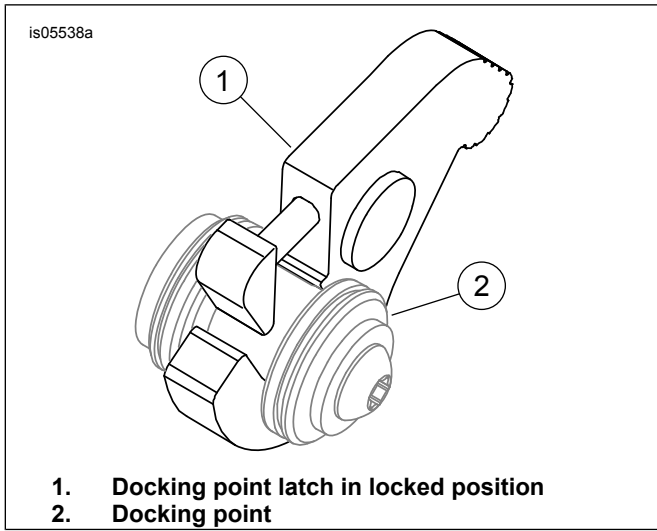


Figure 2. Latch and Docking Point

- To remove the luggage rack, press the release button on each side. Push the rotary latch levers back. Carefully lift the rear of the side plates up. Pull the side plate notches out of the forward docking points.

SERVICE PARTS

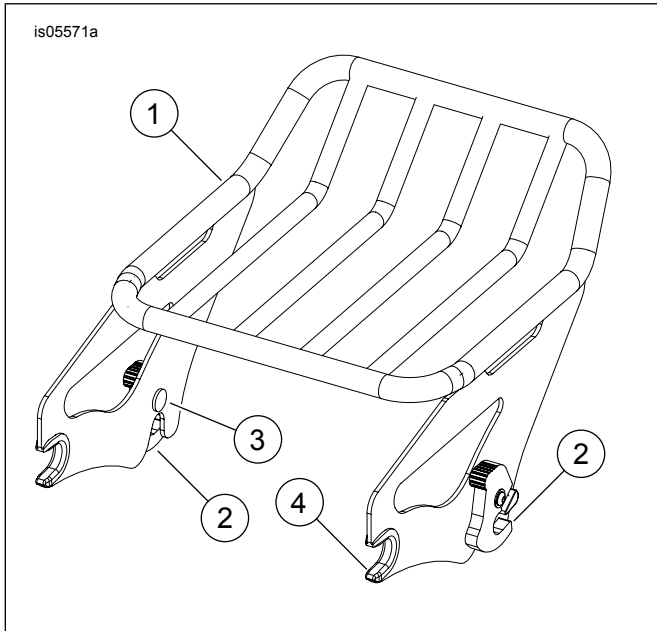


Figure 3. Service Parts: H-D Detachables Two-Up Luggage Rack

Table 1. Service Parts

Item	Description (Quantity)	Part Number
1	Detachable two-up rack, chrome	Not Sold Separately
2	Rotary latch assembly (2)	50300108
3	Splined stud (2)	Not Sold Separately
4	Docking point bushing (2)	52682-09
5	Label, (not shown)	Not Sold Separately
6	Wave washer (not shown)	6828
7	Flat washer, stainless steel (not shown)	6827
8	Button head screw (not shown)	2957