



INSTRUCTIONS

J05736

2015-07-09



H-D DETACHABLES FLS/FXS SOLO LUGGAGE RACK

GENERAL

Kit Number

50300099A

Models

For model fitment information, see the P&A retail catalog or the Parts and Accessories section of www.harley-davidson.com (English only).

This rack can only be used with a solo seat.

Installation Requirements

Separate purchase of additional parts or accessories may be required for proper installation of this H-D® Detachables™ Kit. See the P&A retail catalog or the Parts and Accessories section of www.harley-davidson.com (English only) for a list of required parts or accessories.

⚠ WARNING

Federal Motor Vehicle Safety Standard (FMVSS) 108 requires motorcycles to be equipped with rear and side reflectors. Be sure rear and side reflectors are properly mounted. Poor visibility of rider to other motorists can result in death or serious injury. (00336b)

Models equipped with a center-mount license plate and fender-mounted reflectors require installation of a red (Part No. 67900223) or amber (Part No. 67900224) reflector kit. Select the appropriate kit based on the color reflector that was previously installed on the fender.

⚠ WARNING

Rider and passenger safety depend upon the correct installation of this kit. If the procedure is not within your capabilities or you do not have the correct tools, have a Harley-Davidson dealer perform the installation. Improper installation of this kit could result in death or serious injury. (00308b)

⚠ WARNING

Do not exceed luggage rack weight capacity. Too much weight can cause loss of control, which could result in death or serious injury. (00373a)

NOTE

Maximum luggage rack weight capacity is 4.5 kg (10 lb).

Kit Contents

See Figure 3 and Table 1.

PREPARATION

1. Install docking hardware and a turn signal relocation kit per the instructions in **those** kits.
2. Install a license plate relocation kit if necessary per the instructions in **that** kit.

INSTALLATION

1. See Figure 3. Stand behind the motorcycle, holding the rack assembly (1) with the rotary latches (4) toward you. Hook the front notches (A) of the rack over the forward docking points.
2. Pull the rack assembly rearward to make sure that the notches seat fully into the forward docking points. See Figure 1 for views of correct and incorrect notch engagement.
3. See Figure 2. Position the rotary latches (3) over the rear docking points (2).

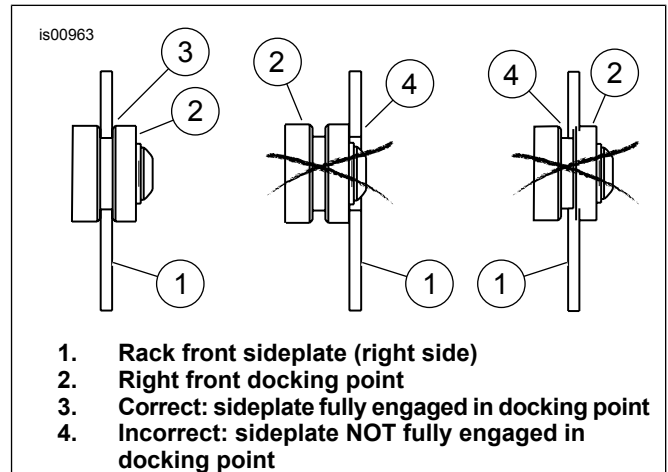


Figure 1. Luggage Rack Fit to Front Docking Points

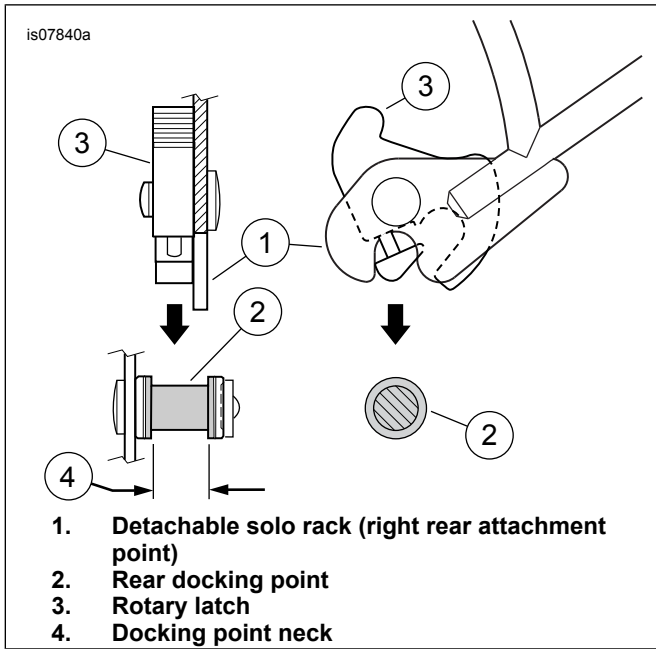


Figure 2. Proper Alignment of Latch in Rear Docking Point, Views in Direction of Arrows (B) and (C)

4. See Figure 3, arrows (B) and (C) and Figure 2. Check to make sure the rotary latches (3) fit into the neck (4) of the rear docking points (2) as shown. This may require some gentle squeezing or spreading of the rack side plates (1).

NOTE

You must hear a **CLICK** to verify that the rotary latch is engaged.

The docking points must be fully engaged. See Figure 2 for correct engagement. If docking points are not fully engaged, rack could shift position or come loose during operation.

5. Push the rear of the rack downward. Close the latches by pressing the latch levers as far forward as they go. You hear a **CLICK** when each latch is in place. **If the latch does not easily close, do not force.**
6. Check the rack alignment again, as described in Steps 1 through 4. See Figure 1 and Figure 2.

REMOVAL

1. To remove the luggage rack:
 - a. Press the release button on each side.
 - b. Pull the rotary latch levers back.
 - c. Lift the rear of the rack up. Push the front notches out of the forward docking points.
 - d. Carefully remove the rack.

SERVICE PARTS

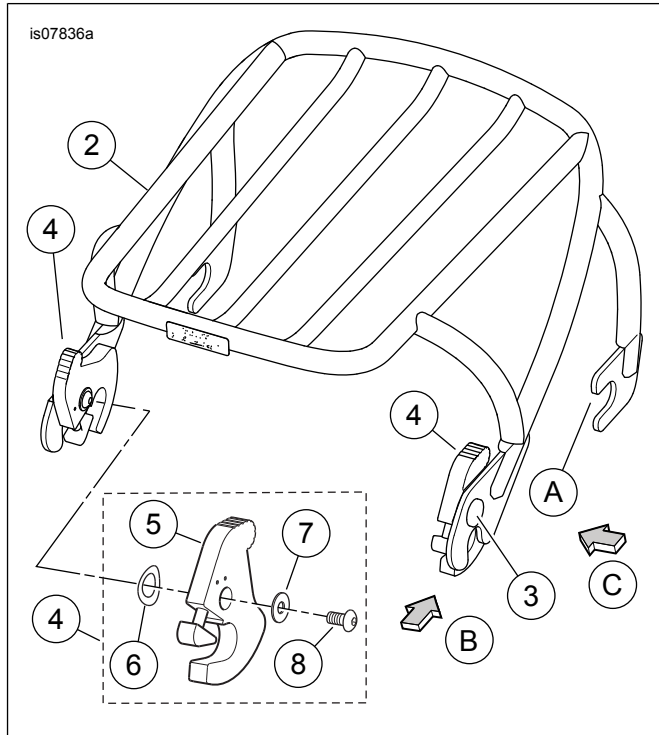


Figure 3. Service Parts, H-D Detachables FLS/FXS Solo Luggage Rack

Table 1. Service Parts

Item	Description (Quantity)	Part Number
1	Detachable solo luggage rack, FLS/FXS (includes Items 2-4)	Not sold separately
2	• Luggage rack weldment	Not sold separately
3	• Pivot stud (2)	Not sold separately
4	• Rotary latch kit (Both include Items 5-8)	50300108
5	• ... Rotary latch assembly	Not sold separately
6	• ... Wave washer	6828
7	• ... Flat washer, stainless steel	6827
8	• ... Screw, button head	2957

Items mentioned in text, but not included in kit.	
A	Front notch
B	To front of vehicle (view direction for Figure 2)
C	To left side of vehicle (view direction for Figure 2)