



INSTRUCTIONS

J04033

2008-05-28



SOFTAIL SEAT KITS

GENERAL

Kit Numbers

51570-00A, 51764-06, 51802-07, 52292-00A, 52361-00A, 52442-04A, 51813-09

Models

For model fitment information, see the P&A Retail Catalog or the Parts and Accessories section of www.harley-davidson.com (English only).

Additional Parts Required

▲ WARNING

Rider and passenger safety depend upon the correct installation of this kit. If the procedure is not within your capabilities or you do not have the correct tools, have a Harley-Davidson dealer perform the installation. Improper installation of this kit could result in death or serious injury. (00308b)

NOTE

See Table 1 to determine the fitment style of the motorcycle.

Fitment A: Use rear seat bracket and rear mounting screw from stock seat. Replacement seat bracket (51652-97), is available for purchase separately.

Fitment B: Use rear seat bracket and rear mounting screw provided in kit.

Table 1. Bracket Fitment

Model	2000	2001	2002	2003	2004	2005	2006	2007-Later
FXST	A	A	A	A	A	A	-	-
FXSTB	A	A	A	A	A	A	-	-
FXSTS	A	A	A	A	A	A	-	-
FLSTC	A	A	A	A	A	A	B	B
FLSTF	A	A	A	A	A	A	A	-
FLST	-	-	-	-	-	-	B	-
FLSTSC	-	-	-	-	-	B	B	B

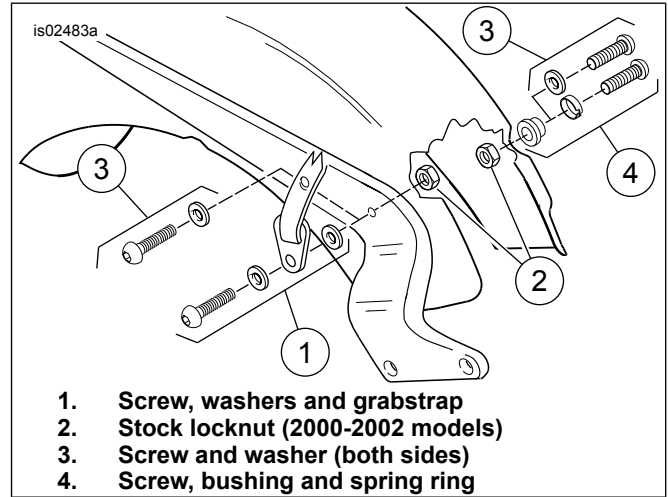


Figure 1. Grabstrap Mounting Location

NOTE

A service manual for your model motorcycle is available from a Harley-Davidson Dealer.

Kit Contents

See Figure 3 and Table 2.

INSTALLATION

1. **Models with grab strap attached to fender struts:** Refer to the owner's manual and detach the left side of the grab strap.

2. Refer to the owner's manual for removal of stock seat.

NOTE

2000-2002 model motorcycles use locknuts to retain the grab strap. 2003 and later model motorcycles use an inner fender mounting bracket with a threaded hole.

3. **Models with grab strap attached to fender struts:** See Figure 1. Remove and discard screw, washers and grab strap (1) from the right side, and the screw, bushing and spring ring from the left side (4). For 2000-2002 models: Retain inner fender locknuts for later installation. **Models without grab strap attached to fender struts:** See Figure 1. Remove and discard screw and washer (3) from each side. For 2000-2002 models: Retain inner fender locknuts for later installation.

NOTE

Models with solo seats (with or without a detachable pillion) use a stud plate which must be secured, with two flange nuts from the kit, when the seat and pillion mounting stud nuts are removed.

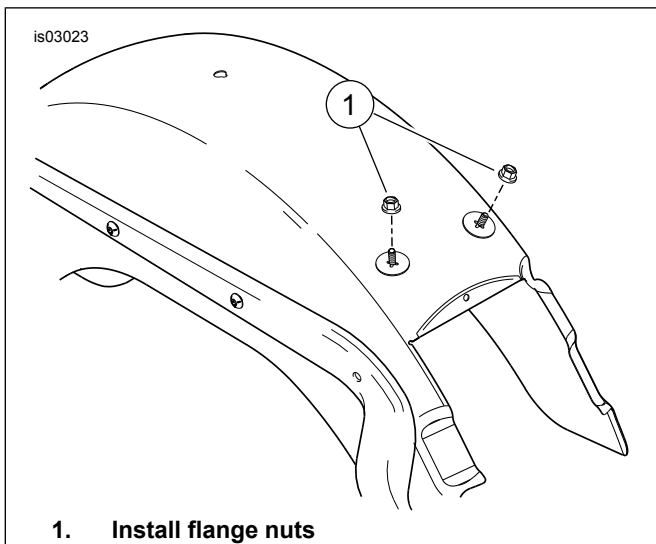


Figure 2. Flange Nut Locations

4. **For models equipped with solo rider seats fastened with two mounting nuts:** See Figure 2. Install flange nuts from the kit onto the seat mounting studs. For other models proceed to step 5.

5. See Table 1 to determine the fitment style of the motorcycle, then refer to Figure 3 to install the seat bracket. **For Fitment A:** Remove two screws (8) and rear seat mounting bracket (2) from the stock seat, then install it to the seat (1) from the kit. Tighten the screws to 2.1 N·m (19 in-lbs). **For Fitment B:** Install two screws (8) and the rear seat mounting bracket (2) to the seat (1) from the kit. Tighten the screws to 2.1 N·m (19 in-lbs).

▲ WARNING

After installing seat, pull upward on seat to be sure it is locked in position. While riding, a loose seat can shift causing loss of control, which could result in death or serious injury. (00070b)

6. Install new seat (1) on the motorcycle by inserting the tab at front of seat into slot at the rear of fuel tank.

7. **For Fitment A:** Secure seat to fender with stock retaining screw removed in step 1. **For Fitment B:** Secure seat to fender with seat retaining screw (6) from the seat kit.

8. See Figure 3 and Table 1 and install grab strap as follows: **For 2000-2002 models:** Install kit screws (4) through washers (3, 5) and grab strap (9) as shown, and into the fender support. Secure screws with locknuts (A) removed in step 3. Tighten to 28–37 N·m (21–27 ft-lbs). **For 2003 and later models:** Install kit screws (4) through washers (3, 5) and grab strap (9) as shown, and into the inner fender mounting bracket. Tighten to 28–37 N·m (21–27 ft-lbs).

SERVICE PARTS

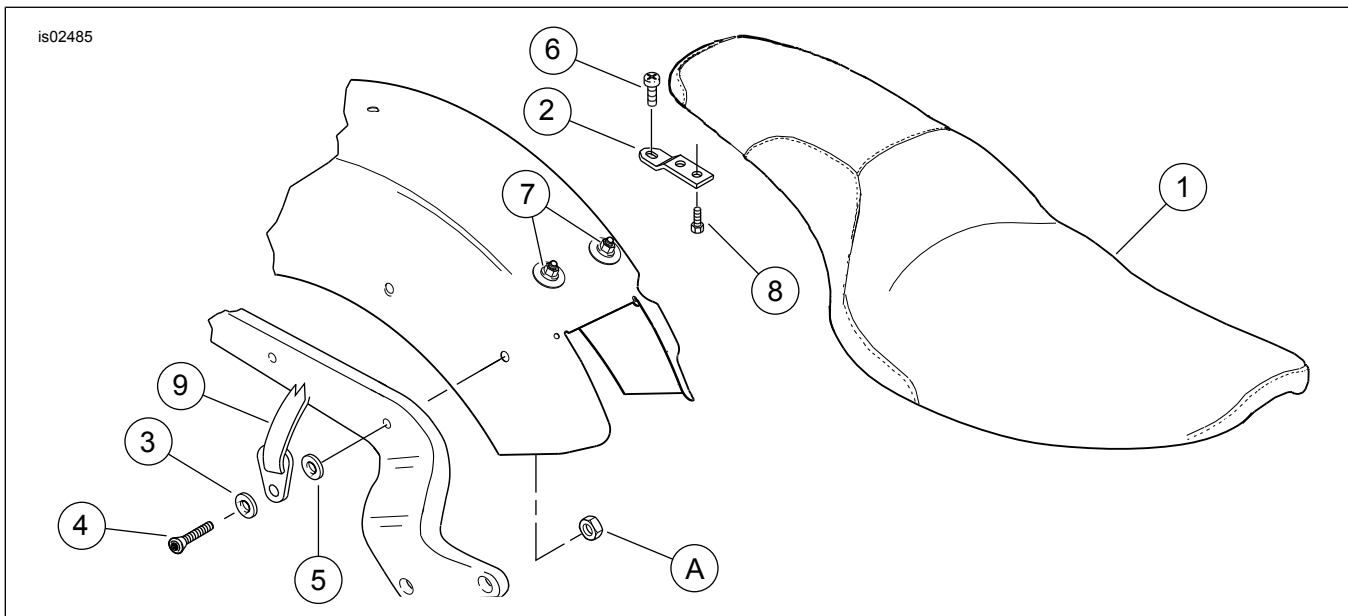


Figure 3. Service Parts: Softail Seat Kit

Table 2. Service Parts: Softail Seat Kit

Item	Description (Quantity)	Part Number
1	Seat (Generic seat shown)	Not Sold Separately
2	Rear seat bracket	51857-06
3	Washer (2)	6379W
4	Screw, button head Torx, 3/8-16 X 1-1/2 in. (2)	4180
5	Washer, thick (2)	6019
6	Screw, truss head, SEMS, 1/4-20	2952A

Table 2. Service Parts: Softail Seat Kit

Item	Description (Quantity)	Part Number
7	Nut, flange (2)	8021
8	Screw, hex head, 1/4-20 X 1/2 in. (2)	3588
9	Grab strap for kits 51764-06, 51570-00A, 51802-07 and 51813-09	52982-05
	Grab strap for kits 52292-00A, and 52361-00A	51186-89B
	Grab strap for kit 52442-04A	51206-00
Items mentioned in text, but not included in kit:		
A	Use stock locknut on 2000-2002 models only.	
B	Leather Care kit (not shown) (for kit 52361-00A only).	Not sold separately
C	Replacement concho kit (not shown) (for kit 51802-07 only) (includes 1 concho, backing plate, and retention nut)	91850-00
D	Chrome spot replacement kit (not shown) (for kits 51802-07 and 51813-09, includes 10 spots)	93037-09