



INSTRUCTIONS

J03772

2008-10-09



DYNA FENDER MOUNTING KIT

GENERAL

Kit Number

91822-06

Models

For model fitment information, see the P&A Retail Catalog or the Parts and Accessories section of www.harley-davidson.com (English only).

Additional Parts Required

Installation of this kit will require Loctite® 243 Threadlocker and Sealant - Blue (99642-97), and is available from any Harley-Davidson dealer.

Some models require a Turn Signal Relocation Kit. See the P&A Retail Catalog or a Harley-Davidson dealer.

Kit Contents

See Figure 5 and Table 1.

⚠ WARNING

Rider and passenger safety depend upon the correct installation of this kit. If the procedure is not within your capabilities or you do not have the correct tools, have a Harley-Davidson dealer perform the installation. Improper installation of this kit could result in death or serious injury. (00308b)

INSTALLATION

Models with Detachable Rack or Sissy Bar

1. Install turn signal relocation kit (if required) according to kit instructions.
2. See Figure 1. Work on one side of the vehicle at a time. Remove and discard two fender mounting screws (1).
3. Remove front docking point (4) and rear docking point (5). Save for later use.

NOTE

Recess cover (6) (if equipped) can be reused or discarded and replaced with a new recess cover from the kit.

4. Remove recess cover (6) (if equipped).

NOTE

Apply Loctite 243 (blue) to last four threads of docking point screws.

5. See Figure 2. **Front Screw:** Install new mini docking point (1) and front docking point (6) onto new button head screw (2). Thread screw through front hole of fender support (7) and into new fender mounting bracket (3).
6. **Rear Screw:** Install mini docking point (1) and washer (4) onto button head screw (2) from the installation kit. Install rear docking point (8) (with flat side of docking point toward washer) and recess cover (5) (if equipped) onto screw. Thread screw through the rear hole of the fender support (7) and into the new fender mounting bracket (3).
7. Tighten both front and rear screws to 28–37 N·m (21–27 ft·lbs).
8. Repeat steps for the other side.

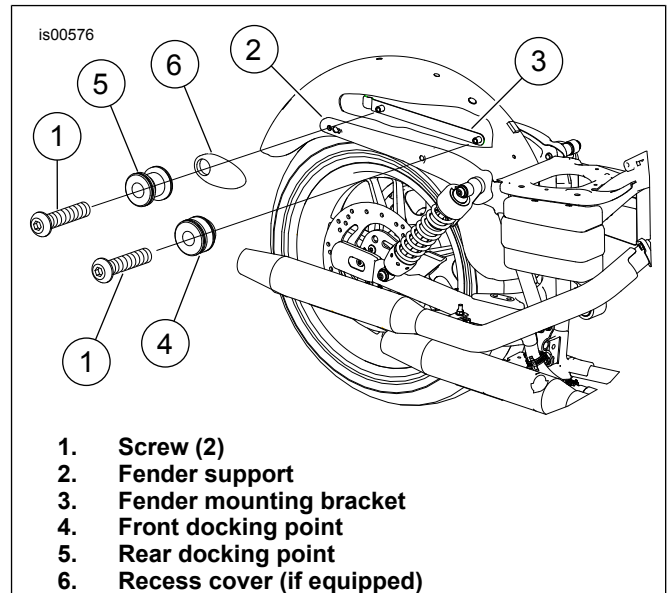


Figure 1. Models with Detachable Accessories

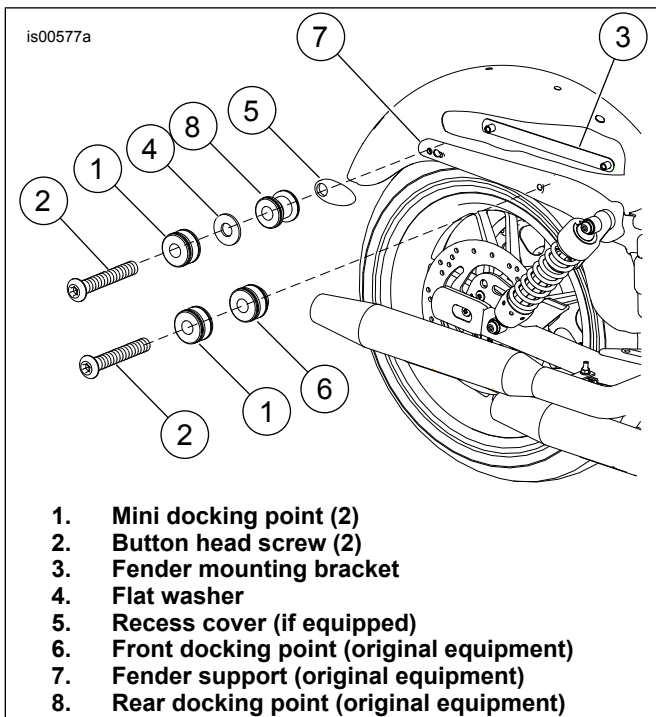


Figure 2. Install Fender Mounting Kit (Models with Detachable Accessories)

Models without Detachable Rack or Sissy Bar

- For all models except 2006-2008 FXDWG and FXDF models: Install turn signal relocation kit according to kit instructions.

NOTE

For 2006-2008 FXDWG and all FXDF models only: Stock fender mounting bracket (2) can be reused or discarded and replaced with a new fender mounting bracket from the kit.

- For all models: See Figure 3. Work on one side of the vehicle at a time. Remove and discard stock fender mounting screw (1) and stock fender mounting bracket (2) from fender support (3).

NOTE

The rear hole on the stock fender mounting bracket is not threaded. Both holes on the bracket in the docking hardware kit are threaded.

- See Figure 4. Place new fender mounting bracket (3) inside fender so the threaded bosses fit inside the two holes in the fender.

NOTE

Apply Loctite 243 (blue) to last four threads of docking point screws.

- Front Screw: Install mini docking point (1) and front spacer (6) onto button head screw (2) from the installation kit. Thread screw through the front hole of the fender support (8) and the new fender mounting bracket (3).

- Rear Screw: Install mini docking point (1) and washer (4) onto button head screw (2) from the installation kit. Install the new rear spacer (7) and the new recess cover (5) (if equipped) onto screw. Thread screw through rear hole of the fender support (8) and into the new fender mounting bracket (3).

- Tighten both front and rear screws to 28–37 N·m (21–27 ft·lbs).

- Repeat steps for the other side.

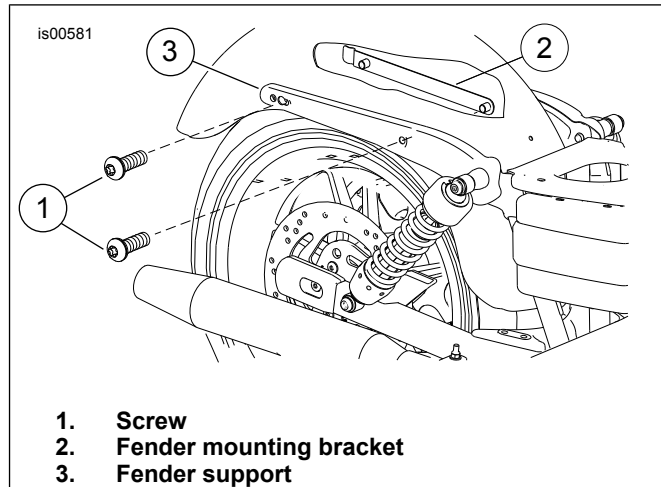


Figure 3. Models without Detachable Accessories

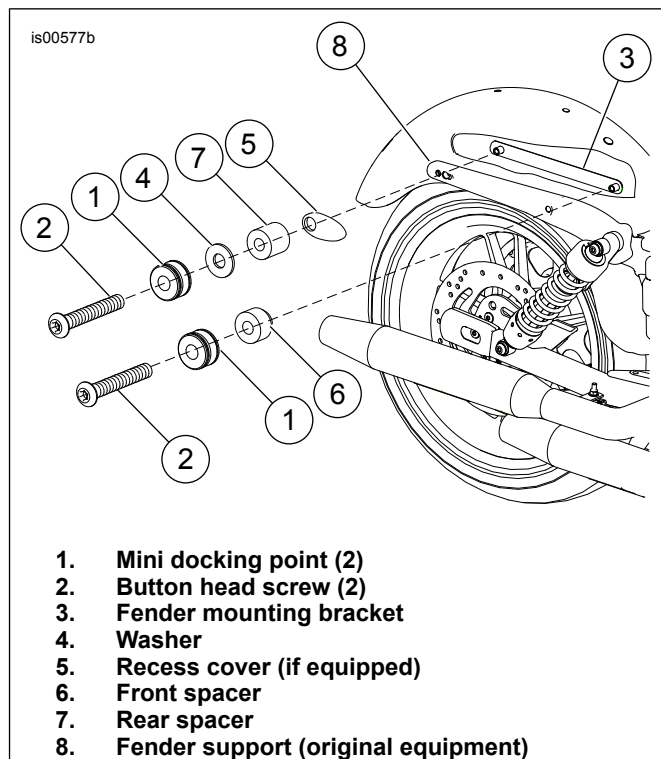


Figure 4. Install Fender Mounting Kit (Models without Detachable Accessories)

SERVICE PARTS

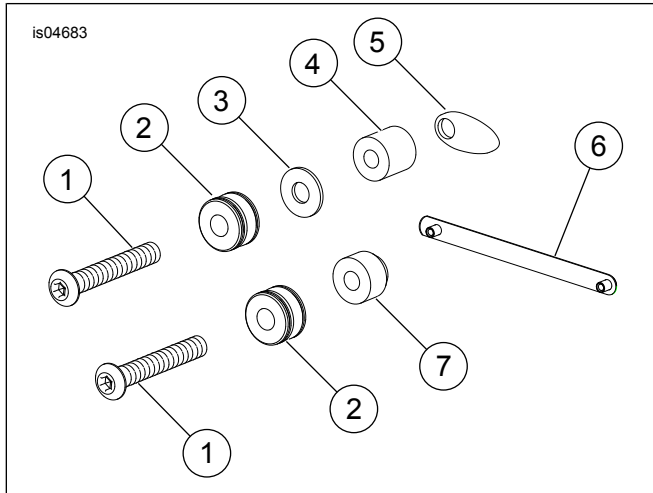


Figure 5. Service Parts: Dyna Fender Mounting Kit

Table 1. Service Parts: Dyna Fender Mounting Kit

Item	Description (Quantity)	Part Number
1	Screw, button head TORX [®] , 3/8-16 x 2-1/2 inch (4)	4030
2	Mini docking point (4)	53967-06
3	Washer (2)	6139
4	Rear spacer (2) (without detachable rack or sissy bar only)	11801
5	Recess cover (2) (for all models except FXDWG, FXDF and FXDB)	47531-06
6	Fender mounting bracket (2)	60198-06
7	Front spacer (2) (without detachable rack or sissy bar only)	11802