



INSTRUCTIONS

J06151

2017-07-27



ELECTRA GLO STEALTH AUXILIARY LED RUN/BRAKE/TURN LAMPS

GENERAL

Kit Numbers

67800554, 67800555, 67800574, 67800575

Models

For model fitment information, see the P&A retail catalog or the Parts and Accessories section of www.harley-davidson.com (English only).

Installation Requirements

This kit requires the installation of an Electrical Connection Harness (Part No. 69200722) unless one has already been installed.

Service Manual Required

⚠ WARNING

Rider and passenger safety depend upon the correct installation of this kit. If the procedure is not within your capabilities or you do not have the correct tools, have a Harley-Davidson dealer perform the installation. Improper installation of this kit could result in death or serious injury. (00308b)

NOTE

This instruction sheet refers to service manual information. A service manual for this year/model motorcycle is available from a Harley-Davidson dealer.

Electrical Overload

NOTICE

It is possible to overload the vehicle's charging system by adding too many electrical accessories. If the combined electrical accessories operating at any one time consume more electrical current than the vehicle's charging system can produce, the electrical consumption can discharge the battery and cause damage to the vehicle's electrical system. (00211d)

⚠ WARNING

When installing any electrical accessory, be certain not to exceed the maximum amperage rating of the fuse or circuit breaker protecting the affected circuit being modified. Exceeding the maximum amperage can lead to electrical failures, which could result in death or serious injury. (00310a)

This kit requires up to **300 mA** additional current from the electrical system.

Kit Contents

See Figure 4 and Table 1.

PREPARATION

⚠ WARNING

To prevent accidental vehicle start-up, which could cause death or serious injury, remove main fuse before proceeding. (00251b)

NOTE

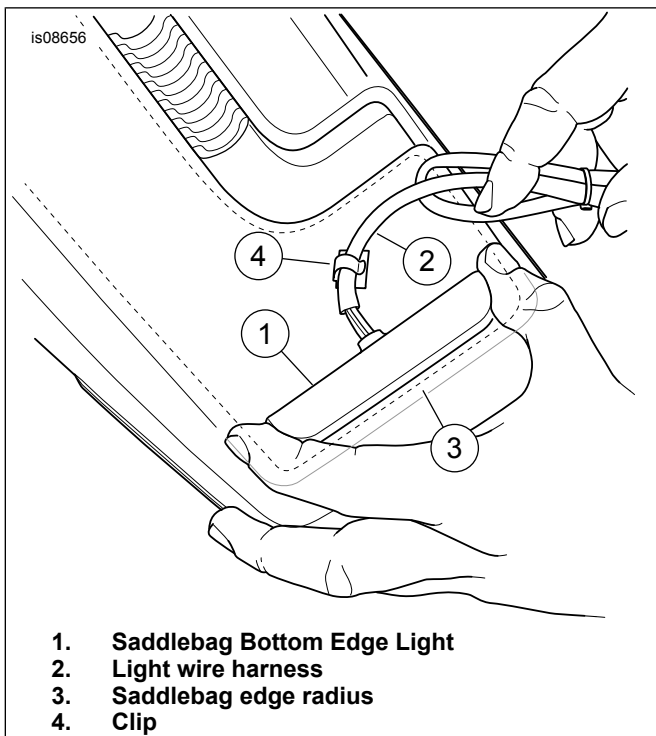
- **For vehicles equipped with security siren:** With security fob present, turn ignition switch ON. After system is disarmed, turn ignition switch OFF. **IMMEDIATELY** remove the main fuse per the service manual.
- **For vehicles WITHOUT security siren:** See the service manual to remove the main fuse.

1. See service manual. Remove main fuse.

INSTALLATION

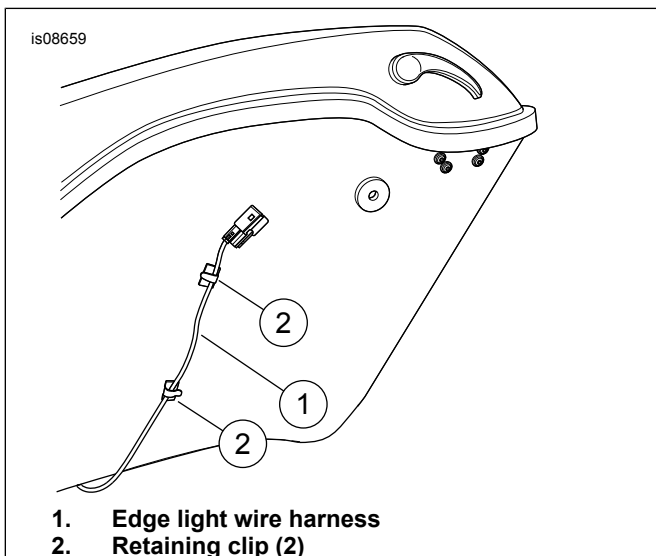
1. See the service manual. Remove the right saddlebag from the vehicle.
2. See the service manual. Remove the saddlebag lid.
3. Position the saddlebag upside down on a protected surface with the latch loops overhanging the edge.
4. Clean the saddlebag in the installation area with a mixture of equal parts of isopropyl alcohol and distilled water. Allow to dry completely.
5. See Figure 1. With the adhesive backing still in place, test fit an edge light:
 - a. Align the saddlebag bottom edge light (1) with the edge of the radius (3) on the bottom of the saddlebag.
 - b. Verify that the light makes contact all along the saddlebag base.
 - c. Hold the light in place and trace reference marks on the saddlebag with a contrasting colored grease pencil.
 - d. Remove the light from its test fit location.





1. Saddlebag Bottom Edge Light
2. Light wire harness
3. Saddlebag edge radius
4. Clip

Figure 1. Install Saddlebag Bottom Edge Light



1. Edge light wire harness
2. Retaining clip (2)

Figure 2. Retain Wire Harness

6. Remove the adhesive tape backing from the edge light.
7. Position the edge light as in the test fit above.
8. Apply firm sliding pressure in all tape areas.
9. Remove the reference marks.
10. See Figure 1. Secure wiring harness (2) near edge light with a retaining clip (4).
11. See the service manual. Install the saddlebag lid.
12. See the service manual. Install the saddlebag to the vehicle. Do not install 1/4 turn fasteners.

13. See Figure 2. Tilt the saddlebag outward to gain access inner wall of the saddlebag. Route the edge light wire harness (1) towards the front of the motorcycle. Avoid pinch points that could damage the wire harness. Secure with two retaining clips (2).
14. Install saddlebag into proper position. Secure with 1/4 turn fasteners.
15. Repeat procedure for the left saddlebag.
16. See Figure 3. Disconnect harness connector [7A] (1). Connect jumper harness to connector (1). Connect OE connector to the jumper harness connector.

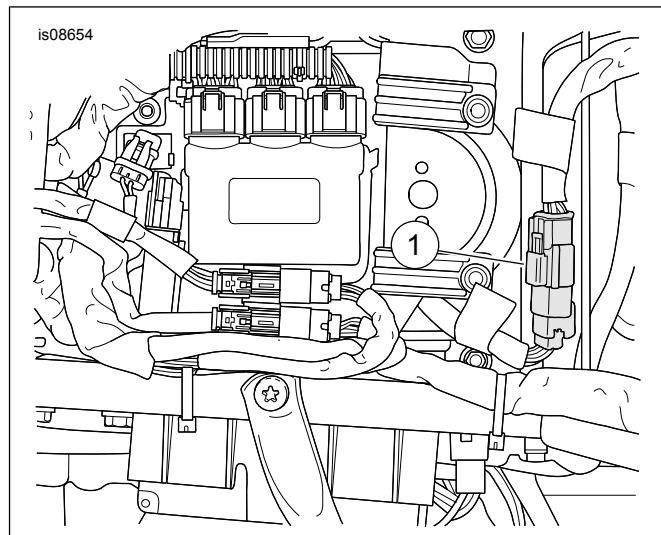


Figure 3. Run/Brake Light Connector [7A]

17. Route one leg of the harness toward the right saddlebag. Route the other leg toward the left saddlebag.
18. Open the right saddlebag. Release the saddlebag from the vehicle by removing the 1/4 turn fasteners. Tilt the saddlebag outward to gain access to the edge light wire harness.
19. Connect the jumper harness connector to the edge light connector on the saddlebag.
20. Install saddlebag into proper position. Secure with 1/4 turn fasteners.
21. Repeat for the opposite side.

COMPLETION

1. See the service manual. Install the main fuse.
2. See the service manual. Install seat. After installing seat, pull up on the seat to verify that it is secure.

⚠ WARNING

Be sure that all lights and switches operate properly before operating motorcycle. Low visibility of rider can result in death or serious injury. (00316a)

3. Test the rear stop, tail, turn and hazard lighting functions.
 - With the ignition in the ON position, edge lights are ON.
 - With the ignition in the ACC position, edge lights are OFF.
- With the ignition in the OFF position, edge lights are OFF.

SERVICE PARTS

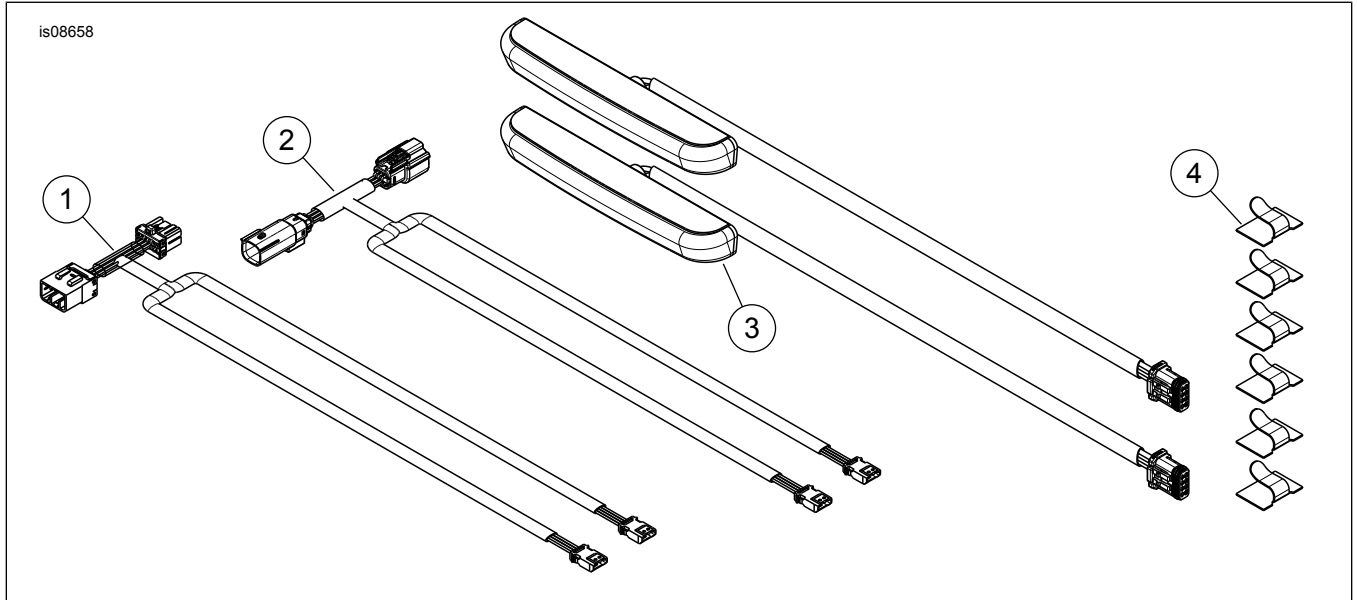


Figure 4. Service Parts: Electra Glo Stealth Auxiliary LED Run/Brake/Turn Lamps

Table 1. Service Parts Table

| Item | Description (Quantity) | Part Number |
|------|--|-------------|
| 1 | Wiring harness, jumper, 1997-2013 models (included in kits 67800574 and 67800575) | 69201312 |
| 2 | Wiring harness, jumper, 2014 and later models (included in kits 67800554 and 67800555) | 69201311 |
| 3 | Saddlebag bottom edge light, smoke (2) | 67800573 |
| | Saddlebag bottom edge light, red (2) | 67800572 |
| 4 | Clip (6) | 10102 |