



# INSTRUCTIONS

J06531

2018-01-16



## UPRIGHT PASSENGER BACKREST PAD

### GENERAL

#### Kit Numbers

52300504

#### Models

For model fitment information, see the P&A retail catalog or the Parts and Accessories section of [www.harley-davidson.com](http://www.harley-davidson.com) (English only).

#### Installation Requirements

##### ⚠ WARNING

Rider and passenger safety depend upon the correct installation of this kit. If the procedure is not within your capabilities or you do not have the correct tools, have a Harley-Davidson dealer perform the installation. Improper installation of this kit could result in death or serious injury. (00308b)

#### Kit Contents

See Figure 1 and Table 1

#### PREPARE

1. On the rear of the backrest pad, feel through the backrest material and locate mounting holes.
2. Carefully cut the clear plastic rain seal away from the screw holes. This will prevent the plastic from catching in the screw threads.

#### INSTALLATION

##### NOTE

Items A, B and C are in the Rigid Mount Sissy Bar Upright kit.

1. Install backrest pad.
  - a. Align recessed channels of the backrest pad (1) with the upright bars of the backrest assembly (C).
  - b. Align backrest support (B) with the holes in the backrest pad (1).
  - c. Install screws (A).
  - d. Tighten.

Torque: 1.1–1.7 N·m (10–15 in-lbs)

##### NOTE

Do not over-tighten screws due to risk of stripping off threads.

#### SERVICE PARTS

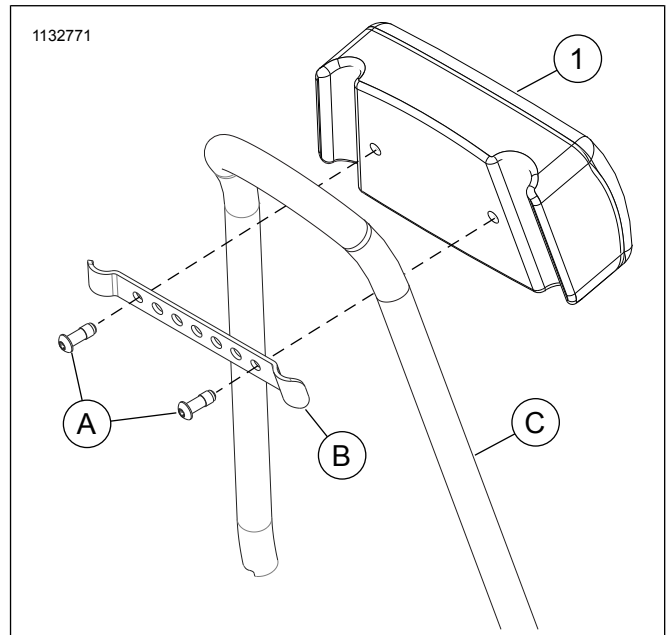


Figure 1.

Table 1. Service Parts 52300502 Black Backrest

Item	Description (Quantity)	Part Number
1	Backrest pad	Not sold separately
Items mentioned in text but not included in kit.		
A	Screw, 1/4-28 Button head Torx™ (2)	
B	Backrest support	
C	Backrest assembly	

