



INSTRUCTIONS

J04595

2010-01-24



CHROME INNER PRIMARY COVER

GENERAL

Kit Number

60885-10

Models

For model fitment information, see the P&A Retail Catalog or the Parts and Accessories section of www.harley-davidson.com (English only).

▲ WARNING

Rider and passenger safety depend upon the correct installation of this kit. If the procedure is not within your capabilities or you do not have the correct tools, have a Harley-Davidson dealer perform the installation. Improper installation of this kit could result in death or serious injury. (00308b)

Kit Contents

See Figure 2 and Table 1.

INSTALLATION

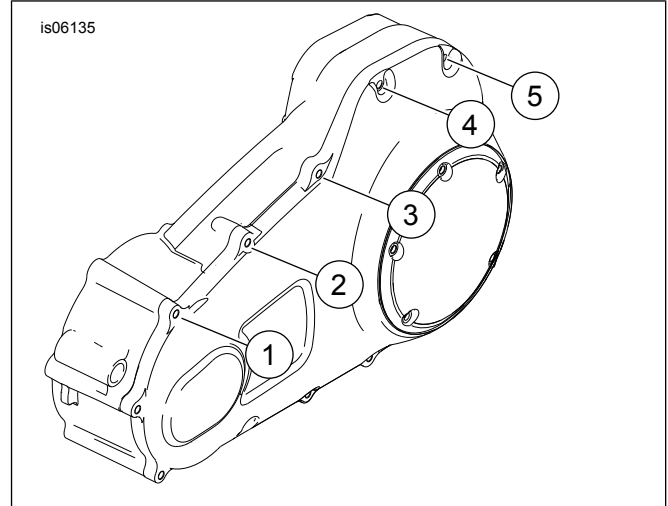


Figure 1. Remove Original Equipment Screws 1, 2, 3 and 5 As Shown. Do not remove screw 4.

1. See Figure 1. Remove and discard screws (1, 2, 3 and 5). Do **not** remove screw (4).
2. See Figure 2 and Table 1. Position the inner primary cover (1) over the inner primary housing and primary cover.
3. Install new screws. Tighten all four screws to 12.2–13.6 N·m (108–120 in-lbs).
4. Install the five Allen hole plug (4) covers to the heads of the five exposed screws.
5. Check for proper shift linkage operation and clearance before operating the motorcycle.

SERVICE PARTS

is06134b

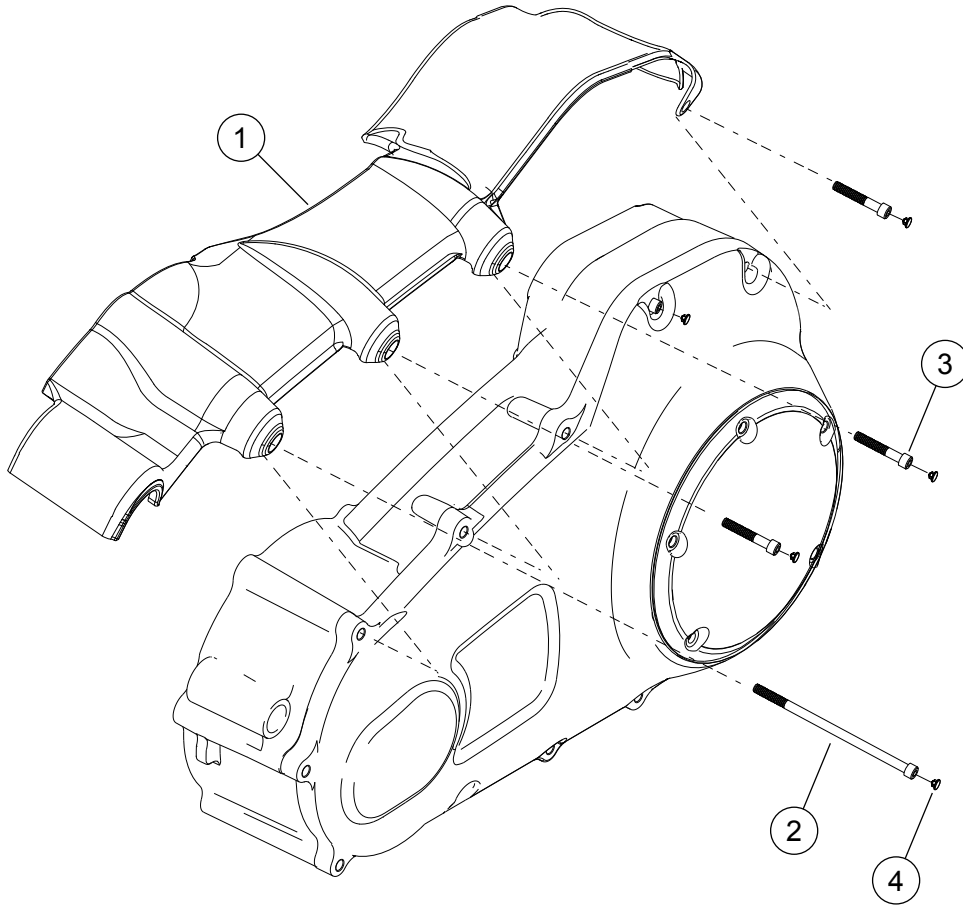


Figure 2. Service Parts: Chrome Inner Primary Covers

Table 1. Service Parts

Item	Description (Quantity)	Part Number
1	Inner primary cover	Not Sold Separately
2	Screw, 1/4-20 x 5 in.	Not Sold Separately
3	Screw, 1/4-20 x 1-1/2 in. (3)	Not Sold Separately
4	Hole plug (5)	94130-93T