



INSTRUCTIONS

J03278

2015-06-04



CHROME H-D DETACHABLES TOUR-PAK RACK KIT

GENERAL

Kit Number

53655-04A

Models

For model fitment information, see the P&A retail catalog or the Parts and Accessories section of www.harley-davidson.com (English only).

Installation Requirements

Separate purchase of extra parts or accessories may be required for proper installation of this H-D® Detachables™ Kit. See the P&A retail catalog or the Parts and Accessories section of www.harley-davidson.com (English only) for a list of required parts or accessories.

⚠ WARNING

Rider and passenger safety depend upon the correct installation of this kit. If the procedure is not within your capabilities or you do not have the correct tools, have a Harley-Davidson dealer perform the installation. Improper installation of this kit could result in death or serious injury. (00308b)

⚠ WARNING

Do not exceed Tour-Pak weight capacity. Too much weight can cause loss of control, which could result in death or serious injury. (00401c)

NOTE

See label inside Tour-Pak®, operator's manual or Tour-Pak installation instructions for weight capacity limits.

Kit Contents

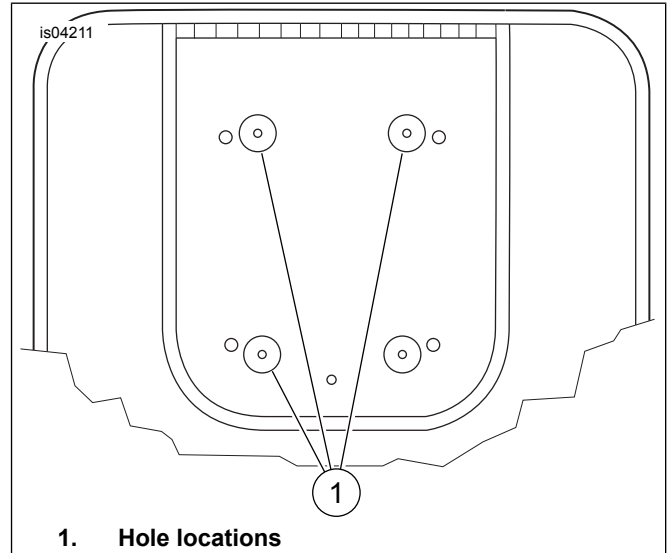
See Figure 4 and Table 1.

INSTALLATION

1. Remove the rubber mat lining the bottom of the Tour-Pak.

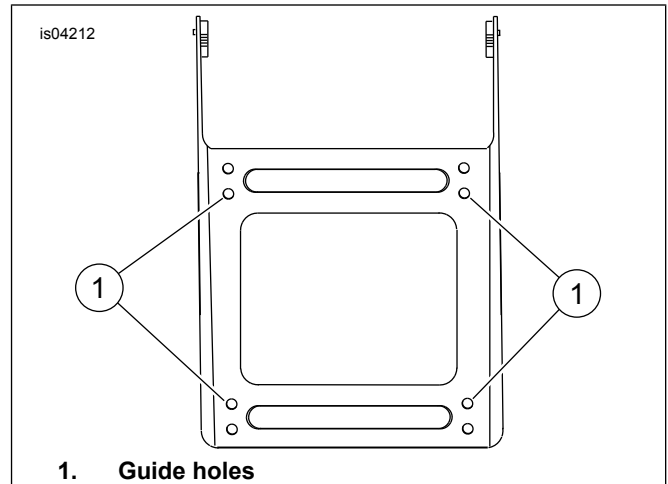
NOTE

If holes are not pre-drilled in your Tour-Pak, go to Step 2.
If holes are pre-drilled in your Tour-Pak, go to Step 3.



1. Hole locations

Figure 1. Drill Holes for Tour-Pak Attachment



1. Guide holes

Figure 2. Top View of Detachable Rack

2. See Figure 2. Place blocks of wood underneath the Tour-Pak where the holes are drilled to prevent damage to the leather while drilling. Use the pre-drilled holes (1) in the metal base as a guide. Carefully drill the holes through the Tour-Pak in the proper location using a 11/32 in drill bit.
3. Attach Tour-Pak to rack using the bolts, washers and nuts provided in this kit. Put bolt through from inside of Tour-Pak. Tighten to 19 ft-lbs (25 Nm).
4. Place the black rubber mat on the bottom of the Tour-Pak.

5. See Figure 3. Position the latches over the front docking points (2). Check to verify the latches (3) fit into the neck (7) of the rear docking points as shown. Positioning can require some gentle squeezing and spreading of the rack.
6. Push the rear of the rack downward and close the latches by pressing the latch lever as far forward as it goes. You hear a CLICK when the latch is in place. If the latch does not easily close, do not force. Recheck alignment as described in Step 2.
7. To remove the Tour-Pak, press the release button (9) on each side. Pull the rotary latch levers (3) back. Carefully lift the rear of the Tour-Pak rack up. Pull the rack out of the front docking points.
8. When installing this accessory the steering head bearing must be adjusted per service manual.

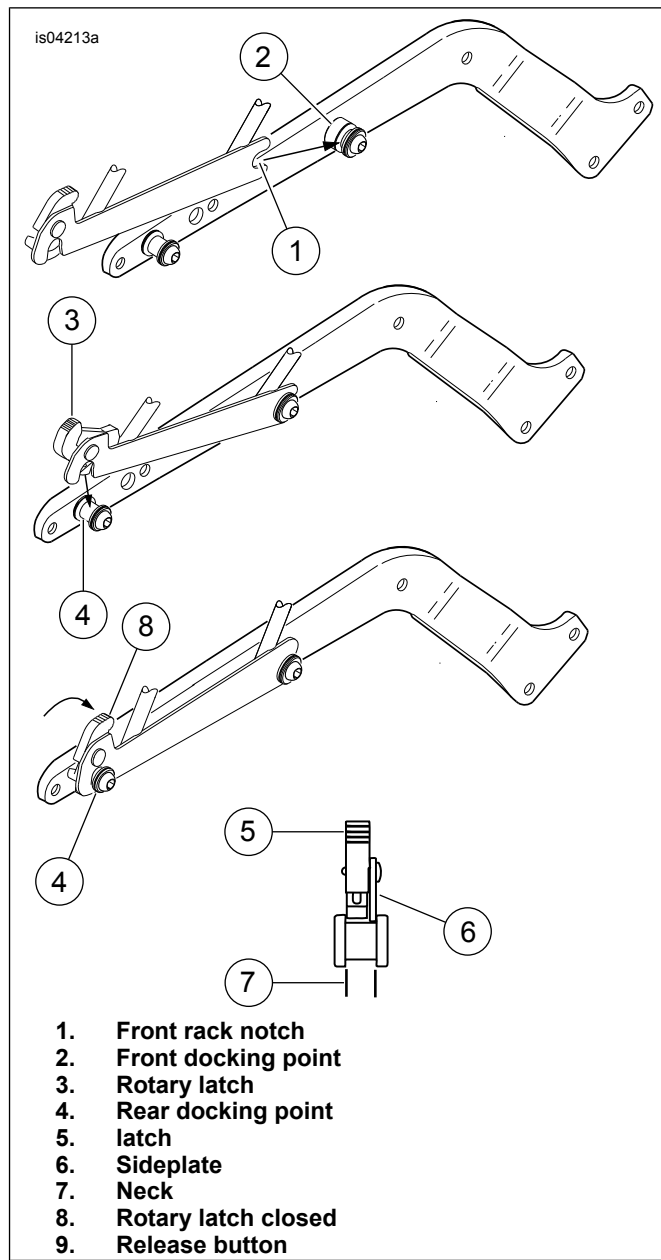


Figure 3. Solo Pak Installation Sequence

SERVICE PARTS

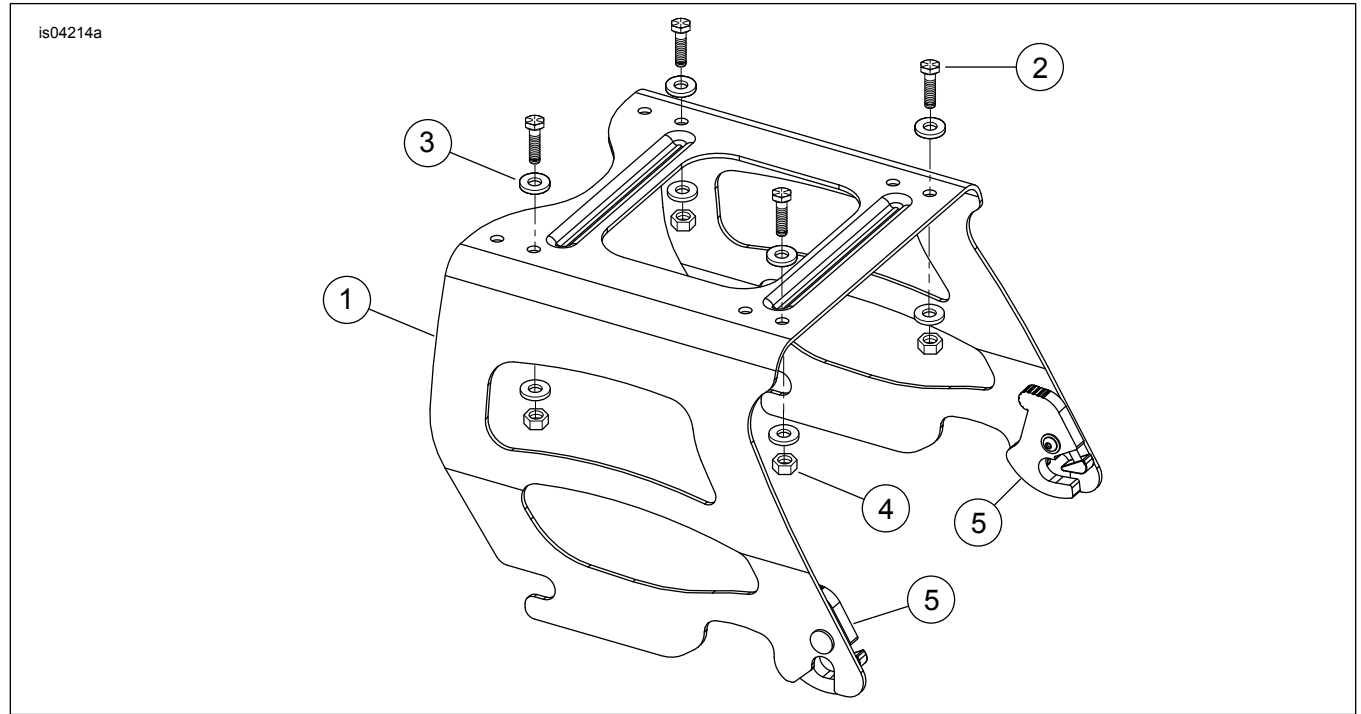


Figure 4. Service Parts: Solo H-D Detachables Tour-Pak Rack Kit

Table 1. Service Parts Table

Item	Description (Quantity)	Part Number
1	Assembly, detachable solo Tour-Pak rack, chrome	Not Sold Separately
2	Bolt, hex cap (4)	4017
3	Washer (8)	6016
4	Locknut (4)	7739
5	Rotary latch assembly (2)	50300108