



INSTRUCTIONS

J05893

2014-07-03



THROW-OVER SADDLEBAG KIT

GENERAL

Kit Number

90200906

Models

For model fitment information, see the P&A retail catalog or the Parts and Accessories section of www.harley-davidson.com (English only).

Installation Requirements

Loctite[®] 243 Threadlocker and Sealant - Blue (Part No. 99642-97) to install mounting screws.

▲ WARNING

Rider and passenger safety depend upon the correct installation of this kit. If the procedure is not within your capabilities or you do not have the correct tools, have a Harley-Davidson dealer perform the installation. Improper installation of this kit could result in death or serious injury. (00308b)

Kit Contents

See Figure 3 and Table 1.

INSTALLATION

1. See the owner's manual. Remove main fuse.

NOTE

- To prevent fender from falling unexpectedly, install one saddlebag support at a time.
- Fender screws also secure a spacer, sargee guard or other accessory. Hold the spacer or accessory in place to prevent cosmetic damage to the fender.

2. Remove two screws securing rear fender. Discard screws. See the service manual.

NOTE

- If vehicle has a passenger backrest or luggage rack, do not install spacers (12, 13).
- Chamfer on spacers (12, 13) must face inboard.

3. See Figure 3. Secure saddlebag support:

- a. Apply Loctite 243 (Blue) to the threads on the screws before installing. Pass forward screw (11) through saddlebag support, front spacer (12), fender support cover (C), support cover spacer (B) and fender (A). Verify that chamfer on spacer is facing inboard. Secure to frame finger-tight.

- b. Repeat with rear screw using rear spacer (13).
- c. Install screw (11) to secure rear of saddlebag support.
- d. Tighten screws (11) to 45–55 N·m (34–40 ft-lbs).

4. Repeat step with remaining saddlebag support.

5. Install reflector kit.

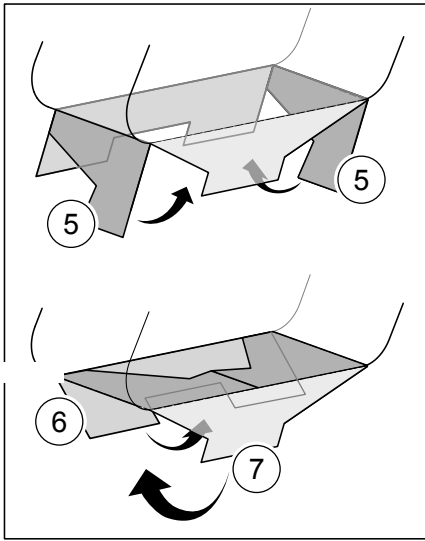
- a. Select the same color reflector (4) as originally equipped.
- b. Clean the reflector mounting area with 50:50 mix of isopropyl alcohol and water. Allow to dry completely.
- c. Secure reflectors to reflector brackets (5, 6).
- d. Secure reflector brackets to the license plate bracket using the hardware provided. Or, use the existing license plate mounting hardware. Reflector brackets mount behind license plate bracket with flange facing out.
- e. Adjust so reflectors clear the saddlebags when installed.

6. See the owner's manual. Install main fuse.

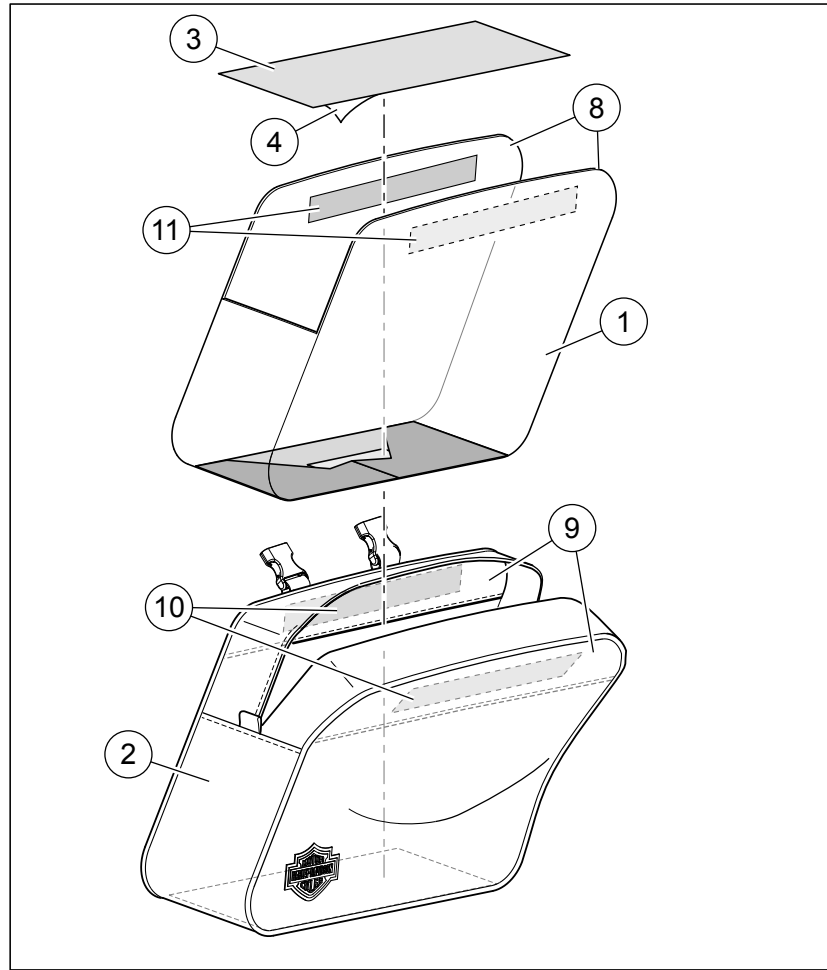
7. Install Bag Stiffeners.

- a. See Figure 1. Fold tabs (5) inward.
- b. Fold tab (6) inward.
- c. Fold tab (7) inward and tuck the edge into the opening on tab (6) as shown.
- d. Peel the backing (4) from panel (3).
- e. Apply panel (3) to the bottom of the stiffener (1) to cover the bottom.
- f. Slide the stiffener (1) into saddlebag (2).
- g. Begin with the front edge of the stiffener (8). Tuck under the flap (9) securing with hooks (11) and loops (10)
- h. Repeat steps **f** and **g** on the other side of the bag.
- i. Repeat steps **a** through **h** for the other saddlebag and stiffener.





is07954a



- 1. Stiffener
- 2. Saddlebag
- 3. Panel
- 4. Panel backing
- 5. Tabs (2)
- 6. Tab with notch

- 7. Tab with tongue
- 8. Front edge
- 9. Flaps for stiffener
- 10. Loops
- 11. Hooks

Figure 1. Stiffener and Bag

OPERATION

1. See Figure 2. Place saddlebag mounting pouch (1) over the inner hoop of the saddlebag bracket.
2. Secure retainer (2) onto saddlebag support cross member by pulling up on the yoke clips (3). A positive snap feel verifies engagement.
3. Repeat with the remaining saddlebag.
4. See Figure 3. Install yoke (3) onto saddlebags and over seat. Cinch tight until saddlebags are secure.
5. Reverse steps to remove.

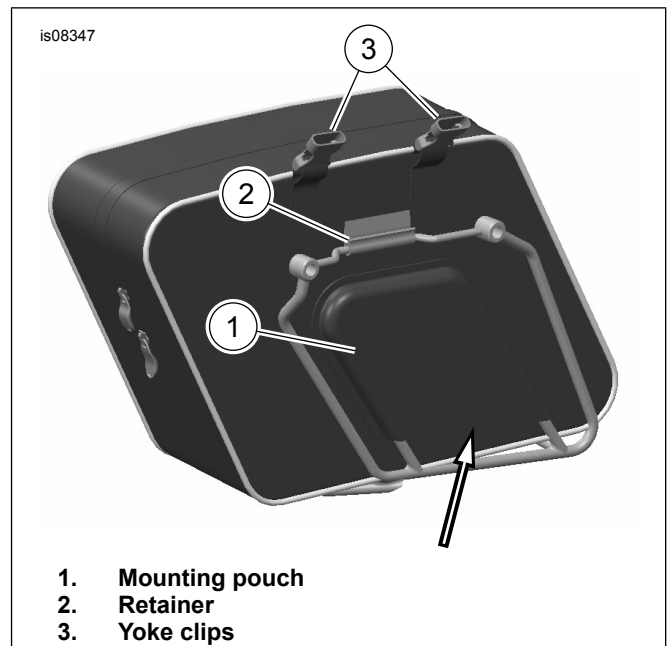


Figure 2. Saddlebag Installed

SERVICE PARTS

is07982c

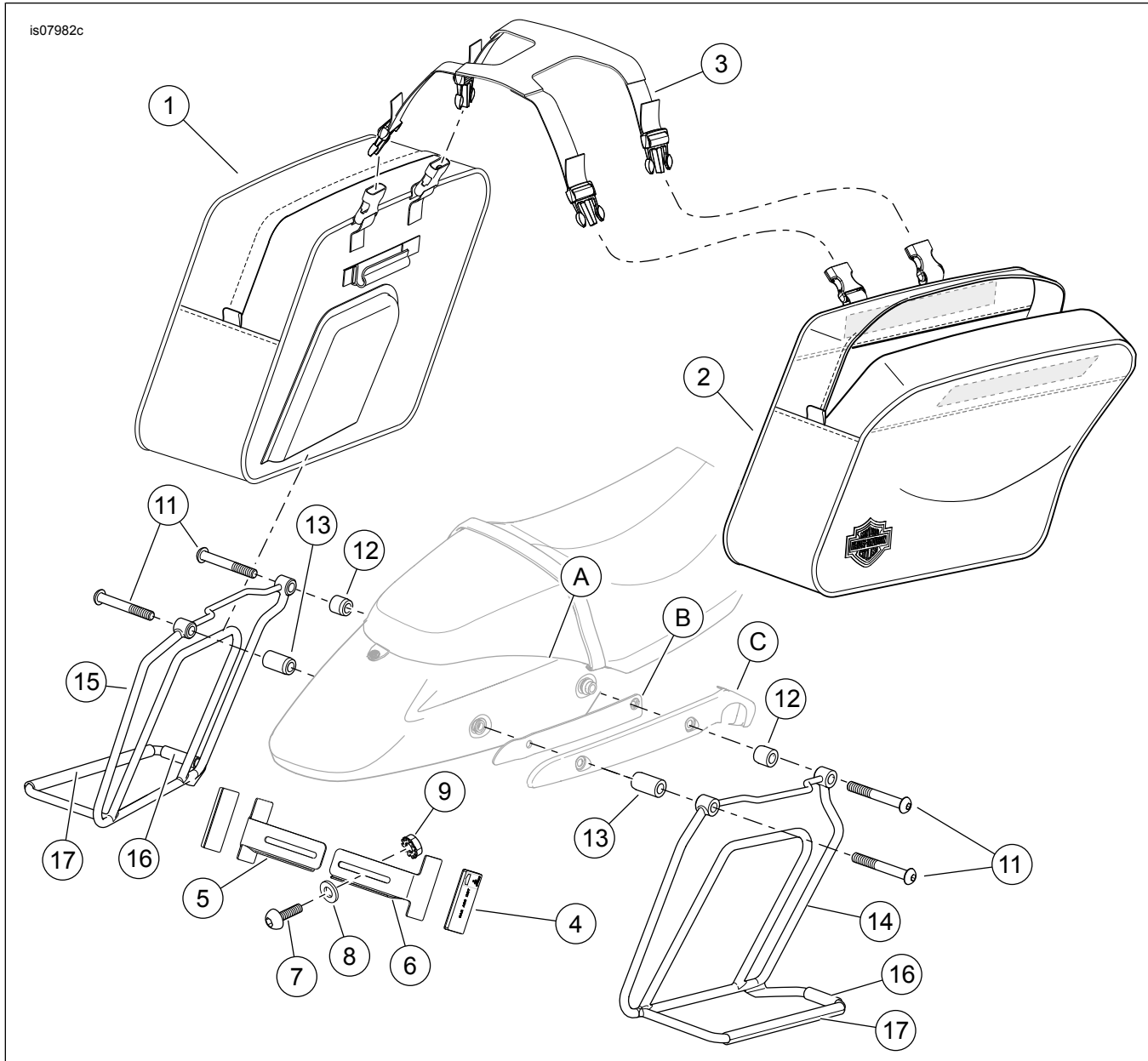


Figure 3. Kit Contents: Throw-Over Saddlebag Kit

SERVICE PARTS

Table 1. Kit Contents

Item	Description (Quantity)	Part Number
1	Left saddlebag	Not sold separately
2	Right saddlebag	Not sold separately
3	Yoke	Not sold separately
4	Reflector (amber) (2) Reflector (red) (2)	59256-84A 59259-90
5	Left bracket	68966-08
6	Right bracket	68992-08
7	Screw, 1/4-20 x 16 mm (5/8 in) long (2)	940
8	Washer (2)	6703
9	Nut, with lockwasher, 1/4-20 (2)	7792
10	Hardware Kit (includes items 11-13)	91800053
11	• Screw, M10-1.5 x 75 mm long (4)	10200249
12	• Spacer, front (2)	Not sold separately

Table 1. Kit Contents

Item	Description (Quantity)	Part Number
13	• Spacer, rear (2)	Not sold separately
14	Right saddlebag support	90201026
15	Left saddlebag support	90201025
16	Protector, short (2)	11100143
17	Protector, long (2)	11100142
Items mentioned in text but not included in kit		
A	Rear fender	
B	Support cover spacer	
C	Fender support cover	