



INSTRUCTIONS

J05933

2024-02-13



LED BULLET FOG LAMP KITS

GENERAL INFORMATION

Table 1. General Information

Kits	Suggested Tools	Skill Level ⁽¹⁾
68000090, 68000386 (Chrome), 68000092, 68000387 (Black)	Safety Glasses, Torque Wrench	
<i>(1) Tightening to torque value or other moderate tools and techniques required</i>		

KIT CONTENTS

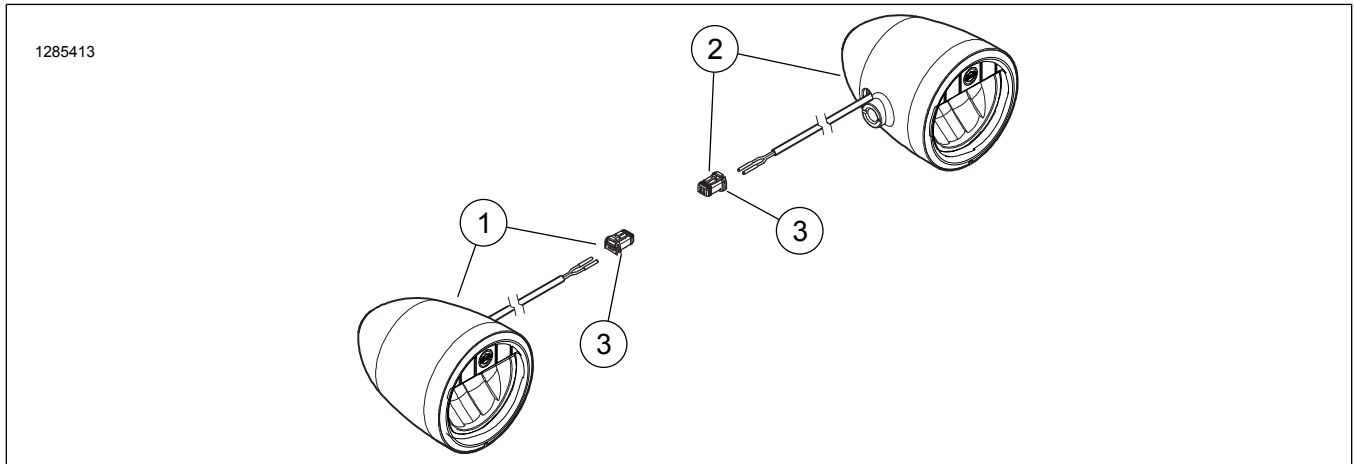


Figure 1. Kit Contents: LED Bullet Fog Lamp Kits

Table 2. Kit Contents: LED Bullet Fog Lamp Kits

<input checked="" type="checkbox"/>	Item	Qty	Description	Part No.	Notes
For Kits 68000386 (Chrome), 68000387 (Black):					
<input type="checkbox"/>	1	1	Fog lamp, right wire exit, chrome	68000398	
<input type="checkbox"/>		1	Fog lamp, right wire exit, black	68000400	
<input type="checkbox"/>	2	1	Fog lamp, left wire exit, chrome	68000399	
<input type="checkbox"/>		1	Fog lamp, left wire exit, black	68000401	
<input type="checkbox"/>	3	2	Socket housing, two-way	72906-11	
For Kits 68000090 (Chrome), 68000092 (Black):					
<input type="checkbox"/>	1	1	Fog lamp, right wire exit, chrome	68000089	
<input type="checkbox"/>		1	Fog lamp, right wire exit, black	68000091	
<input type="checkbox"/>	2	1	Fog lamp, left wire exit, chrome	68000156	
<input type="checkbox"/>		1	Fog lamp, left wire exit, black	68000157	
<input type="checkbox"/>	3	2	Socket housing, two-way	72906-11	

NOTE

Verify all contents are present in the kit before installing or removing items from vehicle.

GENERAL

Models

For model fitment information, see the Parts and Accessories (P&A) Retail Catalog or the Parts and Accessories section of www.harley-davidson.com.



Verify that the most current version of the instruction sheet is used. It is available at: h-d.com/isheets

Contact Harley-Davidson Customer Support Center at 1-800-258-2464 (U.S. only) or 1-414-343-4056.

NOTE: Facing the fog lamp lens, with the Bar & Shield logo at the top, lamps are identified as "left" or "right" based on direction of wire lead exit from the lamp housing, as if the lamps were mounted **outboard** of the mounting bracket or engine guard. Harley-Davidson recommends **inboard** mounting of engine guard fog lamps. However mounted, the Bar & Shield logo **must** appear at the top of the lens. See Figure 1.

This kit is not compatible with soft fairing lowers.

NOTE

This kit may not conform to local lighting regulations. Check local laws.

Installation Requirements

⚠ WARNING

Rider and passenger safety depend upon the correct installation of this kit. If the procedure is not within your capabilities or you do not have the correct tools, have a Harley-Davidson dealer perform the installation. Improper installation of this kit could result in death or serious injury. (00308b)

⚠ WARNING

Rider and passenger safety depend upon the correct installation of this kit. Use the appropriate service manual procedures. If the procedure is not within your capabilities or you do not have the correct tools, have a Harley-Davidson dealer perform the installation. Improper installation of this kit could result in death or serious injury. (00333b)

NOTE

This instruction sheet references service manual information. A service manual for the year and model motorcycle is required for this installation and is available from:

- A Harley-Davidson dealer.
- H-D Service Information Portal, a subscription-based access available for most 2001 and newer models. For more information see *Frequently ask questions about subscriptions*.

Separate purchase of an LED Bullet Fog Lamp Mounting Bracket Kit and a Fog Lamp Wire Harness Kit are required for proper installation of this kit.

Electrical Contact Lube (H-D Part No. 99861-02) or equivalent is required after battery cable disconnection.

These items are available from a Harley-Davidson dealer.

ELECTRICAL OVERLOAD

NOTICE

It is possible to overload the vehicle's charging system by adding too many electrical accessories. If the combined electrical accessories operating at any one time consume more electrical current than the vehicle's charging system can produce, the electrical consumption can discharge the battery and cause damage to the vehicle's electrical system. (00211d)

⚠ WARNING

When installing any electrical accessory, be certain not to exceed the maximum amperage rating of the fuse or circuit breaker protecting the affected circuit being modified. Exceeding the maximum amperage can lead to electrical failures, which could result in death or serious injury. (00310a)

This kit requires up to **1.4A** more current from the electrical system.

PREPARE

⚠ WARNING

To prevent accidental vehicle start-up, which could cause death or serious injury, remove main fuse before proceeding. (00251b)

NOTE

- **For 2007- later vehicles WITH security siren:** With security fob present, turn ignition switch ON. See service manual. After system is disarmed, turn ignition switch OFF. **IMMEDIATELY** remove the main fuse.
- **For 2006- earlier vehicles WITH security siren:** Disarm siren with key fob or security code. See service manual to remove main fuse.
- **For vehicles WITHOUT security siren:** Remove the main fuse. See service manual.
- **For vehicles WITH a main circuit breaker:** Disconnect battery. See service manual.

INSTALL

NOTE

These fog lamps can be mounted inboard or outboard of the engine guard. Harley-Davidson recommends **inboard** mounting of engine guard fog lamps. Fog lamps are side-specific. Lamps **must** be installed with the Bar & Shield logo at the top.

1. Install fog lamps to vehicle per the instructions in specific LED Fog Lamp Mounting Kit.
2. Complete fog lamp installation per the instructions in LED Fog Lamp Wire Harness Kit.

COMPLETE

NOTE

*To prevent possible damage to the sound system, verify that the ignition is OFF **before** installing the main fuse or attaching the negative battery cable.*

1. **Models with main fuse:** Install the main fuse. See Service Manual.
 2. **Models with main circuit breaker:** Connect battery. See service manual.
 3. **ALL models:** Install seat. After installing seat, pull up on the seat to verify that it is secure. See Service Manual.
- b. Navigate to Systems Settings > vehicle Function Setup.
 - c. Enable front fog lamps.
 - d. Turn vehicle off and wait one minute.
 - e. Turn vehicle to ign or accessory mode.

CONFIGURE

1. Figure 2 Models with an Infotainment Control Unit (IFCU):
 - a. Place vehicle in accessory mode.
- f. Open vehicle functions (14) from Left Hand Control Module (LHCM).
 - g. Turn fog lamps on/off, lamps should correspond to vehicle function indication.

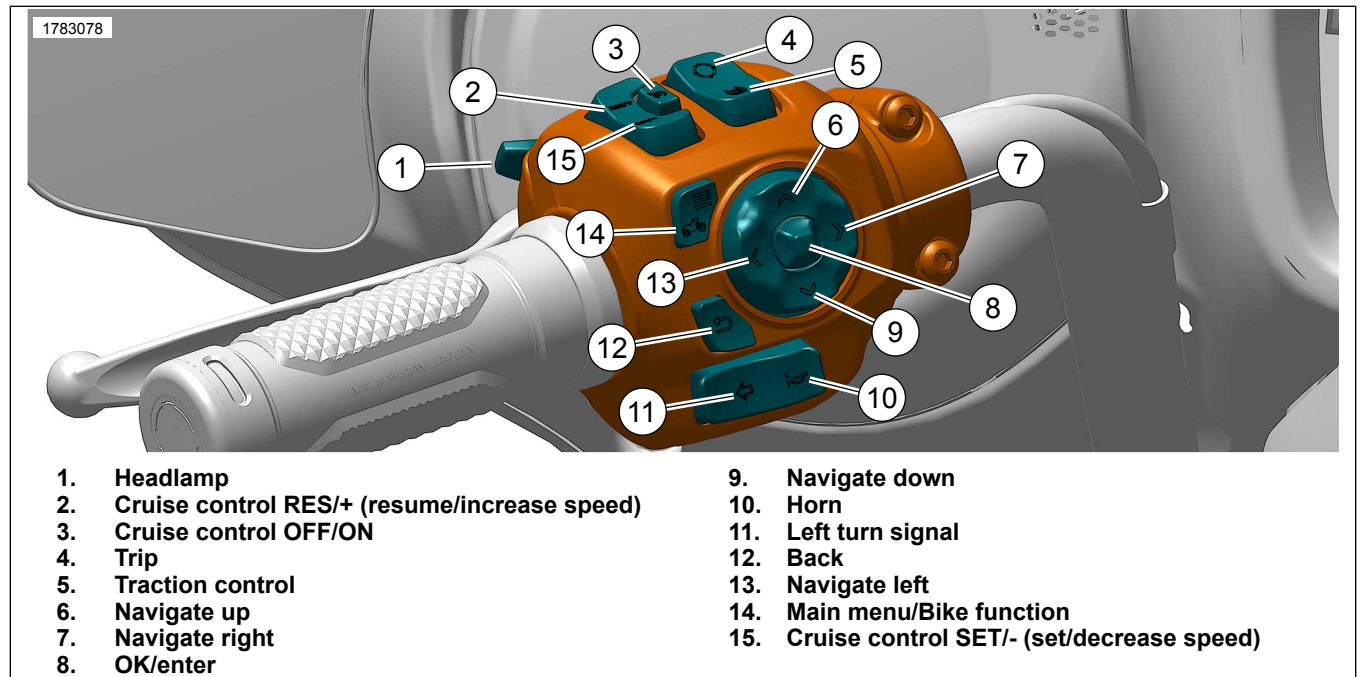


Figure 2. Left Hand Control Module (LHCM)