



INSTRUCTIONS

J04785

2016-11-09



DETACHABLE SOLO LUGGAGE RACK

GENERAL

Kit Number

54213-09A

Models

For model fitment information, see the P&A retail catalog or the Parts and Accessories section of www.harley-davidson.com (English only).

Installation Requirements

Separate purchase and installation of additional parts or accessories may be required for proper installation of this kit on your model motorcycle. See the P&A retail catalog or the Parts and Accessories section of www.harley-davidson.com (English only) for a list of required parts or accessories for your model.

⚠ WARNING

Rider and passenger safety depend upon the correct installation of this kit. If the procedure is not within your capabilities or you do not have the correct tools, have a Harley-Davidson dealer perform the installation. Improper installation of this kit could result in death or serious injury. (00308b)

Kit Contents

See Figure 4 and Table 1.

INSTALLATION

1. Install a docking point kit per the directions in **that** kit.
2. See Figure 1. Stand behind the motorcycle. Place the rack side plate notches (4) into the upper shock absorber mounts (3). Make sure the notches seat fully into the mounts.
3. See Figure 2. Position the rotary latches (1) over the rear docking points (2). Verify the rotary latches fit into the neck of the rear docking points as shown. This may require some gentle squeezing or spreading of the side plates.

NOTE

*** If interference is encountered at the shock absorber mounts:** Remove the right side shock absorber. See the service manual. Reinstall the shock absorber in the rod down position. See Figure 3. This will allow the necessary clearance for luggage rack installation. If fitment issues continue, contact a Harley-Davidson dealer for assistance.

*** You must hear a *CLICK*** to verify that the rotary latch is completely engaged.

*** The docking points must be fully engaged. See Figure 1 and Figure 2 for correct engagement. If docking points are not fully engaged they could shift position or come loose during operation.**

4. Push the rear of the side plates downward. Close the rotary latches by pressing the latch lever as far forward as it will go. You hear a "CLICK" when the latch is in place. If the latch does not easily close, do not force. Check the rack alignment again, as described in steps 2 and 3.

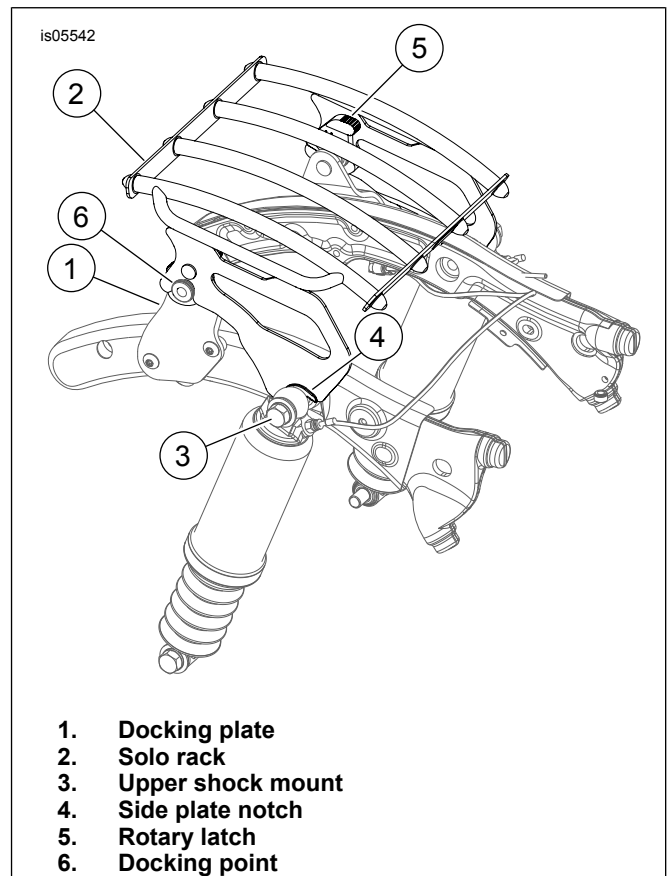


Figure 1. Detachable Solo Rack



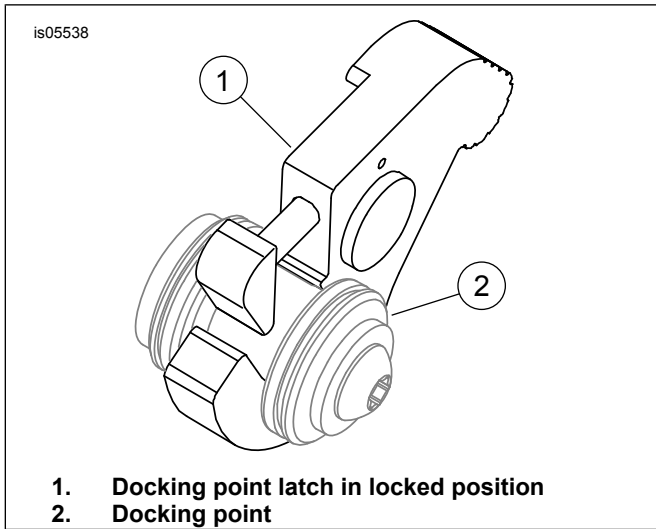


Figure 2. Latch and Docking Point

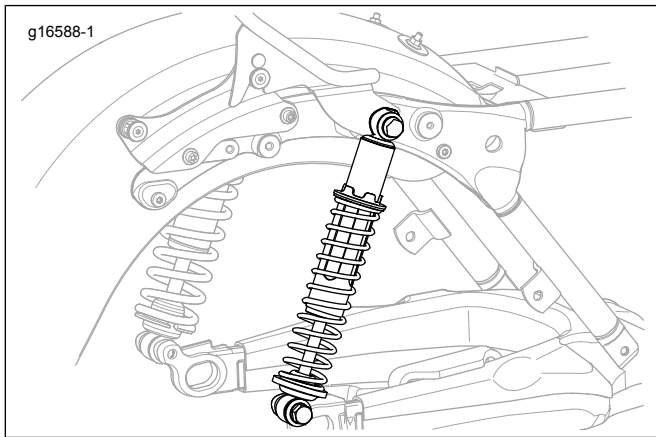


Figure 3. Shock Absorber Orientation with P&A Detachables

▲ WARNING

Do not exceed luggage rack weight capacity. Too much weight can cause loss of control, which could result in death or serious injury. (00373a)

5. *NOTE*

Luggage Rack capacity: 10 lbs (4.5 kg).

To remove the solo rack, press the release button on each side. Push the rotary latch levers back. Carefully lift the rear of the side plates up. Pull the side plate notches out of the upper shock mounts.

6. Be careful when removing rack. If lifted too far upwards, you could make contact with original equipment (OE) strut cover.

SERVICE PARTS

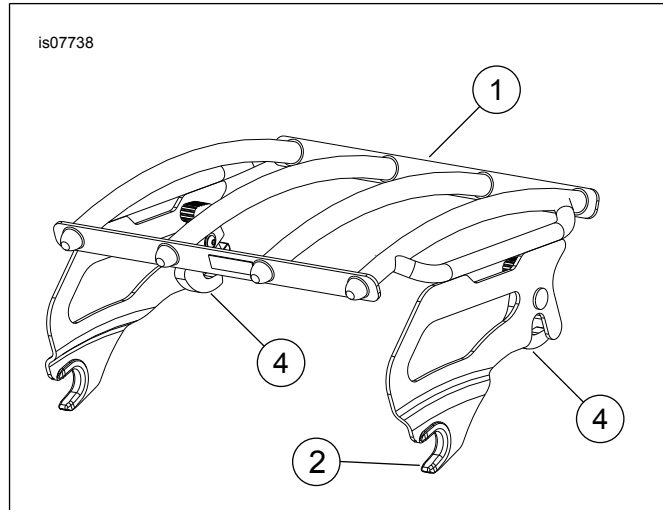


Figure 4. Service Parts: Detachable Solo Luggage Rack

Table 1. Service Parts

Item	Description (Quantity)	Part Number
1	Detachable solo rack, chrome	Not sold separately
2	Docking point bushing (2)	52682-09
3	Label, (not shown)	Not sold separately
4	Rotary latch assembly (Includes items 5-7)	50300087
5	___ Wave washer (not shown)	6828
6	___ Flat washer, stainless steel (not shown)	6827
7	___ Button head screw (not shown)	2957