



# INSTRUCTIONS

J04548

2017-08-28



## H-D DETACHABLES TOURING SISSY BAR UPRIGHTS

### GENERAL

#### Kit Numbers

52610-09A, 52627-09A, 54248-09A, 54247-09A

#### Models

For model fitment information, see the P&A retail catalog or the Parts and Accessories section of [www.harley-davidson.com](http://www.harley-davidson.com) (English only).

#### Installation Requirements

Separate purchase of extra parts or accessories may be required for proper installation of this H-D® Detachables™ Kit. See the P&A retail catalog or the Parts and Accessories section of [www.harley-davidson.com](http://www.harley-davidson.com) (English only) for a list of required parts or accessories.

For fitment issues, adjust your docking hardware according to the I-sheet included in the docking hardware kit.

#### ⚠ WARNING

**Rider and passenger safety depend upon the correct installation of this kit. If the procedure is not within your capabilities or you do not have the correct tools, have a Harley-Davidson dealer perform the installation. Improper installation of this kit could result in death or serious injury. (00308b)**

#### ⚠ WARNING

**After installing sissy bar/sideplate assembly, pull upward to be sure it is locked in position. While riding, a loose sissy bar/sideplate assembly can shift causing loss of control, which could result in death or serious injury. (00388a)**

#### Kit Contents

See Figure 3 and Table 1.

### INSTALLATION

#### NOTE

The sissy bar upright can be installed on either a two-point or four-point docking kit.

1. Unless already in place, install the docking hardware kit (either two-point or four-point) to the vehicle per the instructions in that kit.
2. See Figure 3. Stand behind the motorcycle. Place the left side and right side front upright notches (with bushings in place) onto the docking points (A) inboard of the upper shock absorber mounts. Make sure the notch bushings (9) seat fully into the shock absorber docking points.

3. See Figure 3, arrows (D) and (E), and Figure 1. Position the rotary latches (4) over the rear docking points (3). Verify the upright sides (1) and latches fit into the neck of the rear docking points as shown. This may require some gentle squeezing or spreading of the sissy bar upright sides.
4. Push the rear of the sissy bar downward and close the latches by pressing the latch lever as far forward as it goes. You hear a click when the latch is in place. If the latch does not easily close, do not force. Check the sissy bar alignment again, as described in steps 2 and 3.

#### NOTE

**\* If interference is encountered at the shock absorber mounts: Remove the right side shock absorber. See the service manual. Reinstall the shock absorber in the rod down position. See Figure 2. This will allow the necessary clearance for sissy bar installation. If fitment issues continue, contact a Harley-Davidson dealer for assistance.**

**\* After installing the sissy bar upright, verify the sissy bar is secure. The front and rear docking points must be fully engaged. See Figure 1 for correct engagement.**

5. To remove the sissy bar upright, press the release button (G) on each side. Pull the latch levers back. Carefully lift the rear of the sissy bar up. Pull the upright out of the front docking points.

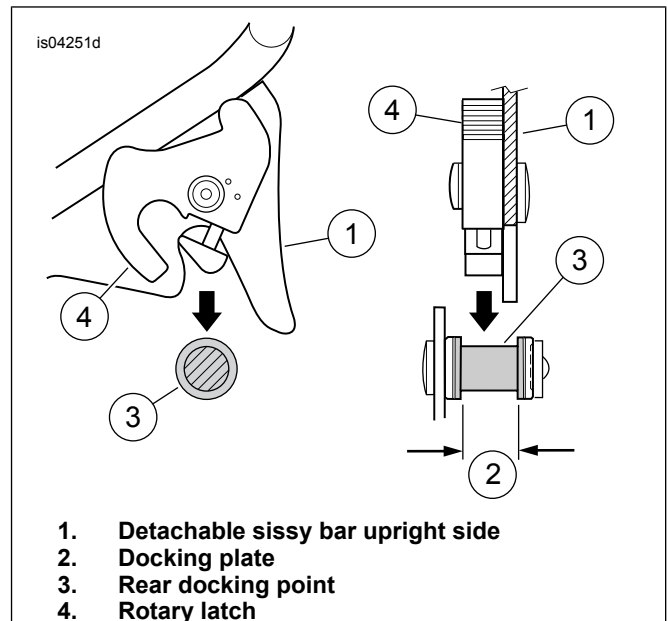


Figure 1. Proper Alignment of Latch in Rear Docking Point, Views in Direction of Arrows (D) and (E)

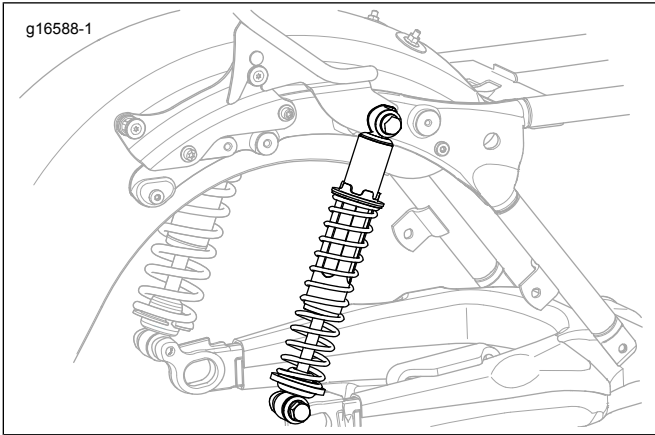


Figure 2. Shock Absorber Orientation with P&A Detachables

## SERVICE PARTS

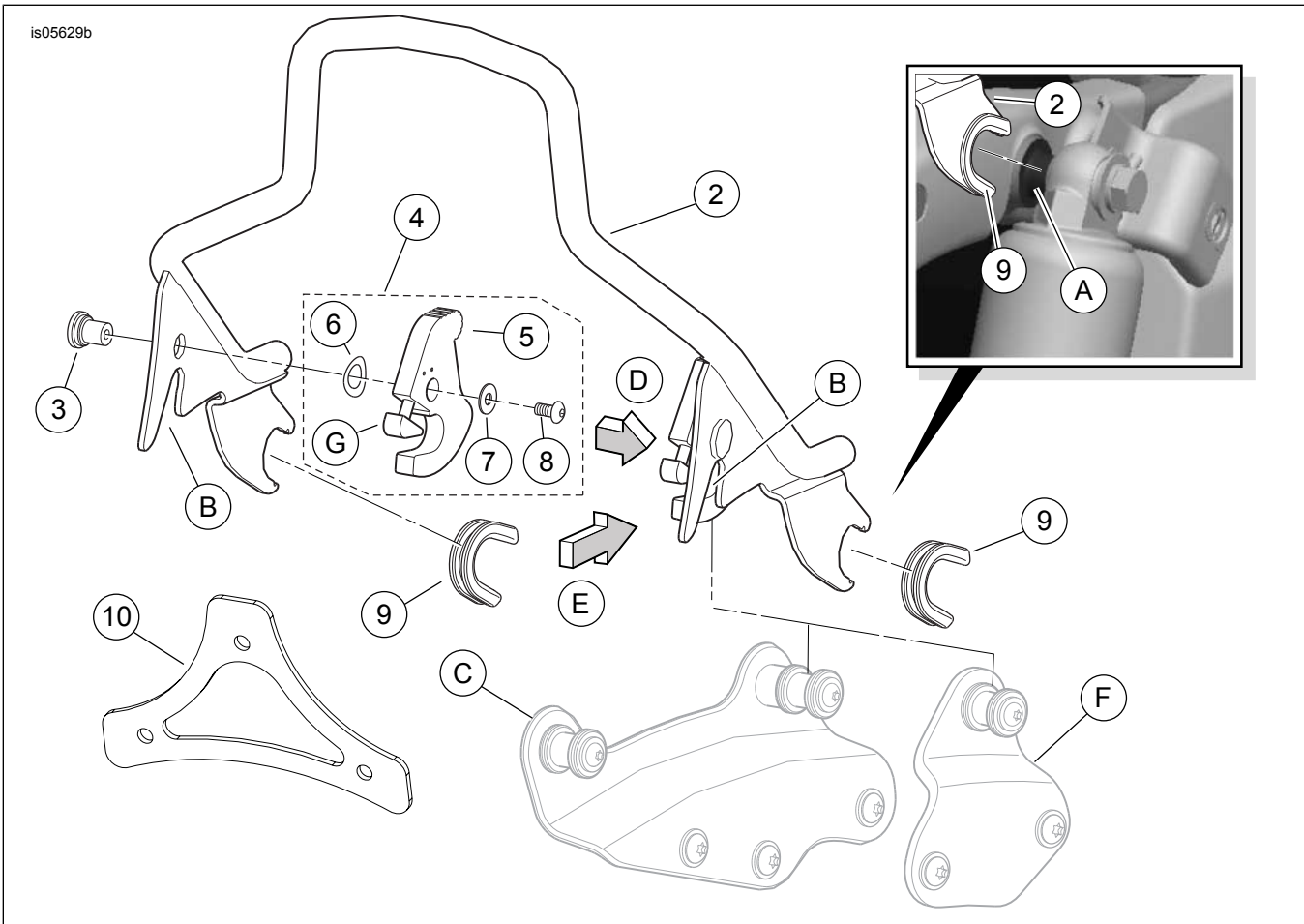


Figure 3. Service Parts: H-D Detachables Touring Sissy Bar Uprights

Table 1. Service Parts

Item	Description (Quantity)	Part Number
1	Detachable sissy bar upright assembly (includes items 2, 3, 4)	Not sold separately
2	• Sissy bar upright weldment	Not sold separately
3	• Pivot stud (2)	Not sold separately
4	• Rotary latch kit (2) (includes items 5-8)	50300108
5	• Rotary latch assembly	Not sold separately

**Table 1. Service Parts**

<b>Item</b>	<b>Description (Quantity)</b>	<b>Part Number</b>
6	• Wave washer	6828
7	• Flat washer, stainless steel	6827
8	• Screw, button head	2957
9	Bushing (2)	52682-09
10	Backrest bracket, gloss black (included with black uprights only)	54083-09
<b>Items mentioned in text, but not included in kit:</b>		
A	Front docking point (2)	
B	Rear sissy bar upright notch (2)	
C	Four-point docking plate assembly (2)	
D	To right side of vehicle (view direction for Figure 1)	
E	To front of vehicle (view direction for Figure 1)	
F	Two-point docking plate assembly (2)	
G	Rotary latch release button (2)	