



INSTRUCTIONS

94100116

2023-08-23



ADVENTURE DUFFEL BAG

GENERAL INFORMATION

Table 1. General Information

Kits	Suggested Tools	Skill Level ⁽¹⁾
93300142	Safety Glasses	

(1) Tightening to torque value or other moderate tools and techniques required

KIT CONTENTS

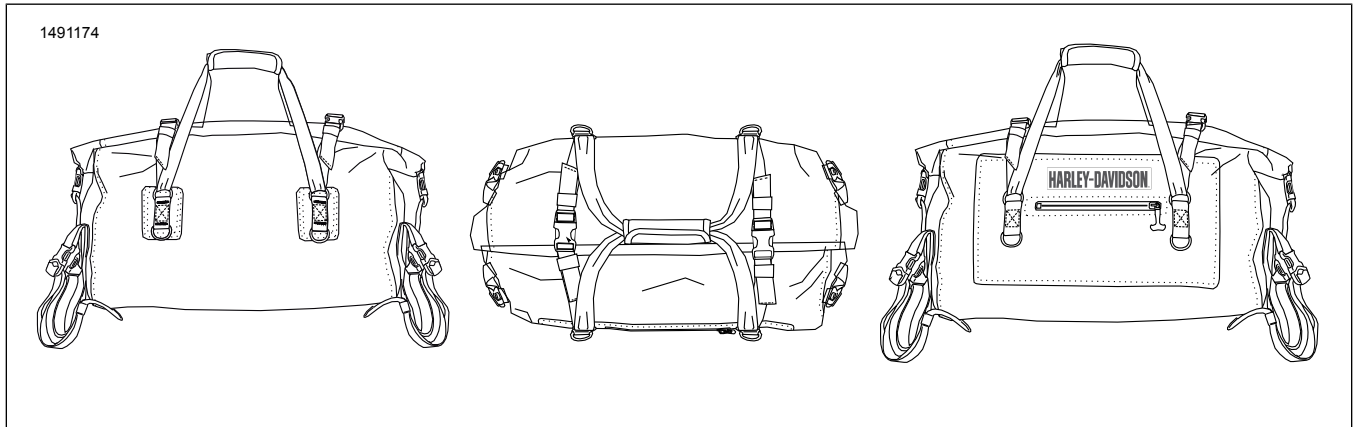


Figure 1. Kit Contents: Soft Duffel Tail Bag

Table 2. Kit Contents: Soft Duffel Tail Bag

Verify that all contents are present in the kit before installing or removing items from vehicle.					
<input checked="" type="checkbox"/>	Item	Qty	Description	Part No.	Notes
<input type="checkbox"/>	1		Soft duffel bag	Not sold separately	

GENERAL

Models

For model fitment information, see the Parts and Accessories (P&A) Retail Catalog or the Parts and Accessories section of www.harley-davidson.com.

Verify that the most current version of the instruction sheet is used. It is available at: h-d.com/isheets

Contact Harley-Davidson Customer Support Center at 1-800-258-2464 (U.S. only) or 1-414-343-4056.

Installation Requirements

⚠ WARNING

Rider and passenger safety depend upon the correct installation of this kit. If the procedure is not within your capabilities or you do not have the correct tools, have a Harley-Davidson dealer perform the installation. Improper installation of this kit could result in death or serious injury. (00308b)

INSTALL (Duffel Only)

1. Install duffel on passenger pillion.
 - a. Logo and reflector strip face rearward.
2. See Figure 4 and Figure 5. Loop mounting straps (2, 3) through the pockets on the hand hold base (4).
3. Adjust tension and lock down cam buckles.

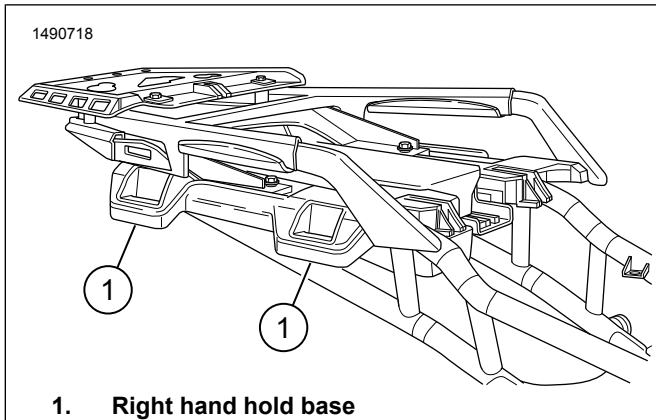


Figure 2. Right Hand Hold Base

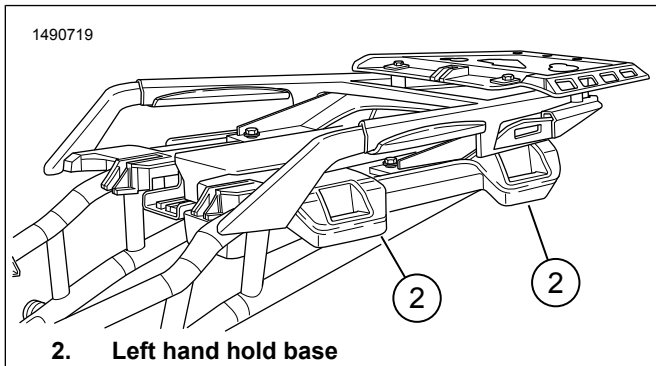


Figure 3. Left Hand Hold Base

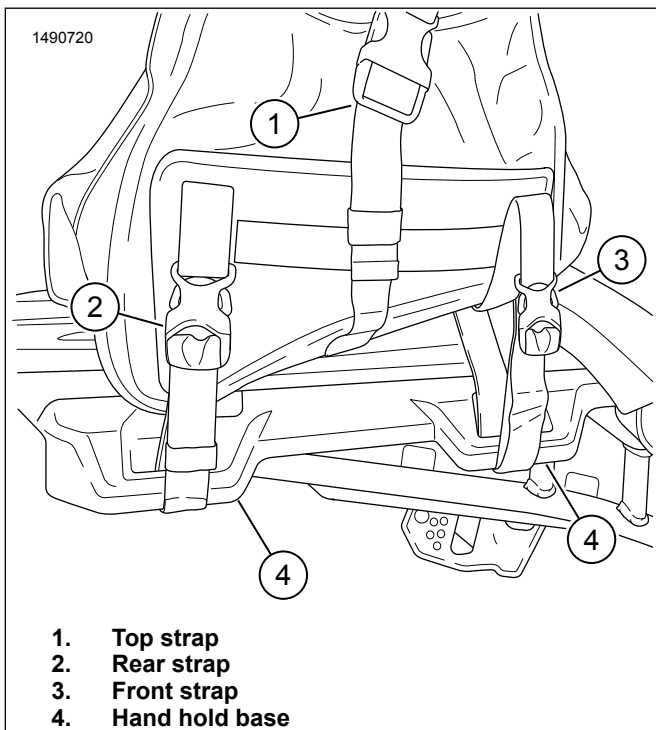


Figure 4. Right Side of Duffel

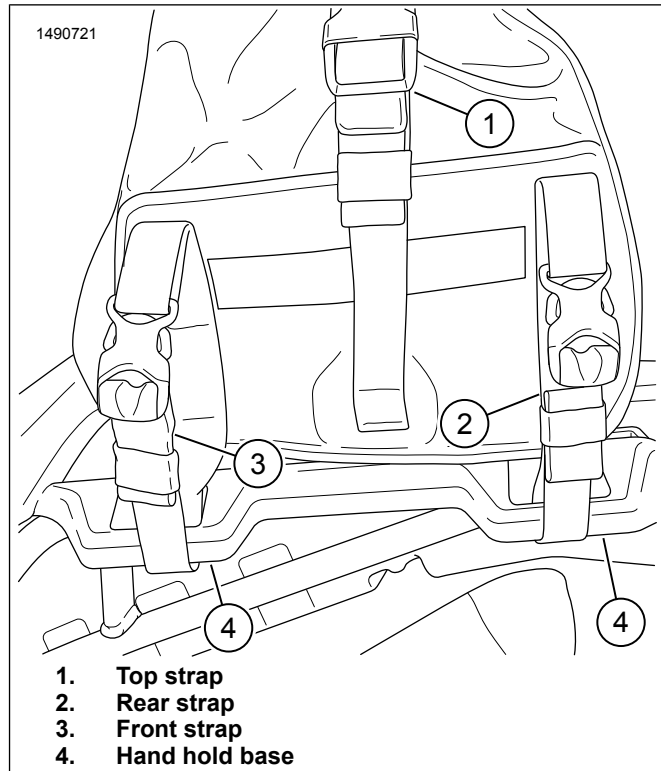


Figure 5. Left Side of Duffel

INSTALL

Duffel with Soft Saddlebags

1. Install duffel on passenger pillion.
 - a. Logo and reflector strip face rearward.
2. See Figure 6 and Figure 7. Loop two rear mounting straps (2) around saddlebag support frame assembly (3).
3. Figure 8 Loop two front mounting straps (2) around saddlebag support frame assembly (3) in front of saddlebag pillion strap.
4. Adjust tension and lock down cam buckles.
 - a. Use elastic loops to secure any excess strap.

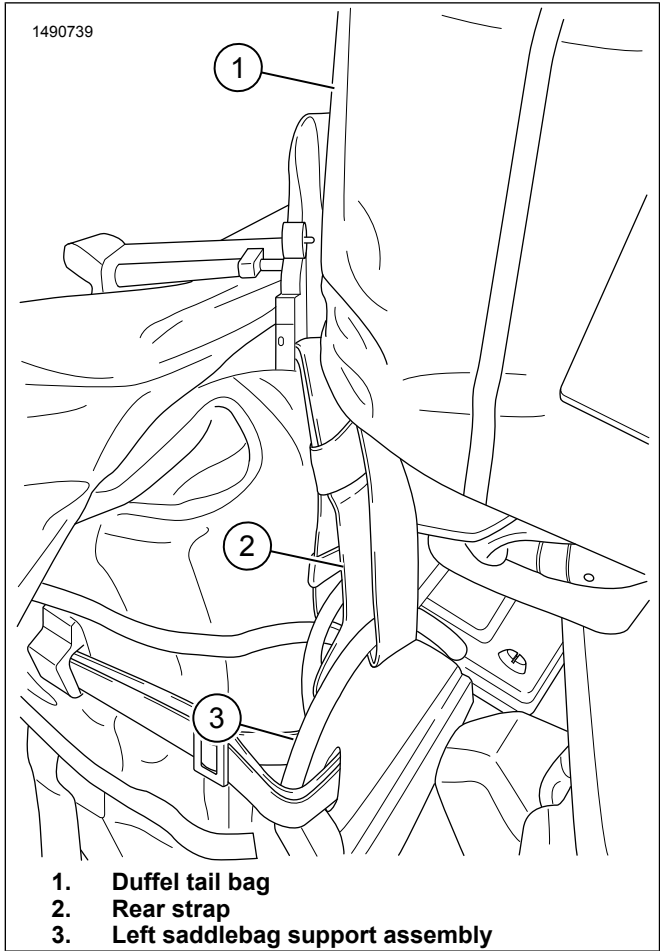


Figure 6. Left Soft Saddlebag

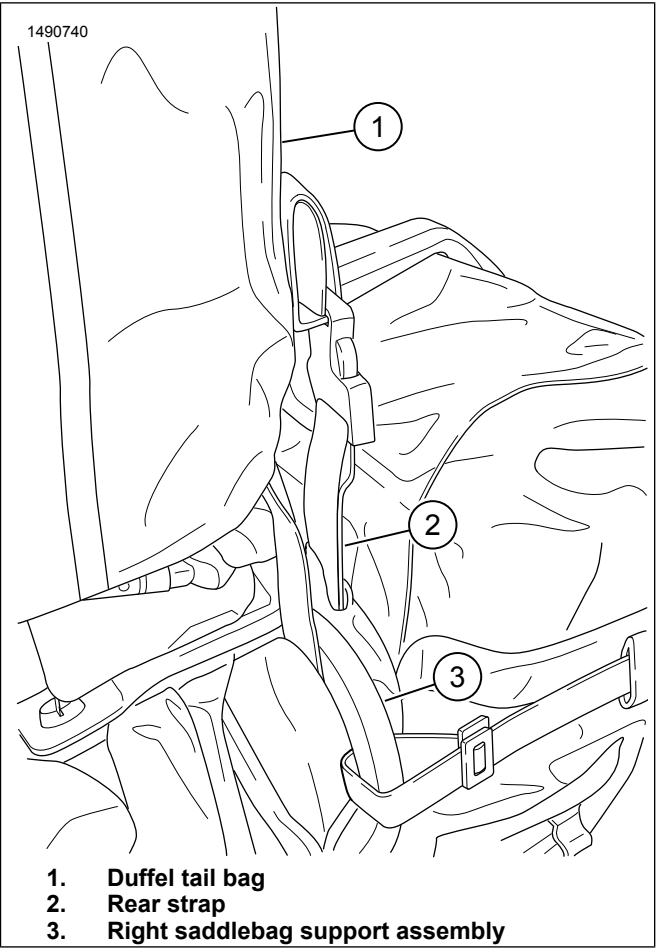


Figure 7. Right Soft Saddlebag

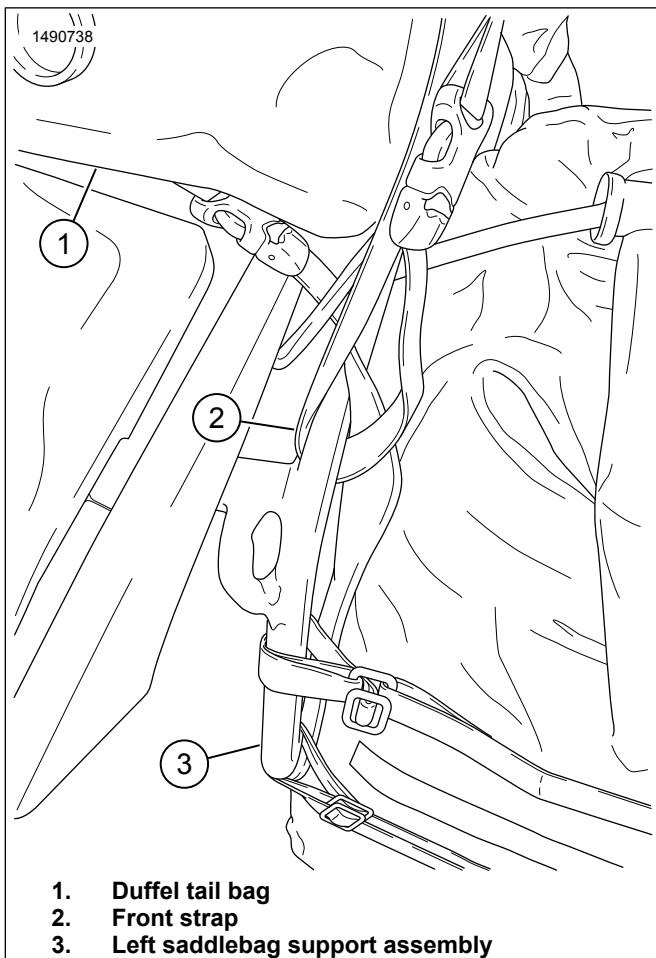


Figure 8. Left Front View of Duffel

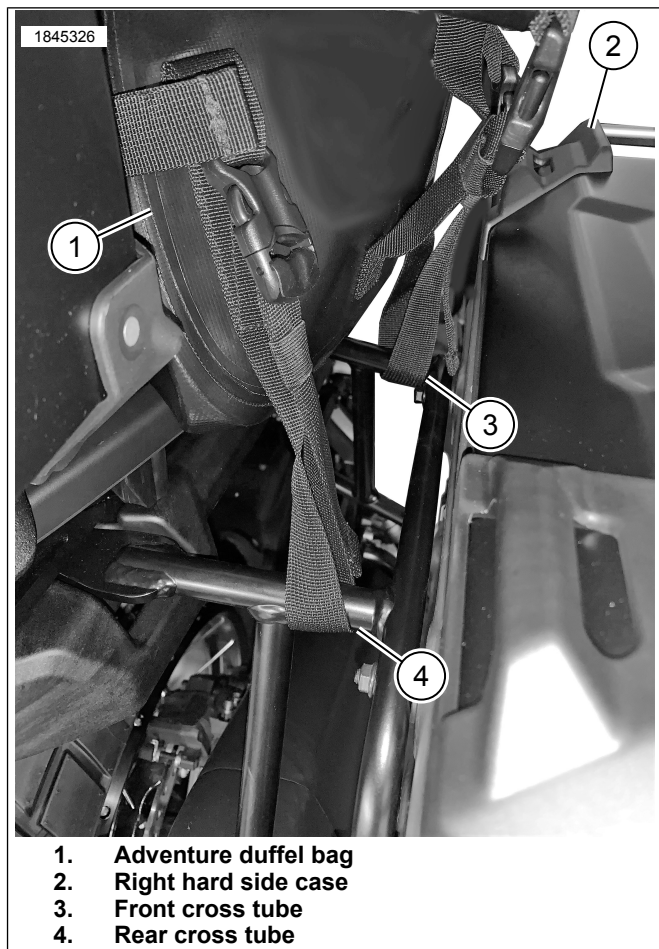


Figure 9. Strap Locations

Duffel with Hard Side Cases

1. Figure 9 Install Adventure duffel bag (1) on passenger pillion.
2. Loop mounting straps around front and rear cross tubes (3, 4).
3. Adjust tension and lock down cam buckles.
 - a. Use elastic loops to secure any excess strap.