



INSTRUCTIONS

J06505

2020-08-24



RIDER AND PASSENGER FOOTPEG KIT

GENERAL

Kit Number

Harley-Davidson by Rizoma: 50502158, 50502159
Edge Cut: 50500851, 50500857, 50500967, 50501020
Willie G: 50500856, 50500858, 50501281, 50501282
Vultiac: 50501197, 50501510

Models

For model fitment information, see the P&A Retail Catalog or the Parts and Accessories section of www.harley-davidson.com (English only).

Installation Requirements

⚠ WARNING

Rider and passenger safety depend upon the correct installation of this kit. If the procedure is not within your capabilities or you do not have the correct tools, have a Harley-Davidson dealer perform the installation. Improper installation of this kit could result in death or serious injury. (00308b)

Kit Contents

See Figure 4 and Table 1.

RIDER

REMOVE

- NOTE*
Save all hardware, including torsion spring (1), for installation of the new footpegs (3).

See Figure 2. Remove and save the retaining clip (2) and pin (4) for future use.

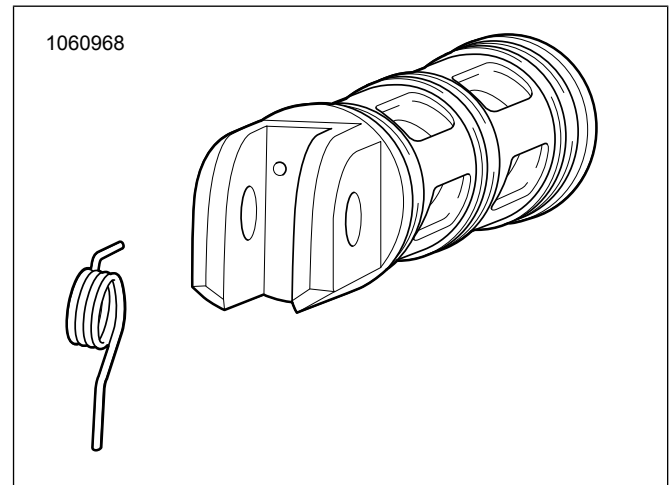


Figure 1. Torsion Spring

INSTALL

- NOTE*
See Figure 1. When performing the next step, verify that the spring is positioned inside of the footpeg.

See Figure 2. Install pegs.

- Insert short leg of torsion spring (1) into hole in new footpeg (3).
 - Align long leg of torsion spring (1) to hole in footpeg mount and insert.
 - Rotate footpeg (3) into position in clevis and insert pin (4) through clevis, footpeg (3) and spring (1).
 - Install retaining clip (2).
 - Repeat on other side.
- Willie G Rider Pegs (Only)- adjust orientation as follows:
 - For forward controls, foot surface to be parallel to the mounting pin.
 - For mid controls, foot surface to be parallel to ground.
 - Tighten adjustment screw.
Torque: 28.5 N·m (21 ft-lbs)

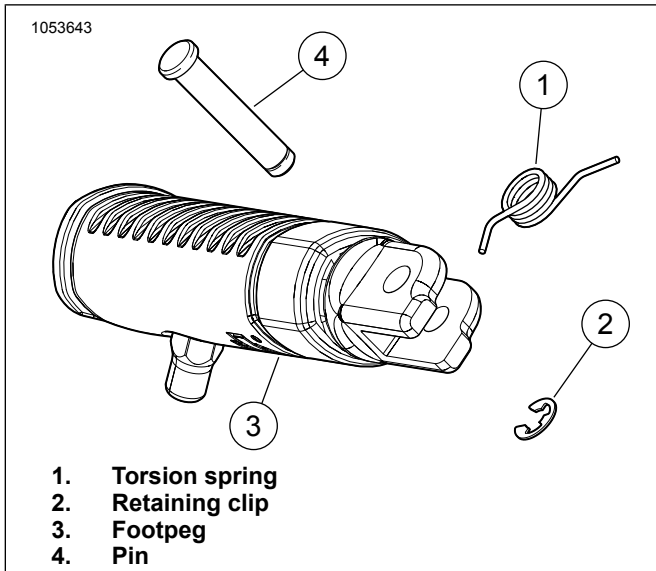


Figure 2. Rider Footpeg Torsion Spring Installation

PASSENGER

REMOVE

1. **NOTE**
Save all hardware, including detent spring (3), detent ball (4) and cage (6) for installation of the new footpegs (2).

See Figure 3. Remove and save the retaining clip (5) and pin (1) for future use.

INSTALL

1. **NOTE**
When performing the next step, verify that the spring (3) and ball (4) are positioned inside of the footpeg (2).

Install pegs.

- Insert detent spring (3) into new footpeg (2), followed by detent ball (4).
- Position cage (6) on footpeg clevis edge while capturing the detent ball (4) and detent spring (3) inside cage (6).
- Slide cage (6) onto footpeg clevis.

- Align cage (6) and footpeg (2) with footpeg mount on vehicle.
- Install pin (1).
- Install retaining clip (5).

⚠ WARNING

Footrests must fold up and toward rear of motorcycle if struck. Failure to set footrests to fold up and back could result in death or serious injury. (00366a)

- Willie G Passenger Pegs (only) - adjust orientation as follows:
 - See Figure 4. Loosen adjustment screw (5). Rotate to desired orientation.
 - Fold peg up to stowed position and confirm clearance to other components. Adjust as necessary.
 - Tighten adjustment screw.
Torque: 28.5 N·m (21 ft-lbs)

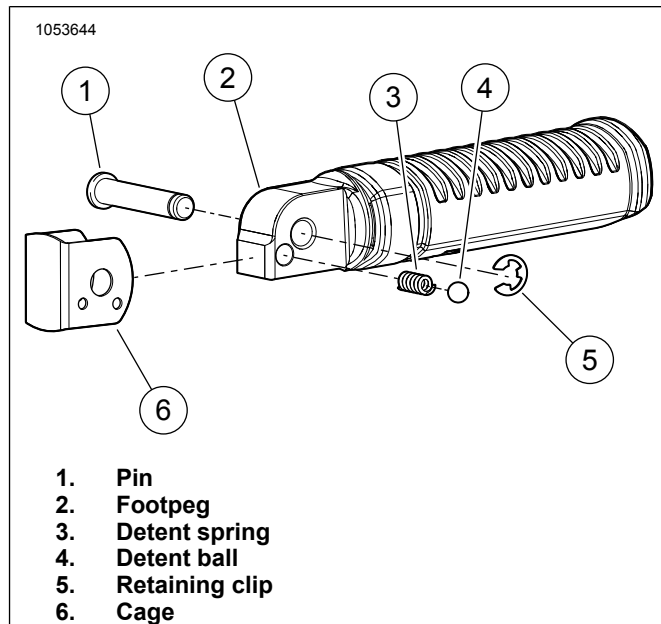


Figure 3. Passenger Footpeg Detent Ball Installation

SERVICE PARTS

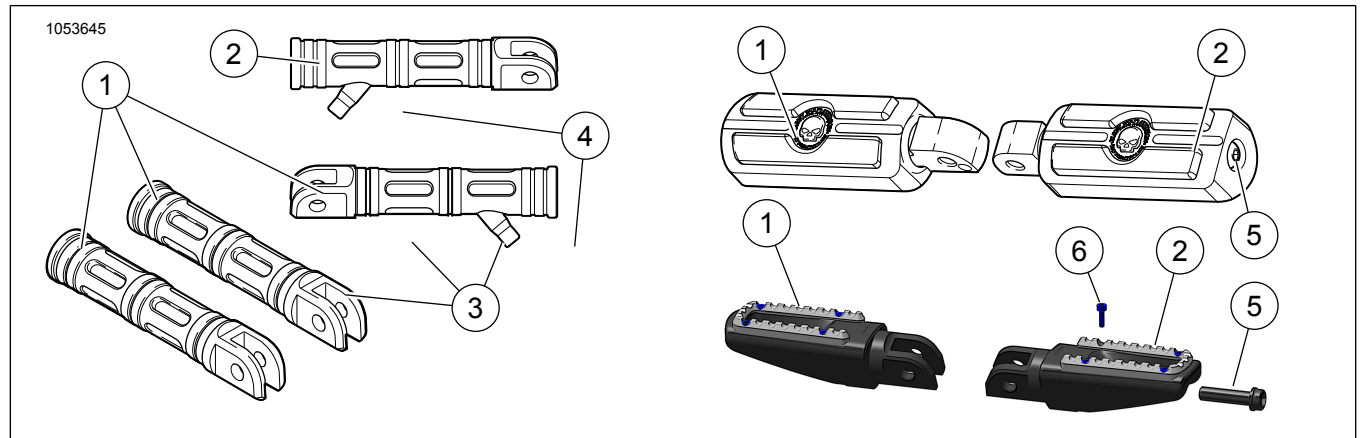


Figure 4. Service Parts: Footpeg Kit

Table 1. Service Parts Table

Kit	Item	Description (Quantity)	Part Number
50500967	1	Rider, Edge Cut, footpeg, right side	Not sold separately
	2	Rider, Edge Cut, footpeg, left side	Not sold separately
	3	Rings (6)	11306
	4	Wear Peg (2)	50500972
50500851, 50501020	1	Rider, Edge Cut, footpeg (2)	Not sold separately
	3	Rings (6)	11306
50500857	1	Passenger, Edge Cut, footpeg (2)	Not sold separately
	3	Rings (6)	11306
50500856, 50501281	1	Rider, Willie G skull, footpeg, left side	Not sold separately
	2	Rider, Willie G skull, footpeg, right side	Not sold separately
	5	Button socket screw (2)	50500856: 94409-03 50501281: 10200854
50500858, 50501282	1	Passenger, Willie G skull, footpeg, left side	Not sold separately
	2	Passenger, Willie G skull, footpeg, right side	Not sold separately
	5	Button socket screw (2)	50500858: 94409-03 50501282: 10200854
50501197	1	Rider, Voltiac, footpeg, right side	Not sold separately
	2	Rider, Voltiac, footpeg, left side	Not sold separately
	4	Wear Peg (2)	50500628
50501510	1	Passenger, Voltiac, footpeg, right side	Not sold separately
	2	Passenger, Voltiac, footpeg, left side	Not sold separately
50502158	1	Rider, Rizoma, footpeg, left side	50502167
	2	Rider, Rizoma, footpeg, right side	50502166
	5	Set screw	10201106
	6	Screw	10201107
50502159	1	Passenger, Harley-Davidson by Rizoma, footpeg, left side	50502170
	2	Passenger, Harley-Davidson by Rizoma, footpeg, right side	50502169
	5	Set screw	10201106
	6	Screw	10201107