



INSTRUCTIONS

J05381

2019-12-09



SPORTSTER SWINGARM BAG

GENERAL

Kit Numbers

90200572A, 90200573A, 90201326A, 90201327

Models

For model fitment information, see the P&A retail catalog or the Parts and Accessories section of www.harley-davidson.com (English only).

▲ WARNING

Rider and passenger safety depend upon the correct installation of this kit. If the procedure is not within your capabilities or you do not have the correct tools, have a Harley-Davidson dealer perform the installation. Improper installation of this kit could result in death or serious injury. (00308b)

Additional Parts Required

This kit is intended to be installed on solo rider motorcycles only. If the motorcycle is currently equipped to carry a passenger a solo seat must be installed.

Kit Contents

See Figure 3 and Table 1.

REMOVAL

Models with Passenger Footrests

1. Install a solo seat on the motorcycle according to the instructions included in that kit.
2. Remove left and right passenger footrest supports and passenger footpegs. Discard footrest hardware.

Models without Passenger Footrests

1. See Figure 1 or Figure 2. Remove plastic hole plug from frame at left side upper passenger footrest location (3)
2. Remove screw from left side lower passenger footrest location (4).

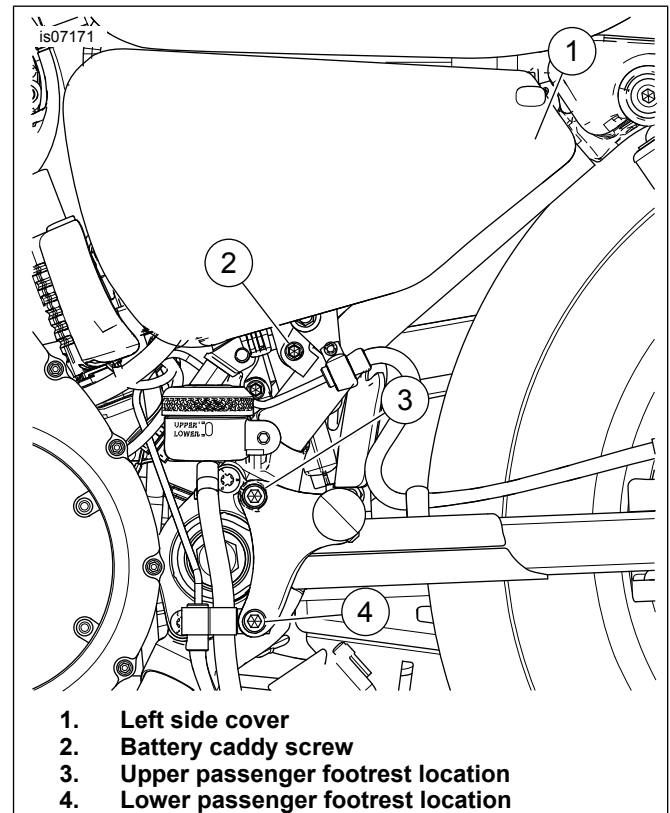


Figure 1. Swingarm Bag Installation (2013 and earlier shown)

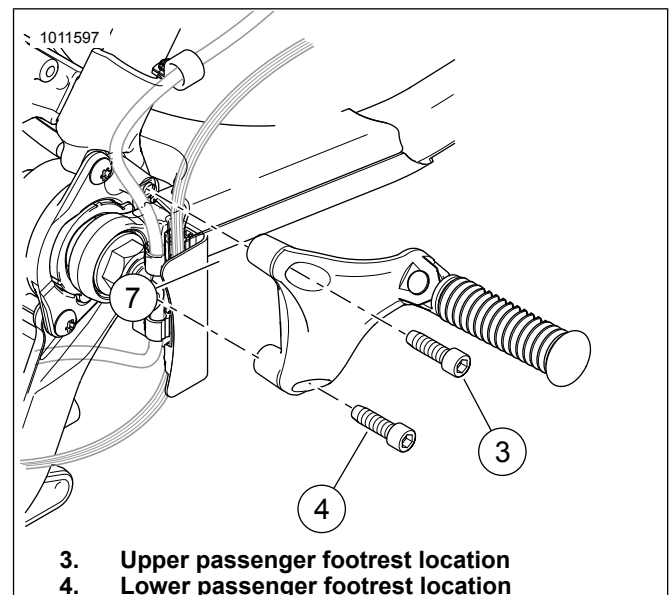


Figure 2. Swingarm Bag Installation (2014 and later shown)

All Models

1. Remove left side cover (1).
2. Remove battery caddy screw (2). Save screw for installation.

INSTALLATION

NOTE

In next step, mount lower swingarm mounting bracket over brake line clamp.

1. See Figure 3. Install lower mounting bracket (4) to frame at left side passenger footrest location.
2. **2013 and earlier models:** Attach bracket using short lower mounting screws (5) and washers (6). Tighten.
Torque: 61–68 N·m (45–50 ft-lbs) *Lower mounting screws*
3. **2014 and later models:** Attach bracket using spacers (14), long lower mounting screws (13) and washers (6). Tighten.
Torque: 61–68 N·m (45–50 ft-lbs) *Lower mounting bracket screws*
4. Install upper mounting bracket (8) to battery caddy location using previously removed screw. Tighten.
Torque: 10.9–17.6 N·m (96–156 **in-lbs**) *Upper mounting bracket screw*
5. Wrap P-clamp (10) around frame tube with flat side of clamp facing outward.
6. Attach swingarm bag (3) to threaded nuts on lower mounting bracket using swingarm bag screws (1) and washers (2). Tighten.
Torque: 6.8–9 N·m (60–80 **in-lbs**) *Swingarm bag screws*

7. Attach swingarm bag to upper mounting bracket using swingarm bag screw (1), washer (2) and upper mounting bracket nut (9). Tighten.
Torque: 6.8–9 N·m (60–80 **in-lbs**) *Swingarm bag screws*
8. **2013 and earlier models:** Attach swingarm bag to P-clamp using P-clamp screw (11) and upper P-clamp nut (7). Tighten.
Torque: 6.8–9 N·m (60–80 **in-lbs**) *P-clamp screw*
9. **2014 and later models:** Attach swingarm bag to P-clamp using spacer (14) between P-clamp and lower mounting bracket, P-clamp screw (11) and upper P-clamp nut (7). Tighten.
Torque: 6.8–9 N·m (60–80 **in-lbs**) *P-clamp screw*
10. See Figure 1. Replace side cover (1).

IN USE

▲ WARNING

Do not exceed swingarm bag weight capacity. Too much weight in swingarm bag can cause loss of control, which could result in death or serious injury. (00618c)

NOTE

Maximum swingarm bag weight capacity is 2.3 Kg (5 lbs).

Use the Leather Care from the kit regularly to preserve the appearance and extend the life of the swingarm bag. Additional leather care products are available from a Harley-Davidson dealer.

SERVICE PARTS

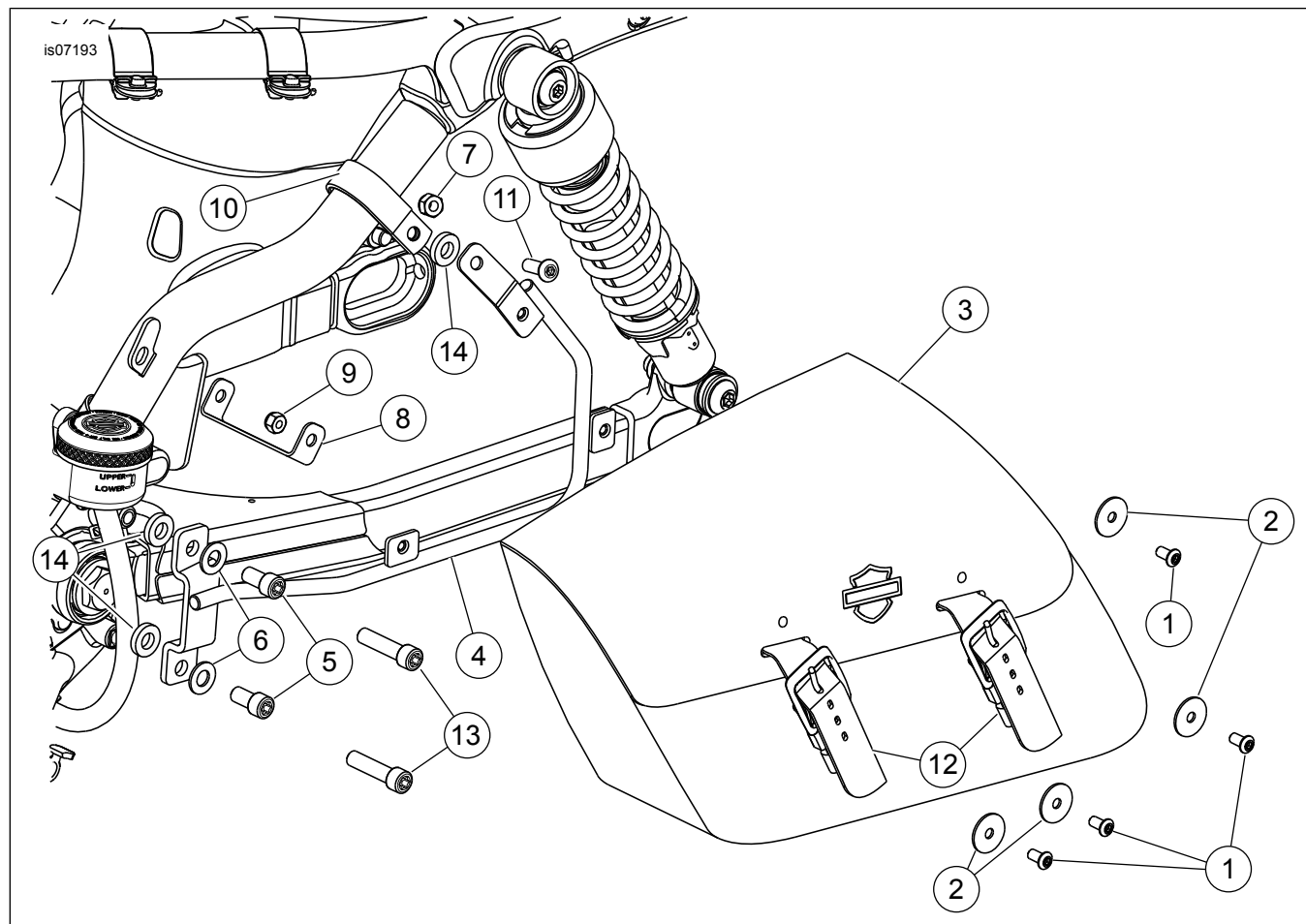


Figure 3. Service Parts: Sportster Swingarm Bag (2013 and earlier shown)

Table 1. Service Parts

Item	Description (Quantity)	Part Number
1	Swingarm bag screws (4)	926
2	Washer (4)	6036
3	Swingarm bag (1)	Not Sold Separately
4	Lower mounting bracket (1)	Not Sold Separately
5	Lower mounting screw, short, 3/8 x 3/4 in (2)	4190
6	Washer (2)	6701
7	P-clamp nut (1)	7739
8	Upper mounting bracket (1)	Not Sold Separately
9	Upper mounting bracket nut (1)	7686
10	P-clamp (1)	90200713
11	P-clamp screw (1)	4016
12	Male buckle with quick disconnect (2)	90200531
13	Lower mounting screw, long, 3/8 x 1 in (2)	3143
14	Spacer (3)	6019