



INSTRUCTIONS

J05610

2012-07-03



FLHR VENTED WINDSHIELD KIT

GENERAL

Kit Number

57400176

Models

For model fitment information, see the P&A Retail Catalog or the Parts and Accessories section of www.harley-davidson.com (English only).

Additional Parts Required

⚠ WARNING

Rider and passenger safety depend upon the correct installation of this kit. If the procedure is not within your capabilities or you do not have the correct tools, have a Harley-Davidson dealer perform the installation. Improper installation of this kit could result in death or serious injury. (00308b)

For proper installation on FLHRS models, separate purchase of Mounting Hardware Kit, Part Number 58221-04.

Kit Contents

See Figure 1 and Table 1.

INSTALLATION

1. **FLHRS Models:** Install hardware mounting kit.
2. Lower the windshield into position by carefully inserting the side brackets between the headlamp housing and the passing lamp supports until the bottom notches are seated on the lower grommets.

NOTE

Be sure that the notches on each bracket are firmly seated on a rubber grommet.

3. Standing at the front of the motorcycle, gently push the top of the windshield toward the rear until the upper notches fully engage the upper grommets.

CARE AND CLEANING

NOTE

Sunlight reflections off of the inside curvature of a windshield can, at certain times of the day, cause extreme heat build-up on motorcycle instruments. Exercise care in parking. Park facing the sun, place an opaque object over the instruments, or adjust the windshield to avoid reflections.

NOTICE

Use only Harley-Davidson recommended products on Harley-Davidson windshields. Do not use harsh chemicals or rain sheeting products, which can cause windshield surface damage, such as dulling or hazing. (00231c)

Do not clean polycarbonate windshield in hot sun or high temperature. Powdered, abrasive or alkaline cleanser will damage the windshield. Never scrape the windshield with a razor blade or other sharp instruments because permanent damage will result.

NOTE

Covering the windshield with a clean, wet cloth for about 15 minutes before washing will make dried bug removal easier.

Harley-Davidson Windshield Water Repellent Treatment Part Number 99841-01 is approved for use on Harley-Davidson polycarbonate windshields.



SERVICE PARTS

is07389

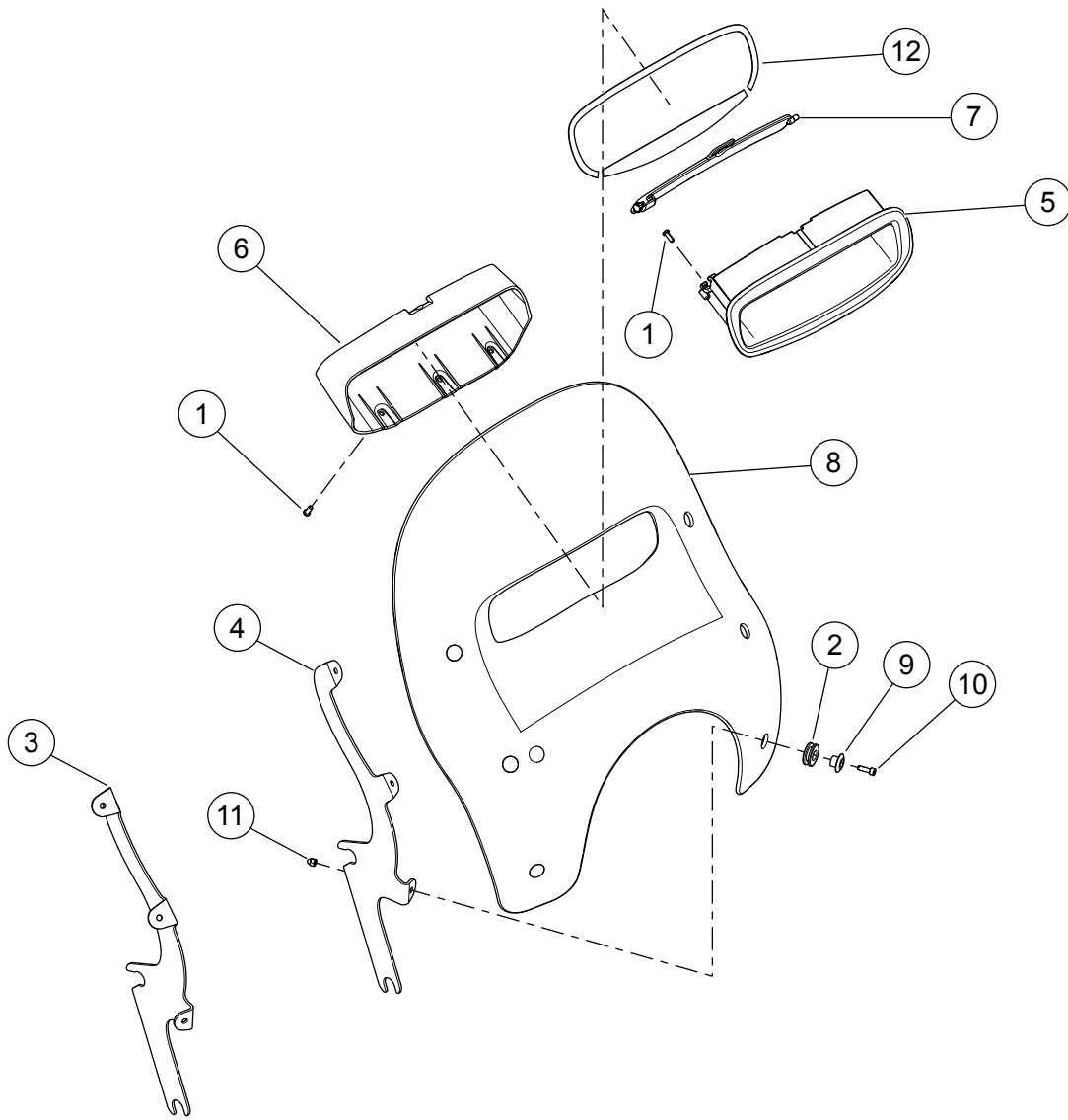


Figure 1. Service Parts: Vented Detachable Windshield

Table 1. Service Parts Table

Item	Description (Quantity)	Part Number
1	TORX® screws (6)	10200204
2	Grommet (6)	11564
3	Windshield mounting bracket (right)	12700065
4	Windshield mounting bracket (left)	12700066
5	Air duct vent	29200027
6	Air duct shroud	29200028
7	Air duct vane	29200029
8	Windshield service kit	57400196
9	Mount	57400178
10	Windshield mounting screw (6)	10200218
11	Acorn nut	7154M
12	Tape	57400175