



INSTRUCTIONS

J06376

2017-08-22



HOLDFAST DETACHABLE TWO-UP TOUR-PAK MOUNTING KIT

GENERAL

Kit Numbers

50300186, 50300188, 50300192

Models

For model fitment information, see the P&A retail catalog or the Parts and Accessories section of www.harley-davidson.com (English only).

Installation Requirements

Docking Hardware Kit 52300378 or 52300379.

Loctite 243 Medium Strength Threadlocker and Sealant- Blue (Part No. 99642-97) is required for proper installation of this kit.

⚠ WARNING

Rider and passenger safety depend upon the correct installation of this kit. If the procedure is not within your capabilities or you do not have the correct tools, have a Harley-Davidson dealer perform the installation. Improper installation of this kit could result in death or serious injury. (00308b)

Kit Contents

Refer to Figure 4 and Table 1.

DOCKING HARDWARE INSTALLATION

NOTE

The rear docking point has a plastic insert. Front docking point does not.

1. See Figure 3. Remove OE screws. Right side remove rear most screw (A).
2. See Figure 4. Apply threadlocker to bolts (6).
Consumable: LOCTITE 243 MEDIUM STRENGTH THREADLOCKER AND SEALANT (BLUE) (99642-97)
3. Install docking point to vehicle using bolt from kit with docking point flats horizontal to ground. Finger tighten.
4. The black plastic docking point insert is elliptical. When flats on docking point are horizontal to ground, docking point fit is at its loosest. When flats are vertical, docking point fit is at its tightest.
5. Repeat steps 2 and 3 for left side

TOUR-PAK MOUNT INSTALLATION

1. See Figure 4. Position the right (4) and left (3) latch levers in the unlocked position as shown in Figure 1, upper view (Item 1).
 - a. Pull both detent levers (3) rearward against the compression spring (8, not visible).
 - b. Rotate the levers upward so each latch nose (4) is positioned inside the lower rear notch (9) of the side plate (6).
 - c. Each detent pin (7) is now located in the uppermost (unlocked position) notch.
 - d. The compression spring (8) inside the detent lever holds the latch (5) in the unlocked position.
2. Push the Tour-Pak® mount front notches (10), with grommets (11) in place, firmly and evenly into the front docking points (12).
3. See Figure 1, lower view. Swing the rear of the Tour-Pak mount side plates (6) downward toward the rear docking points (13).
 - a. As the side plates (6) move down, the latches make contact with the plastic surface of the rear docking points.
4. As the docking points contact the latches, each latch nose (4) is forced upward.
 - a. This causes the pin (7) to move down into the lowermost (2-locked) position on the side plate.
 - b. The springs (8) lock each latch firmly in place around the rear docking points.
 - c. You should hear an audible click as the latches engage the docking points.
5. Make sure that detent pins (7) are fully seated against the side plates (6).
 - a. If not fully seated, push detent lever (3) forward.



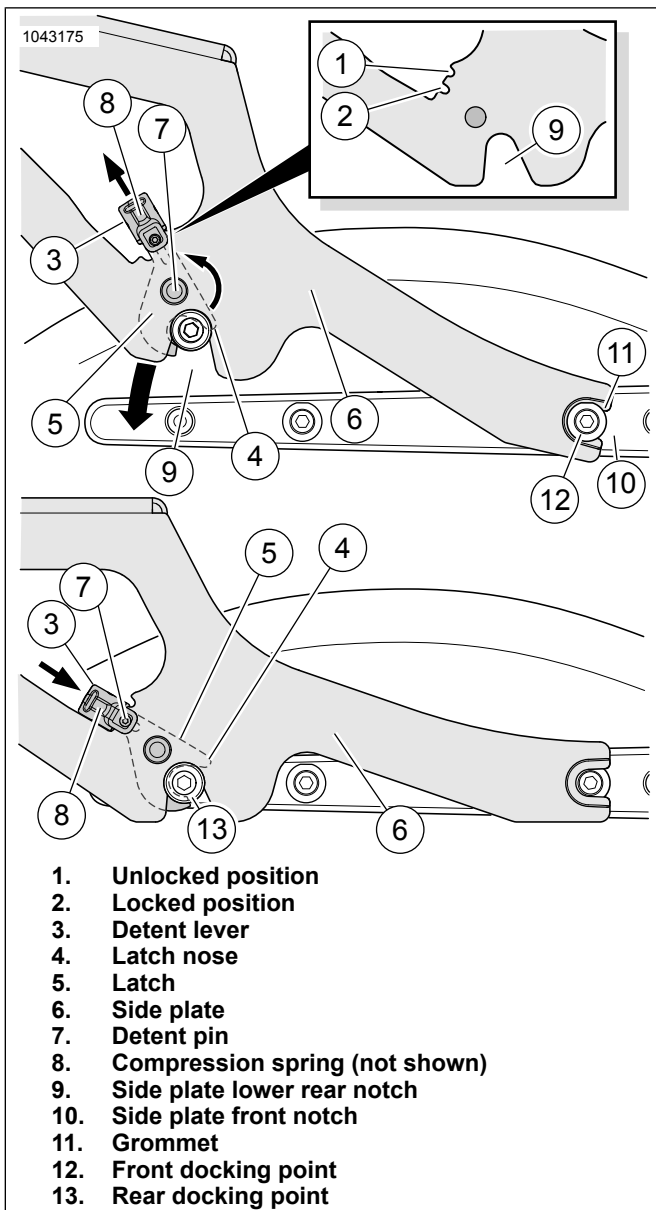


Figure 1. Detachable Two-Up Tour-Pak Mount Installation

CHECKING DOCKING POINT TIGHTNESS

NOTE

If the rack rattles once installed, docking points must be adjusted.

- To adjust, rotate clockwise in small increments so that the flat is no longer horizontal.

NOTE

Maximum achievable tightness are when the flats are perpendicular to the ground. At each increment, check rack for tightness.

- See flats (F) in Figure 2. Continue rotation in small increments and check accessory fit until desired tightness is achieved.
- Tighten docking point screws. Tighten.
Torque: 28.5–36 N·m (21–27 ft-lbs)

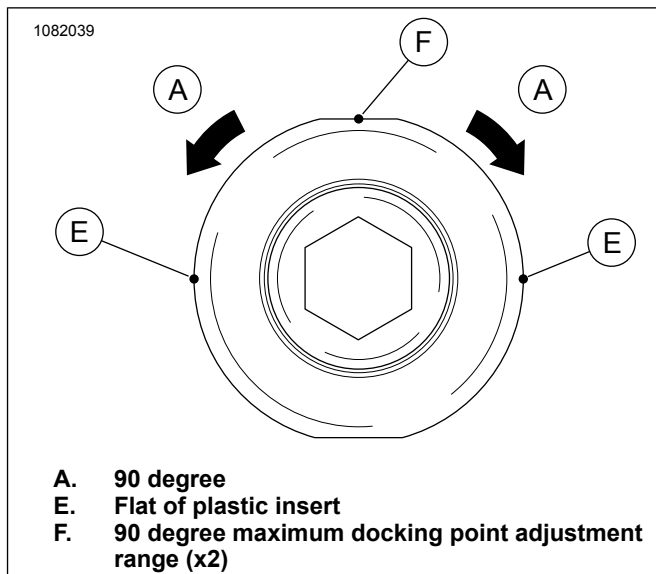


Figure 2. Docking Point Flats

TOUR-PAK MOUNT REMOVAL

- See Figure 3. Pull both detent levers (3) rearward from the locked position (2), against the compression spring (8).
- Rotate the detent levers upward while pulling on the levers.
 - As the levers rotate upward, the latch noses (4) are forced against the rear docking points (Figure 1, Item 13).
 - This raises the rear of the Tour-Pak mount side plates (6) out of the docking points.
- Release the detent levers. The springs (8) will move each lever back into the unlocked position (1).
- Pull the Tour-Pak mount side plates away from the front docking points.
- Remove the Tour-Pak mount from the vehicle.

1043179

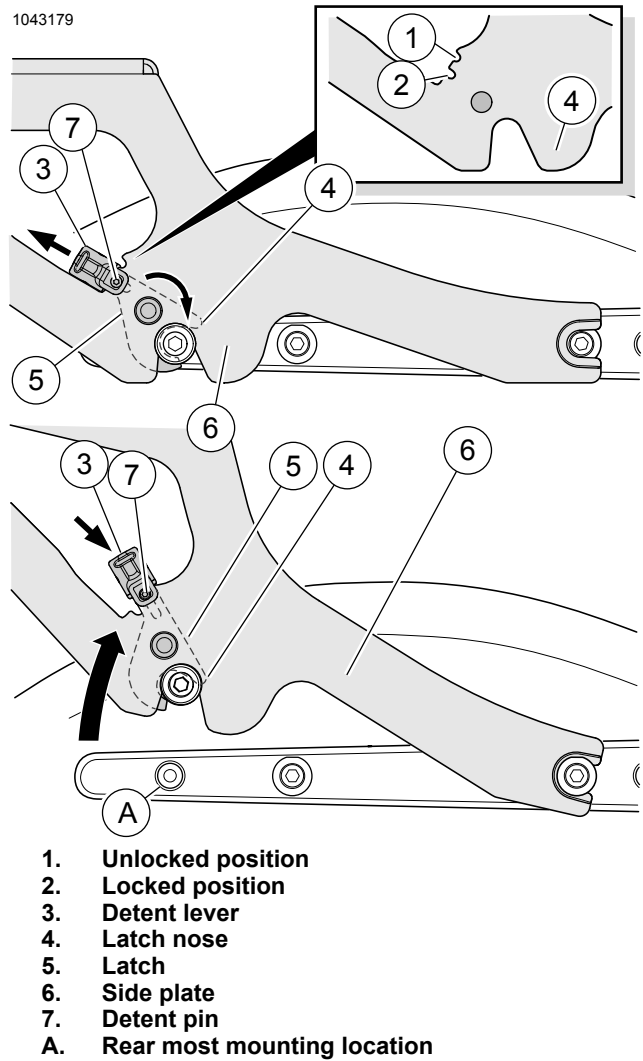


Figure 3. Detachable Two-Up Tour-Pak Mount Removal

MAINTENANCE

In time docking points wear, causing the rack to become loose and rattle. Tighten using maintenance procedure found in Docking Hardware Kit J06371.

SERVICE PARTS

1043183

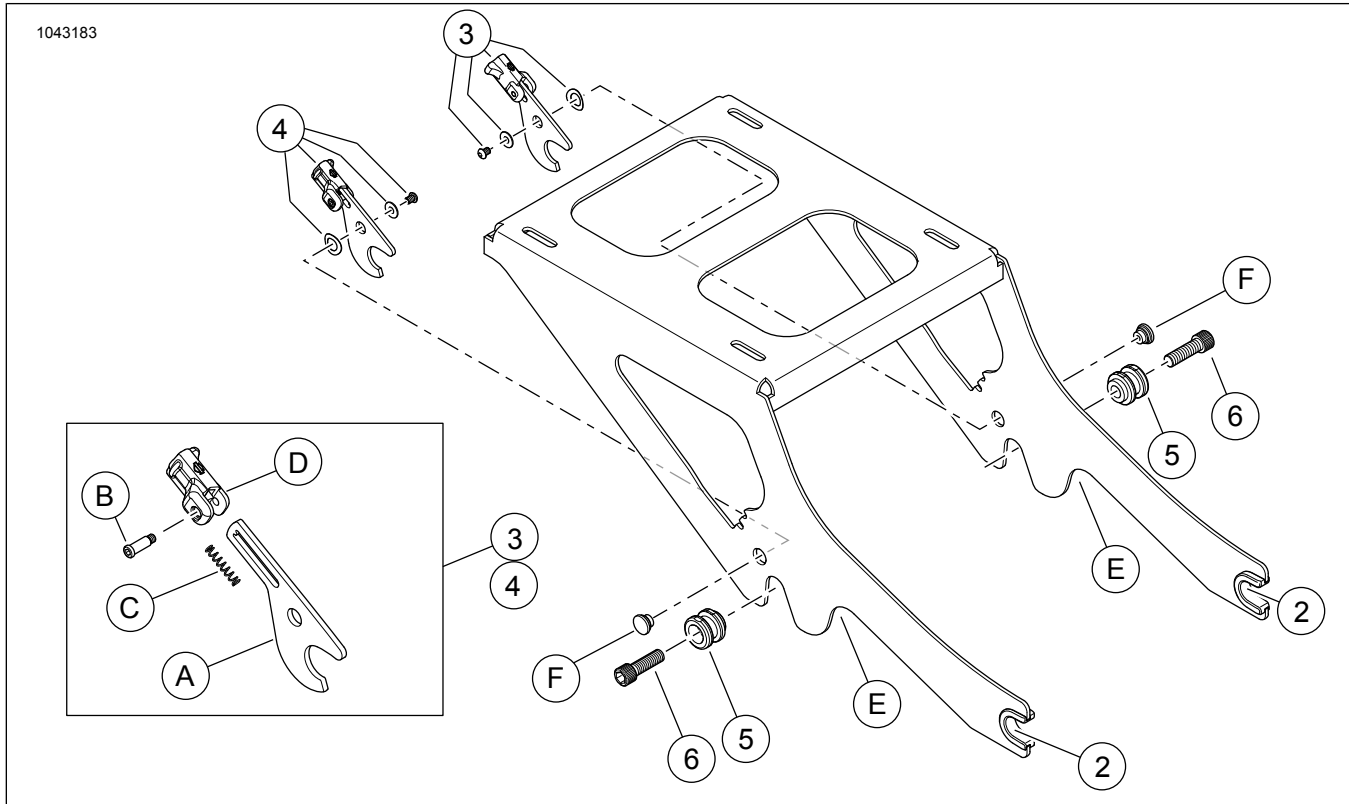


Figure 4. Service Parts, Detachable Tour-Pak Mount Kits

Table 1. Service Parts Table

Item	Description (Quantity)	Part Number
1	Tour-Pak rack, solo seat	Not sold separately
2	Grommet, side plate mounting bracket (2)	52300474
3	Docking System Latch Lever Kit- Left (black: for Kits 503001188, 50300192) Docking System Latch Lever Kit- Left (chrome: for Kit 50300186)	50300221 50300219
4	Docking System Latch Lever Kit- Right (black: for Kits 50300188, 50300192) Docking System Latch Lever Kit- Right (chrome: for Kit 50300186)	50300222 50300220
5	Bushing, docking points rear, chrome Bushing, docking points rear, black	52300488 52300538
6	Bolt, socket head hex, chrome Bolt, socket head hex, Black	94355-91T 10200575
Items mentioned in text.		
A	Latch	
B	Detent pin	
C	Compression spring	
D	Detent lever	
E	Lower rear side plate notch	
F	Pivot plug, threaded	