



INSTRUCTIONS

J06375

2017-08-28



HOLDFAST DETACHABLE SOLO TOUR_PAK MOUNTING

GENERAL

Kit Numbers

50300174, 50300176

Models

For model fitment information, see the P&A retail catalog or the Parts and Accessories section of www.harley-davidson.com (English only).

Installation Requirements

Loctite 243 Medium Strength Threadlocker and Sealant- Blue (Part No. 99642-97) is required for proper installation of this kit.

⚠ WARNING

Rider and passenger safety depend upon the correct installation of this kit. If the procedure is not within your capabilities or you do not have the correct tools, have a Harley-Davidson dealer perform the installation. Improper installation of this kit could result in death or serious injury. (00308b)

NOTE

Load Rating: 10 lb. load rating. Do not exceed.

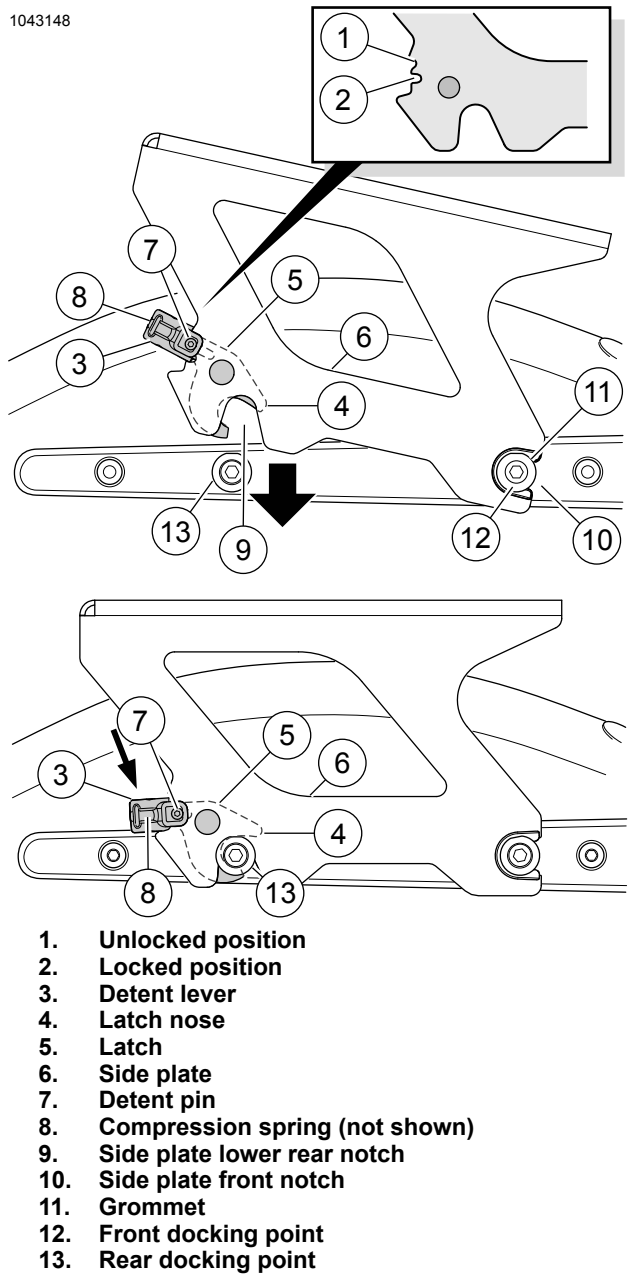
Kit Contents

Refer to Figure 3 and Table 1.

TOUR-PAK MOUNT INSTALLATION (ALL KITS)

- See Figure 3. Position the right (4) and left (3) latch levers in the unlocked position as shown in Figure 1, upper view (Item 1).
 - Pull both detent levers (3) rearward against the compression spring (8, not visible).
 - Rotate the levers upward so each latch nose (4) is positioned inside the lower rear notch (9) of the side plate (6).
 - Each detent pin (7) is now located in the uppermost (unlocked position) notch.
 - The compression spring (8) inside the detent lever holds the latch (5) in the unlocked position.
- Push the Tour-Pak® mount front notches (10), with grommets (11) in place, firmly and evenly into the front docking points (12).
- Figure 1, lower view. Swing the rear of the Tour-Pak mount side plates (6) downward toward the rear docking points (13).
 - As the side plates (6) move down, the latches make contact with the plastic surface of the rear docking points.
- As the docking points contact the latches, each latch nose (4) is forced upward.
 - This causes the pin (7) to move down into the lowermost (2-locked) position on the side plate.
 - The springs (8) lock each latch firmly in place around the rear docking points.
 - You should hear an audible click as the latches engage the docking points.
- Make sure that detent pins (7) are fully seated against the side plates (6).
 - If not fully seated, push detent lever (3) forward.
 - If still not fully seated, docking point may need to be rotated. See Docking Hardware Kit instructions.





1. Unlocked position
2. Locked position
3. Detent lever
4. Latch nose
5. Latch
6. Side plate
7. Detent pin
8. Compression spring (not shown)
9. Side plate lower rear notch
10. Side plate front notch
11. Grommet
12. Front docking point
13. Rear docking point

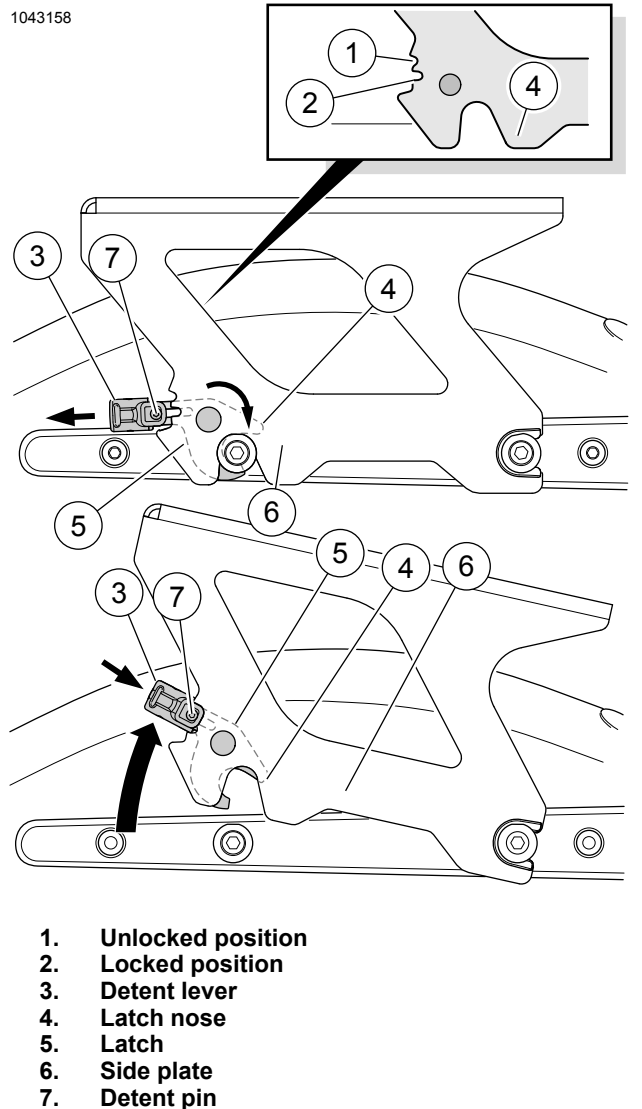
Figure 1. Detachable Two-Up Tour-Pak Mount Installation

TOUR-PAK MOUNT REMOVAL

1. See Figure 2. Pull both detent levers (3) rearward from the locked position (2), against the compression spring (8).
2. Rotate the detent levers upward while pulling on the levers.
 - a. As the levers rotate upward, the latch noses (4) are forced against the rear docking points (Figure 1, Item 13).

- b. This raises the rear of the Tour-Pak mount side plates (6) out of the docking points.

3. Release the detent levers. The springs (8) will move each lever back into the unlocked position (1).
4. Pull the Tour-Pak mount side plates away from the front docking points.
5. Remove the Tour-Pak mount from the vehicle.



1. Unlocked position
2. Locked position
3. Detent lever
4. Latch nose
5. Latch
6. Side plate
7. Detent pin

Figure 2. Detachable Two-Up Tour-Pak Mount Removal

MAINTENANCE

In time docking points wear, causing the rack to become loose and rattle. Tighten using maintenance procedure found in Docking Hardware Kit J06371.

Service Parts

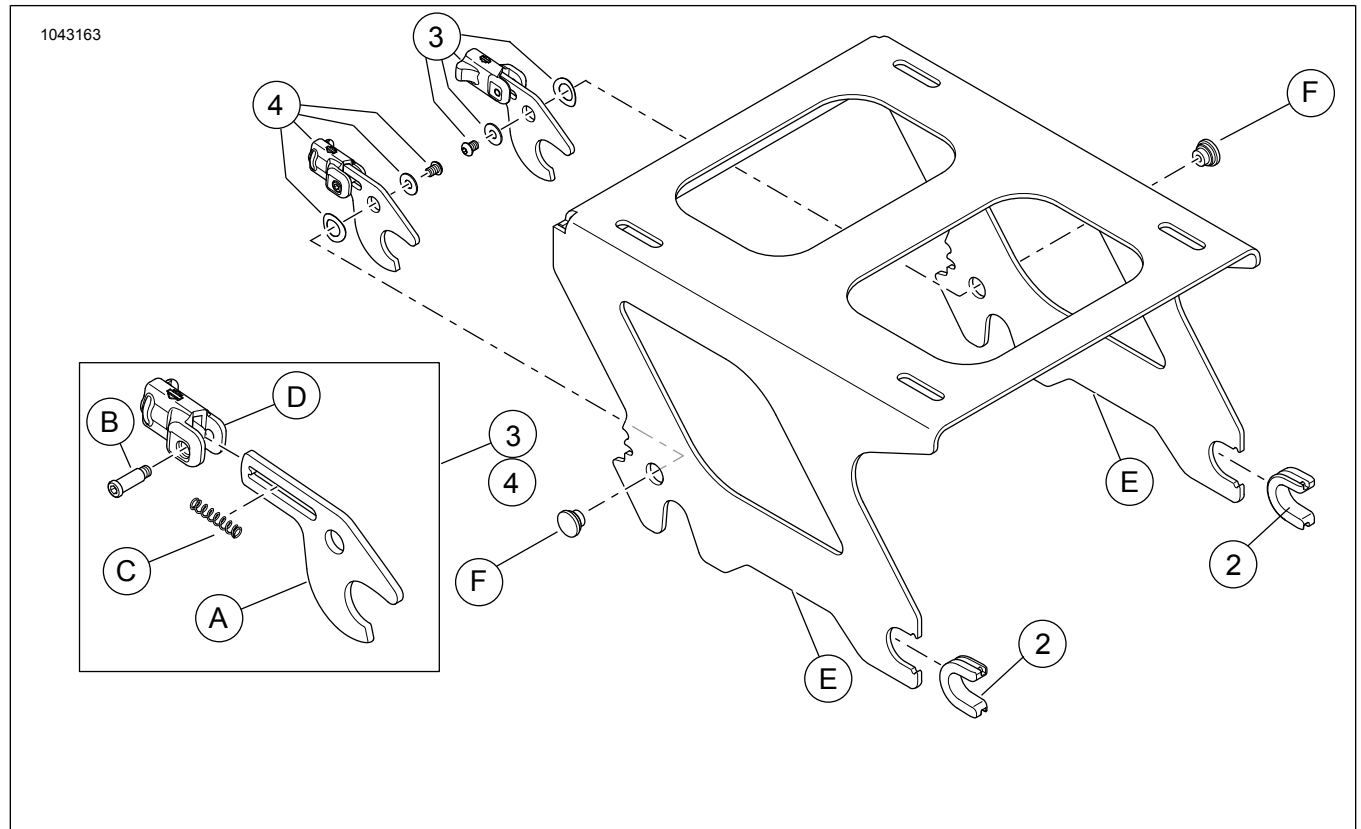


Figure 3. Service Parts, Detachable Tour-Pak Mount Kits

Table 1.

Item	Description (Quantity)	Part Number
1	Tour-Pak rack, solo seat	Not sold separately
2	Grommet, side plate mounting bracket (2)	52300474
3	Docking System Latch Lever Kit-Left (black) Docking System Latch Lever Kit-Left (chrome)	52300496 .
		52300495
4	Docking System Latch Lever Kit-Right (black) Docking System Latch Lever Kit-Right (chrome)	52300494 .
		52300493
Items mentioned in text.		
A	Latch	
B	Detent pin	
C	Compression spring	
D	Detent lever	
E	Lower rear side plate notch	
F	Pivot plug, threaded	