



# INSTRUCTIONS

94100198

2022-08-08



## RIDER AND PASSENGER FOOTPEGS

### GENERAL INFORMATION

Table 1. General Information

Kits	Suggested Tools	Skill Level <sup>(1)</sup>
50502148, 50502149, 50502150, 50502151, 50502338, 50502339, 50502353, 50502354	Safety Glasses, Torque Wrench, Loctite 243 Blue	
<i>(1) Tightening to torque value or other moderate tools and techniques required</i>		

### KIT CONTENTS

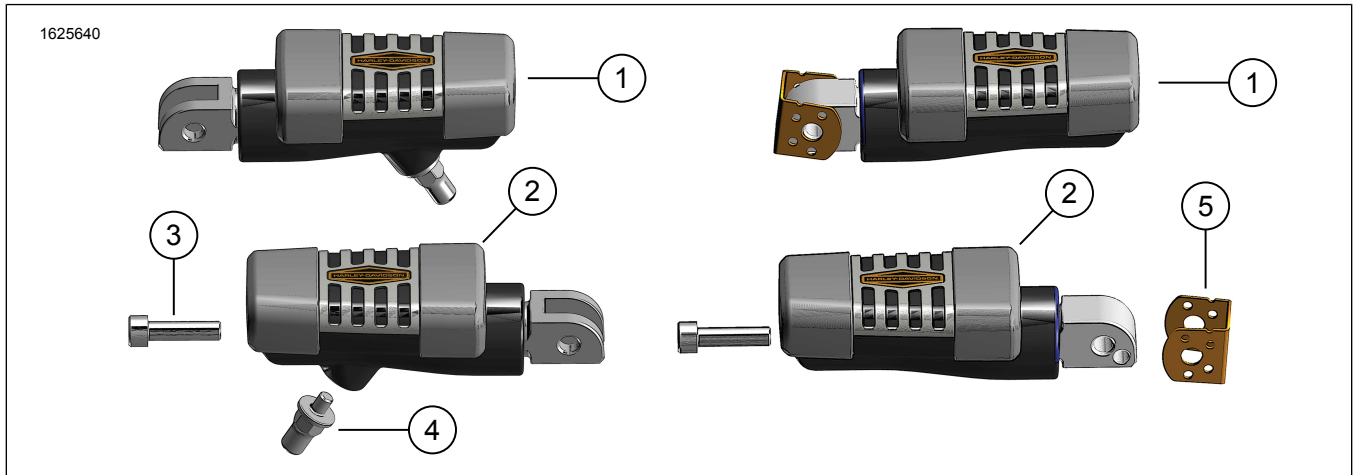


Figure 1. Kit Contents: Footpegs - Rider & Passenger

Table 2. Kit Contents: Footpegs - Rider & Passenger Kit

<input checked="" type="checkbox"/>	Verify that all contents are present in the kit before installing or removing items from vehicle.				
<input type="checkbox"/>	Item	Qty	Description	Part No.	Notes
<input type="checkbox"/>	1	1	Footpeg assembly, rider, right	50502184	Kit 50502148
<input type="checkbox"/>				50502186	Kit 50502149
<input type="checkbox"/>				50502193	Kit 50502150
<input type="checkbox"/>				50502341	Kit 50502338
<input type="checkbox"/>				50502342	Kit 50502339
<input type="checkbox"/>			Footpeg assembly, passenger, right	50502195	Kit 50502151
<input type="checkbox"/>				50502356	Kit 50502353
<input type="checkbox"/>				50502357	Kit 50502354
<input type="checkbox"/>	2	1	Footpeg assembly, rider, left	50502185	Kit 50502148
<input type="checkbox"/>				50502187	Kit 50502149
<input type="checkbox"/>				50502194	Kit 50502150
<input type="checkbox"/>				50502347	Kit 50502338
<input type="checkbox"/>				50502348	Kit 50502339
<input type="checkbox"/>			Footpeg assembly, passenger, left	50502196	Kit 50502151
<input type="checkbox"/>				50502362	Kit 50502353
<input type="checkbox"/>				50502363	Kit 50502354
<input type="checkbox"/>	3	2	Screw, adjustment	10201142	40.5 N·m (30 ft-lbs)
<input type="checkbox"/>	4	2	Wear peg	50502198	Kit 50502149
<input type="checkbox"/>				50501536	Kit 50502150
<input type="checkbox"/>				50500628	Kits 50502338, 50502339
<input type="checkbox"/>	5	2	Detent	50502231	Kits 50502151, 50502353, 50502354

## GENERAL

### Models

For model fitment information, see the Parts and Accessories (P&A) Retail Catalog or the Parts and Accessories section of [www.harley-davidson.com](http://www.harley-davidson.com).

Verify that the most current version of the instruction sheet is used. It is available at: [h-d.com/isheets](http://h-d.com/isheets)

Contact Harley-Davidson Customer Support Center at 1-800-258-2464 (U.S. only) or 1-414-343-4056.

## Installation Requirements

### ⚠ WARNING

Rider and passenger safety depend upon the correct installation of this kit. If the procedure is not within your capabilities or you do not have the correct tools, have a Harley-Davidson dealer perform the installation. Improper installation of this kit could result in death or serious injury. (00308b)

# INSTALL

## RIDER

1. Figure 2 Remove pin (4) and retaining clip (2). Retain.
  - a. Save all hardware including torsion spring (1) for installation on **new** footpegs (3).

2. Insert short leg of torsion spring (1) into hole in **new** footpeg (3).

### NOTE

When performing next step, verify that spring is positioned inside of footpeg.

3. Align long leg of torsion spring (1) to hole in footpeg mount and insert.
4. Rotate footpeg into position in clevis.
5. Insert pin (4) through clevis, footpeg (3) and spring (1).
6. Install retaining clip (2).
7. Repeat on opposite side.
8. Adjust orientation: (if design allows)
  - a. **Forward controls:** foot surface to be parallel to mounting pin.
  - b. **Mid controls:** foot surface to be parallel to ground.

9. Figure 1 Tighten adjustment screw (3).  
Torque: 40.5 N·m (30 ft-lbs)

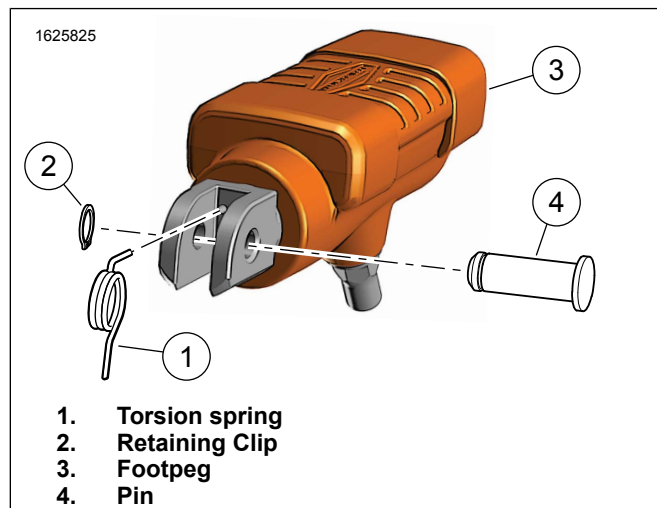


Figure 2. Rider Footpeg Torsion Spring Install

## PASSENGER

1. Figure 3 Remove pin (1) and retaining clip (5). Retain.

### NOTE

When performing next step, verify that spring (3) is positioned inside of footpeg.

- a. Save all hardware including detent spring (3), detent ball (4) and detent plate (6) for installation of **new** footpegs.

2. Insert detent spring (3) into **new** footpeg (2).

3. Insert detent ball (4).

4. Position detent plate (6) onto footpeg clevis edge, capturing detent ball (4) and detent spring (3) inside detent plate (6).

### NOTE

Certain models require use of detent plate from kit, including Sportster S and Nightster.

5. Install detent from kit, orienting notch upwards.

6. Slide detent plate (6) onto footpeg clevis.

7. Align detent plate (6) and footpeg (2) with footpeg mount on vehicle.

8. Install pin (1) and retaining clip (5).

9. Adjust orientation: (if design allows)

- a. Rotate to desired orientation.
- b. Fold peg up to stowed position and confirm clearance to other components.
- c. Adjust as necessary.

### NOTE

If there is contact on Screamin Eagle exhaust or if footpeg hits lock position too soon, remove and flip detent plate (6) over.

- d. Figure 1 Tighten adjustment screw (3).  
Torque: 40.5 N·m (30 ft-lbs)

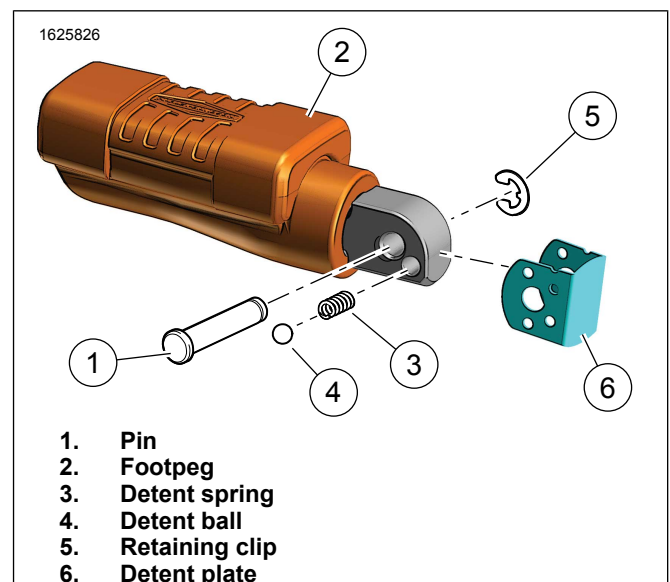


Figure 3. Passenger Footpeg Detent Spring Install

## **⚠ WARNING**

**Footrests must fold up and toward rear of motorcycle if struck. Failure to set footrests to fold up and back could result in death or serious injury. (00366a)**

### **WEAR PEG REPLACEMENT**

1. Figure 1 Remove existing wear peg (4) from footpeg.
2. Apply two or three drops of threadlocker to wear peg (4).  
Consumable: LOCTITE 243 MEDIUM STRENGTH  
THREADLOCKER AND SEALANT (BLUE) (99642-97)
3. Install wear peg (4) to footpeg. Tighten.  
Torque: 4.52–5.08 N·m (40–45 **in-lbs**)