



INSTRUCTIONS

J06091

2015-06-30



XL SEAT KITS

GENERAL

Kit Number

52000203, 52000207, 52000209, 52000211, 52000259, 52000260

Models

For model fitment information, see the P&A Retail Catalog or the Parts and Accessories section of www.harley-davidson.com (English only).

Installation Requirements

⚠ WARNING

Rider and passenger safety depend upon the correct installation of this kit. If the procedure is not within your capabilities or you do not have the correct tools, have a Harley-Davidson dealer perform the installation. Improper installation of this kit could result in death or serious injury. (00308b)

⚠ WARNING

Do not install these seat kits on motorcycles that are not equipped with an appropriate grab strap and passenger footpegs. If footpegs and grab strap are not installed, passenger could fall from moving motorcycle or grab onto operator, causing loss of control and death or serious injury. (00410b)

On models without passenger footpegs, install Passenger Footpeg Kit 50500270 for 2014 and later models. Install Passenger Footpeg Kit 50203-04 for 2004 through 2013 models.

Installation of kits 52000209, 52000211, 52000259 on XL1200X, XL1200V, XL1200N, XL883N models require purchase of guide washer (part number 7487).

Kit Contents

See Figure 4 and Table 1.

NOTICE

Detach passenger seat strap before removing seat. Failure to do so can result in damage to rear fender paint. (00225a)

REMOVAL

1. Remove the seat according to the directions given in the Owners Manual. All models except 2010 and later XL1200X, XL1200V, XL1200N, XL883N save the seat mounting screw (part number 2952A) to install the new seat. 2010 and later XL1200X, XL1200V, XL1200N, XL883N discard the seat mounting screw.

2. For models with a shock adjustment spanner stored in the seat pan. Remove spanner from OE seat. See Figure 3. Install spanner in wrench retention pocket (5).

INSTALLATION

NOTE

If installing a Badlander®, Tallboy® or solo seat with a sissybar/backrest pad present, remove the backrest pad before seat installation. Install backrest pad after the seat is installed.

Badlander Seats

1. See Figure 3. Install the grab strap (6) onto the bottom of the seat. Hook one side of the grab strap onto the tang (7) on the underside of the seat. Loop the grab strap over the seat. Hook the remaining side onto the other tang.

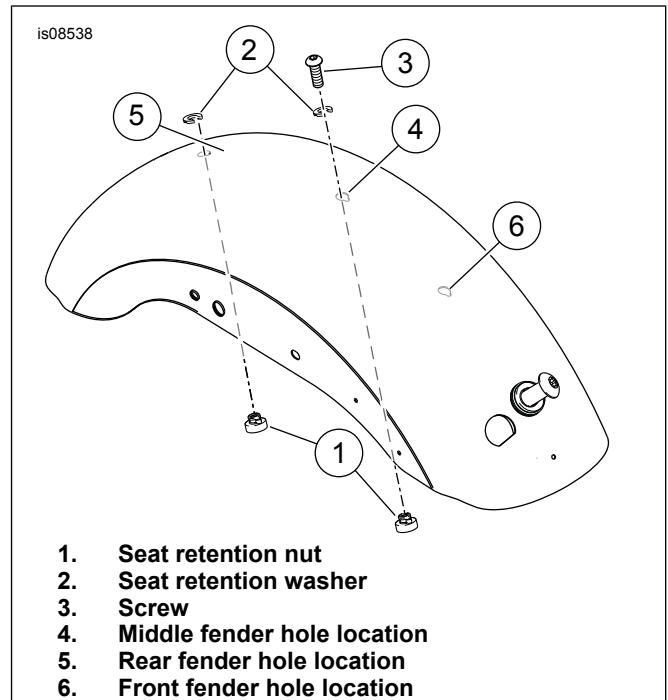


Figure 1. Seat Retention Nut and Washer Locations

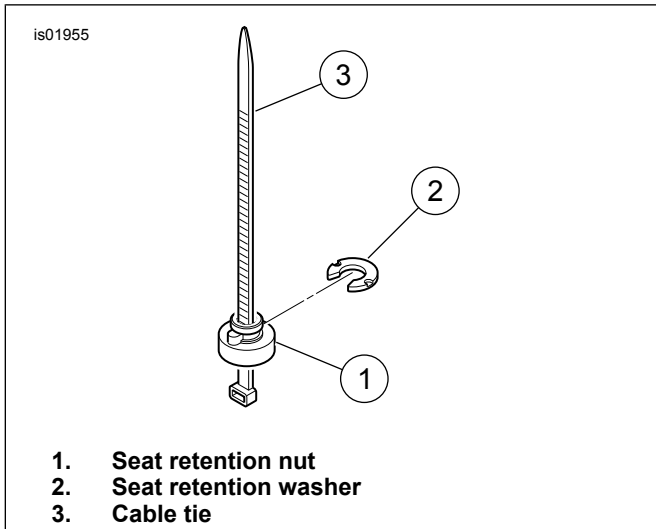


Figure 2. Seat Retention Nut, Washer, and Tool

Badlander and Tallboy Seats

1.
 - a. **For XL 883N, XL 1200V and XL 1200X models:** See Figure 1 and Figure 4. Remove the screw (3) from the rear hole location (5). Save the screw for installation. Mount seat using guide washer (part number 7487) underneath seat mounting tab. Mount seat using existing screw (part number 3085) in rear screw hole. Tighten to 2.3–4.5 N·m (20–40 **in-lbs**).
 - b. Mounting bracket (part number 5176-97A) may also be used. **For XL 883L models:** See Figure 1. Install seat retention kit in rear fender location (5). See Figure 2. A cable strap (3) can be used as an installation tool. Place the retention nut (1) over the cable strap. Position so the wide end of the nut rests on the eye of the cable strap. Thread the cable strap up under the fender and through the fender hole. Pull up on the cable strap to hold the nut snug against the underside of the fender. Mount seat using OE seat screw. Tighten to 2.3–4.5 N·m (20–40 **in-lbs**).
 - c. **For XL 1200C and XL 1200T models:** Mount seat using OE seat screw. Tighten to 2.3–4.5 N·m (20–40 **in-lbs**).

Solo Seats

1.
 - a. See Figure 1. If retention nut is installed in middle hole (4). Mount seat using OE seat screw. Tighten to 2.3–4.5 N·m (20–40 **in-lbs**).
 - b. See Figure 1. Install seat retention kit in middle fender location (4). See Figure 2. A cable strap (3) can be used as an installation tool. Place the retention nut (1) over the cable strap. Position so the wide end of the nut rests on the eye of the cable strap. Thread the cable strap up under the fender and through the fender hole. Pull up on the cable strap to hold the nut snug against the underside of the fender. Mount seat using OE seat screw. Tighten to 2.3–4.5 N·m (20–40 **in-lbs**).

All Models:

1. See Figure 3. Angle the front of the new seat into place so the tongue (4) engages the slot at the rear fuel tank mounting location.
2. Push the seat forward. Rotate the rear of the seat downward until the seat contacts the frame. Flex the seat slightly in the middle and slide the seat toward the rear until the keyhole slot (3) on the seat bottom engages with the center seat post on the frame.
3. Pull up on the center of the seat to verify that it is locked into place. (There is a small amount of play. The seat should only come up about a half an inch. The seat is held firmly in place by the post on the underside of the seat.) If the seat is not firmly in place, repeat Step 2 until the seat is firmly in place. Reference the Owners Manual for further instruction on seat placement if needed.

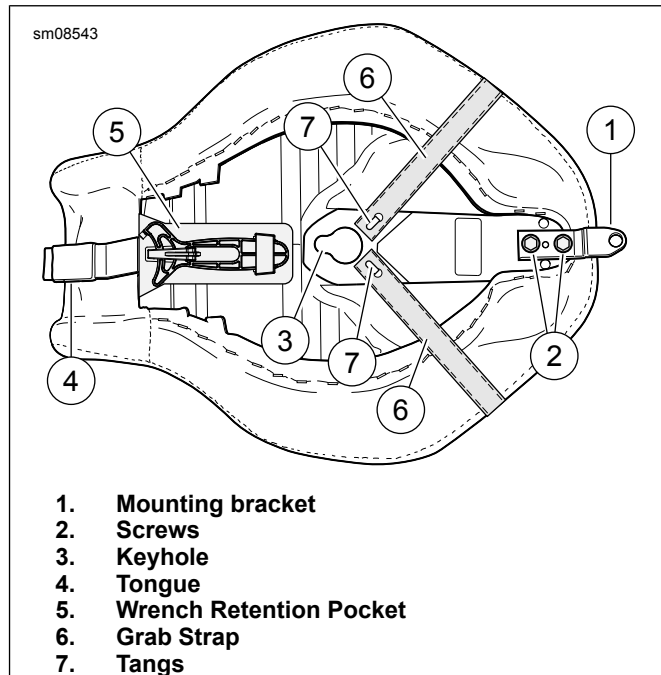


Figure 3. Bracket, Screws, Keyhole, Tongue and Grab Strap

4. See Figure 4. Install the seat mounting screw (A). Tighten to 2.3–4.5 N·m (20–40 **in-lbs**)

⚠ WARNING

After installing seat, pull upward on seat to be sure it is locked in position. While riding, a loose seat can shift causing loss of control, which could result in death or serious injury. (00070b)

5. Pull up on the front and rear of the seat again to verify that it is properly secured.

SERVICE PARTS

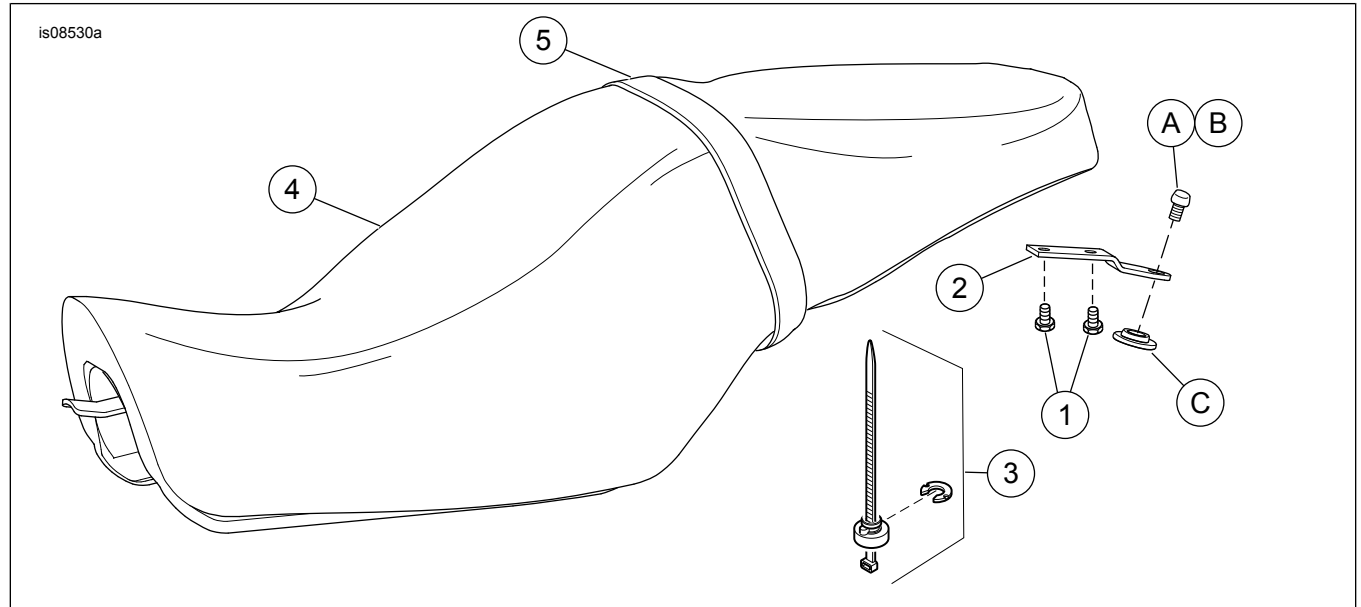


Figure 4. Service Parts: XL Seat

Table 1. XL Seat Service Parts Table

Kit	Item	Description (Quantity)	Part Number
Kit 52000203	1	Screw, (2)	3588
	2	Mounting bracket	51652-97A
	3	Seat retension nut kit	59768-97
	4	Seat	Not sold separately
Kit 52000207	1	Screw, (2)	3588
	2	Mounting bracket	52000190
	3	Seat retension nut kit	59768-97
	4	Seat	Not sold separately
Kit 52000209	1	Screw, (2)	3588
	2	Mounting bracket	51652-97A
	3	Seat retension nut kit	59768-97
	4	Seat	Not sold separately
Kit 52000211 Kit 52000259	1	Screw, (2)	3588
	2	Mounting bracket	51652-97A
	3	Seat retension nut kit	59768-97
	4	Seat	Not sold separately
	5	Grab strap	52400099
Kit 52000260	1	Screw, (2)	3588
	2	Mounting bracket	51740-10
	3	Seat retension nut kit	59768-97
	4	Seat	Not sold separately
Items mentioned in text, but not included in kit:			
	A	Mounting screw	2952A
	B	Mounting screw	3085
	C	Guide washer	7487