



# INSTRUCTIONS

J03166

2023-01-10



## SHIFTER PEG KIT

### GENERAL

#### Kit Number

33946-05, 33600008, 33600075, 33600154, 33600256, 33600257, 33600295, 33600303, 33600357, 33600383, 33600384

#### Models

For model fitment information, see the P&A Retail Catalog or the Parts and Accessories section of [www.harley-davidson.com](http://www.harley-davidson.com) (English only).

Verify that the most current version of the instruction sheet is used. It is available at: [h-d.com/isheets](http://h-d.com/isheets)

#### ⚠ WARNING

**Rider and passenger safety depend upon the correct installation of this kit. If the procedure is not within your capabilities or you do not have the correct tools, have a Harley-Davidson dealer perform the installation. Improper installation of this kit could result in death or serious injury. (00308b)**

#### Kit Contents

See Figure 1 and Table 1.

### INSTALLATION

1. Remove existing shifter peg.
2. See Figure 1. **For Kits 33946-05 and 33600008:** Assemble shifter peg, if necessary:
  - a. Insert spacer tube (1) in tread (3).
  - b. Install tread with spacer tube insert into chrome cover (2).
  - c. Verify that the tread is oriented properly.
3. **Kits 33946-05 and 33600008:** Install shifter peg assembly (6) and screw (4) to shift lever. Do not tighten. **Kits 33600075, 33600154, 33600256, 33600257, 33600295, 33600303 and 33600357:** Install shifter peg assembly (6), screw (4) and washer (5). Position washer between shifter peg and shift lever. Do not tighten. **Kits 33600295 and 33600303:** Place washer under bolt head.
4. Rotate shifter peg (6) to desired orientation.
5. Secure screw (4). Tighten.  
Torque: 16.3–18.9 N·m (144–168 in-lbs) Screw

# SERVICE PARTS

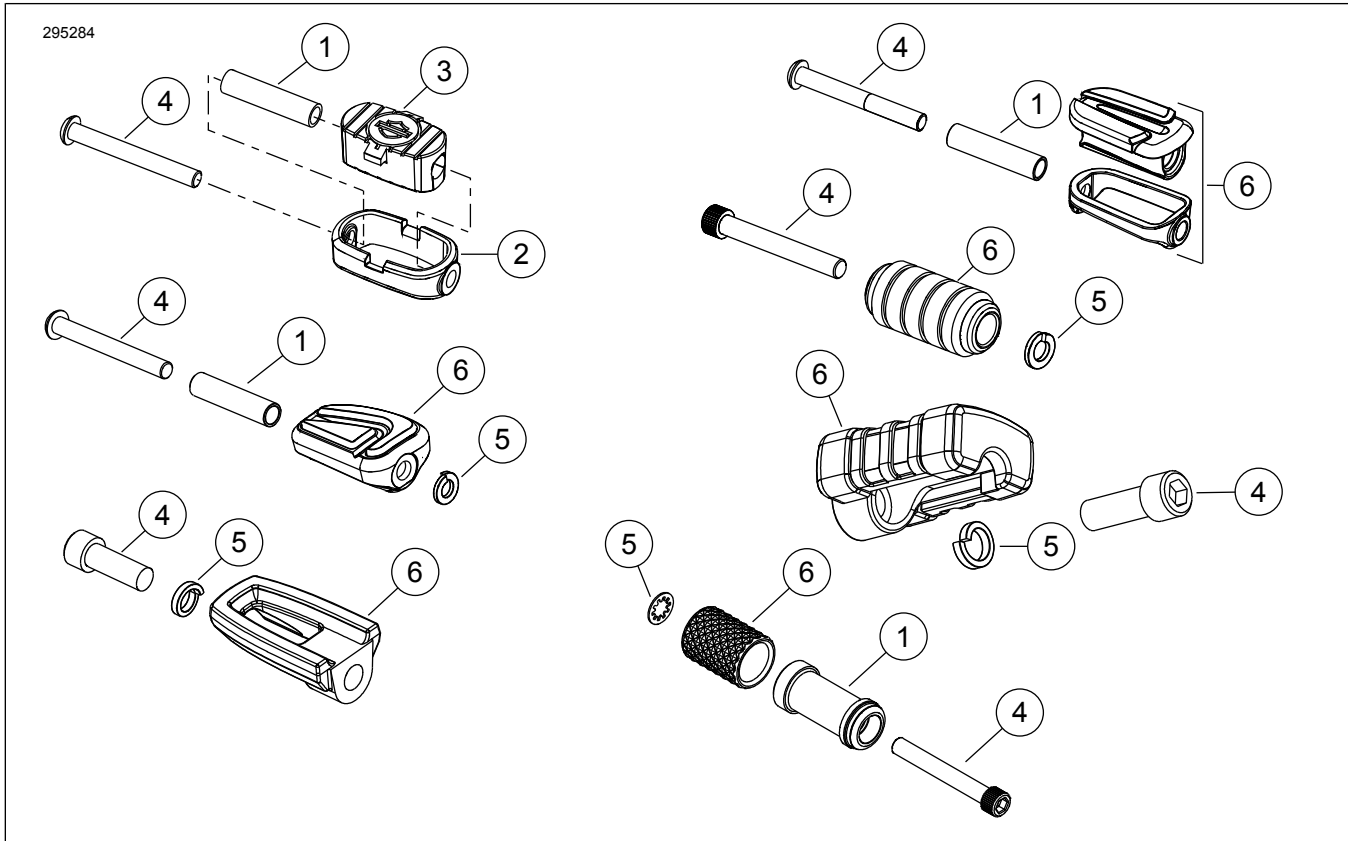


Figure 1. Shifter Peg Kit

Table 1. Service Parts

Item	Description (Quantity)	Part Number
1	Spacer, Kit 33946-05	50784-97
	Spacer, Kit 33600383	Not sold separately
	Spacer, Kit 33600384	Not sold separately
2	Cover, Kit 33946-05	33947-05
3	Tread, Kit 33946-05	Not sold separately
4	Screw, Kit 33946-05	10200594
	Screw, Kit 33600008	94545-03
	Screw, Kit 33600075	4196
	Screw, Kits 33600256, 33600383	10500108
	Screw, Kits 33600257, 33600384	10500107
	Screw, Kits 33600295, 33600303, 33600357	10201005
	Screw, Kit 33600154	10200853
5	Lockwasher, Kits 33600075, 33600154, 33600256	7041
	Lockwasher, Kits 33600295, 33600303	7042
	Lockwasher, Kit 33600357	10300230
	Lockwasher, Kit 33600383	7127
	Lockwasher, Kits 33600257, 33600384	7155
6	Shifter Peg Assembly, Kit 33600008	33600007
	Shifter Peg Assembly, Kit 33600075	33600056
	Shifter Peg Assembly, Kit 33600154	33600098
	Shifter Peg Assembly, Kit 33600256	33600251
	Shifter Peg Assembly, Kit 33600257	33600244
	Shifter Peg Assembly, Kit 33600295, 33600303	Not sold separately
	Shifter Peg Assembly, Kit 33600357	33600369
	Shifter Peg Assembly, Kits 33600383, 33600384	Not sold separately