



INSTRUCTIONS

J06805

2019-08-19



OVERWATCH HANDLEBAR BAG, LARGE

GENERAL INFORMATION

Table 1. General Information

Kits	Suggested Tools	Skill Level ⁽¹⁾	Time
93300122	Safety Glasses		15 minutes

(1) Only simple tools and techniques required

KIT CONTENTS

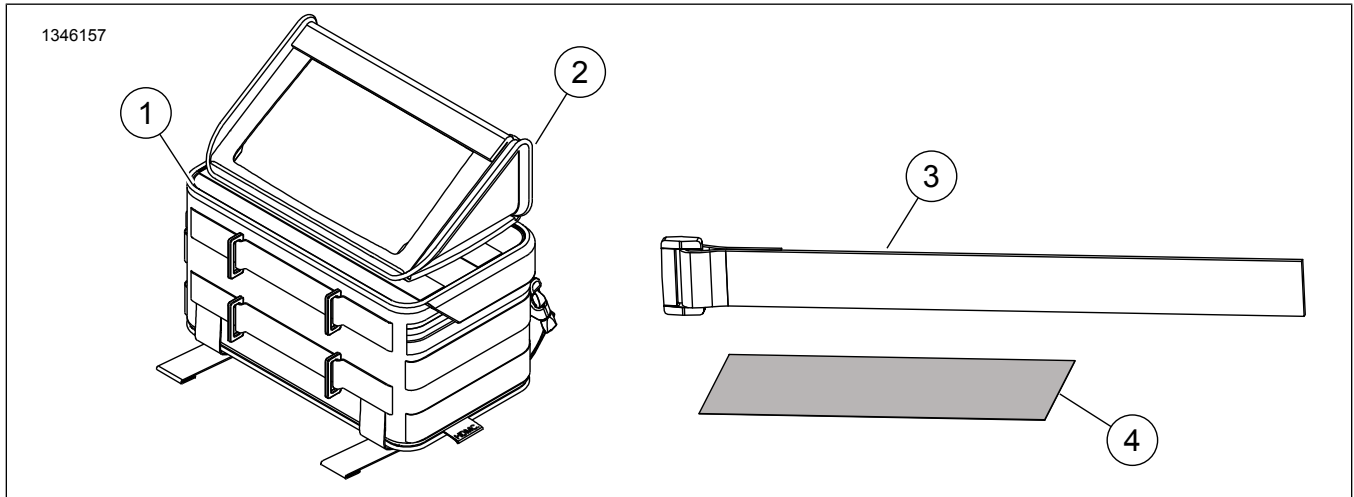


Figure 1. Kit Contents: Overwatch Handlebar Bag Components

Table 2. Kit Contents: Overwatch Handlebar Bag Components

<input checked="" type="checkbox"/>	Item	Qty	Description	Part No.	Notes
<input type="checkbox"/>	1	1	Bag, handlebar, large	Not sold separately	
<input type="checkbox"/>	2	1	Bag, phone	93300130	
<input type="checkbox"/>	3	6	Hook-and-Loop	93500026	
<input type="checkbox"/>	4	1	Anti-abrasion tape	Not sold separately	

NOTE

Verify all contents are present in the kit before installing or removing items from vehicle.

Contact Harley-Davidson Customer Support Center at 1-800-258-2464 (U.S. only) or 1-414-343-4056.

Installation Requirements

▲ WARNING

Rider and passenger safety depend upon the correct installation of this kit. If the procedure is not within your capabilities or you do not have the correct tools, have a Harley-Davidson dealer perform the installation. Improper installation of this kit could result in death or serious injury. (00308b)

GENERAL

Models

For model fitment information, see the P&A Retail Catalog or the Parts and Accessories section of www.harley-davidson.com (English only).

Verify that the most current version of the instruction sheet is used. It is available at: www.harley-davidson.com/isheets



PREPARE

1. Cut anti-abrasion tape (4) to fit area being applied to.
 - a. Nacelle
 - b. Headlight bracket

INSTALL

▲ WARNING

Do not exceed Handlebar Bag weight capacity. Too much weight in Handlebar Bag can cause loss of control, which could result in death or serious injury. (06705a)

NOTE

Weight of contents must not exceed weight limit of 3 lbs (1.36 kg).

1. Figure 2 Attach a minimum of four hook-and-loops to back of bag.

2. Figure 3 Secure hook-and-loops on bag to handlebar (2), risers (3) and upper fork bracket (4).

NOTE

- When installing hook-and-loops to risers and handlebar be careful not to pull on, squeeze or pinch any wiring or cables.
- Verify full range of movement by turning handlebars lock-to-lock.
- Verify that bag does not cover up lighting, turn signals, reflectors, instruments cluster or warning lights when installed.
- Depending on vehicle model and configuration, bag can mount in front of or behind handlebars.

3. Tighten hook-and-loops as much as possible.
4. Trim excess hook-and-loop straps once installed.
5. Periodically recheck mounting straps and cargo.

Phone Bag Attachment

▲ WARNING

Set volume levels and other controls on audio and electronic devices before riding. Distractions can lead to loss of control, resulting in death or serious injury. (00088b)

1. Figure 4 Attach phone bag (1) on bag (3).
 - a. Slide straps (2) through loops (4) on top side of bag (3).
 - b. Secure with hook-and-loops (5).
 - c. Phone bag (1) can be mounted frontward or rearward facing on bag (3) depending on bag orientation.

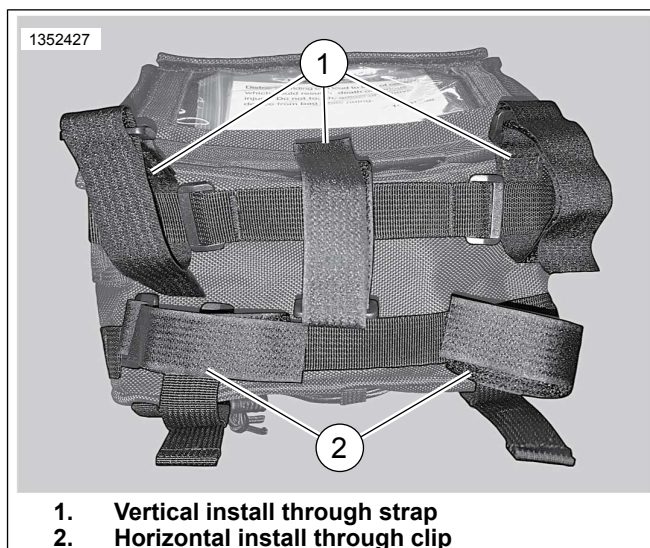


Figure 2. Hook-and-Loop Attachment Options

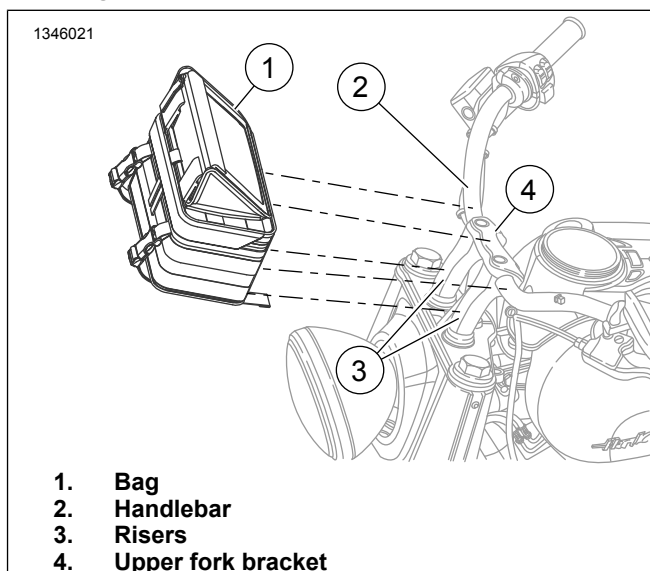


Figure 3. Bag and Hook-and-Loop Attachment

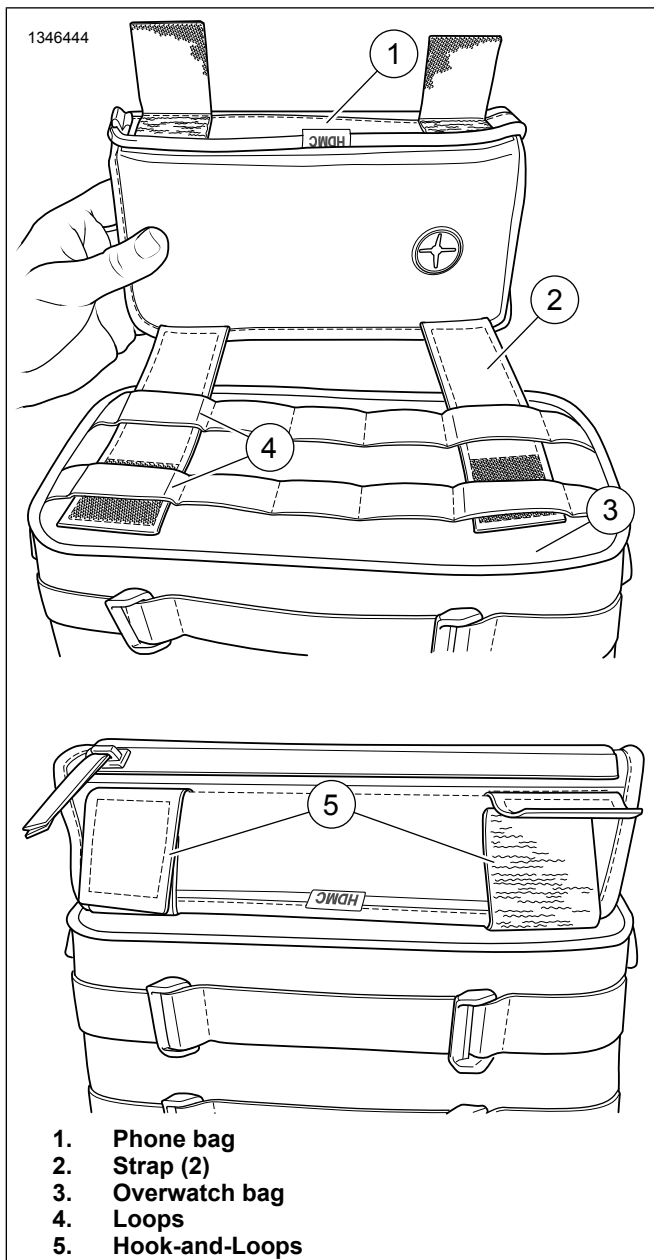


Figure 4. Attach Phone Bag to Overwatch Bag

CARE AND MAINTENANCE INSTRUCTIONS

1. Use a lint free cloth to wipe off any dust or dirt.
2. Thoroughly clean outer surface with warm water and a mild detergent.
3. Do not use artificial means to dry material quickly.
4. Contains one or more of the following materials:
 - a. Polyester
 - b. Polypropylene
 - c. Polyethylene
 - d. Polyvinyl chloride