



# INSTRUCTIONS

J06374

2017-08-23



## LUGGAGE RACK KIT, SOLO SEAT

### GENERAL

#### Kit Number

50300120, 50300154, 50300156

#### Models

For model fitment information, see the P&A Retail Catalog or the Parts and Accessories section of [www.harley-davidson.com](http://www.harley-davidson.com) (English only).

#### Installation Requirements

Separate purchase of Loctite 243 Threadlocker and Sealant - Blue (Part Number 99642-97) is required for proper installation of this kit. See a Harley-Davidson dealer.

#### ⚠ WARNING

Rider and passenger safety depend upon the correct installation of this kit. If the procedure is not within your capabilities or you do not have the correct tools, have a Harley-Davidson dealer perform the installation. Improper installation of this kit could result in death or serious injury. (00308b)

#### ⚠ WARNING

Do not exceed luggage rack weight capacity. Too much weight can cause loss of control, which could result in death or serious injury. (00373a)

#### NOTE

Maximum luggage rack weight capacity is 10 lbs.

#### Kit Contents

See Figure 7, Figure 8 and Refer to Table 1.

### INSTALLATION

#### Kit 50300120

1. Remove seat. See service manual.
2. Using a motorcycle lift, raise vehicle until rear wheel is off the ground and the suspension is relaxed.
  - a. Secure vehicle to prevent it from falling off the lift.
3. See Figure 1. Remove seat clip (2) and retaining nut (1).

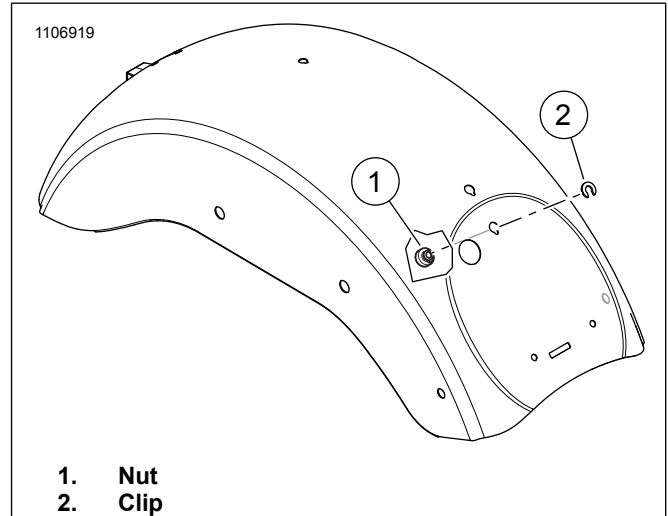


Figure 1. Fender Seat Nut (typical)

4. Under the fender and with a damp rag, clean around the area where the seat retaining nut was removed.

#### 5. NOTE

Keyed tab on retainer needs to be aligned with cut out in fender.

See Figure 2. Using duck tape, adhere seat tab retainer (1) in same spot where the seating retaining nut was removed.

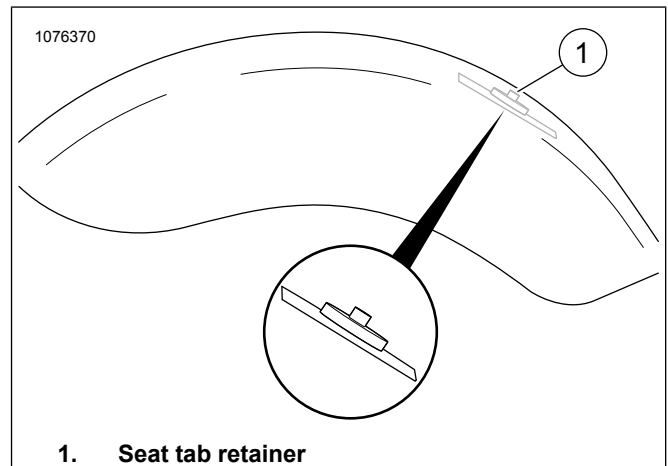


Figure 2. Fastener with Tape

6. See Figure 3. Place protective tape (2) on top of fender.

#### 7. NOTE

Keyed tab on spacer needs to be aligned with seat tab retainer and cut out in fender.

Place seat tab spacer (3) on top of protective tape with dished side down.

8. Install seat. Seat tab (4) will be placed on top of seat tab spacer (3).

9. Apply threadlocker to screw (6).

Consumable: LOCTITE 243 MEDIUM STRENGTH THREADLOCKER AND SEALANT (BLUE) (99642-97)

10. See Figure 4. Remove screws (1) from fender.

11. **NOTE**

*Cover the rear fender with an H-D Service Cover or clean shop towel to prevent scratching the finish.*

Install rack on fender.

a. Position rack (2) on fender.

b. See Figure 3. Align hole in rack (1) with hole in seat tab (4).

c. Loosely install washer (5) and screw (6).

d. See Figure 4. Align holes in side plate of rack with fender.

e. Loosely install both socket head cap screw (3) to hold rack in position

f. Remove one socket head cap screw (3) and apply threadlocker.

LOCTITE 243 MEDIUM STRENGTH  
THREADLOCKER AND SEALANT (BLUE)  
(99642-97)

g. See Figure 7. Install docking spacer (8) between fender and fender mount and secure it with socket head cap screw.

h. Repeat hardware installation on opposite side.

12. See Figure 7. Tighten screw (2).

Torque: 13.5 N·m (10 ft-lbs)

13. Tighten screws (9).

Torque: 28.4–36.6 N·m (21–27 ft-lbs)

14. Remove tape from under fender.

15. Remove protective cloth from fender.

16. Lower vehicle. Remove lifting device.

17. Pull up on the seat to verify that it is secure.

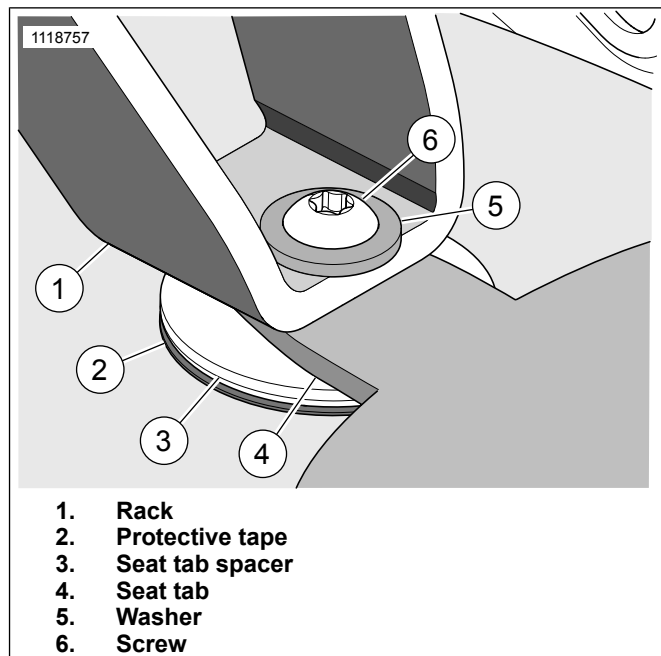


Figure 3. Hardware Installation

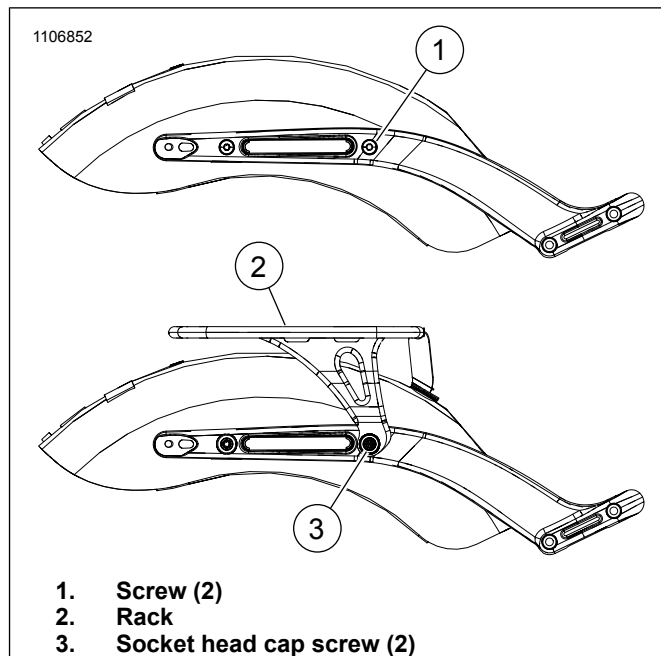


Figure 4. Kit 50300120

### Kits 50300154 and 50300156

1. Remove nuts that secure seat to fender.

2. See Figure 6. Remove screws (1) from fender.

3. **NOTE**

*Cover the rear fender with an H-D Service Cover or clean shop towel to prevent scratching the finish.*

Install rack on fender.

a. See Figure 5. Make sure nylon washer (1) and seat tab (2) are properly positioned on the studs.

- b. Position rack (3) on seat tab (2).
- c. Loosely install washers (4) and nuts (5).
- d. See Figure 6. Align holes in side plate of rack with fender.
- e. Loosely install both socket head cap screw (3) to hold rack in position.
- f. Remove one socket head cap screw (3) and apply threadlocker.

LOCTITE 243 MEDIUM STRENGTH  
 THREADLOCKER AND SEALANT (BLUE)  
 (99642-97)

- g. See Figure 8. Install docking spacer (5) between fender and fender mount and secure it with socket head cap screw.
- h. Repeat hardware installation on opposite side.

- 4. Tighten nuts (2).  
 Torque: 13.5 N·m (10 ft-lbs)
- 5. Tighten screws (6).  
 Torque: 28.4–36.6 N·m (21–27 ft-lbs)
- 6. Remove protective cloth from fender.
- 7. Pull up on the seat to verify that it is secure.

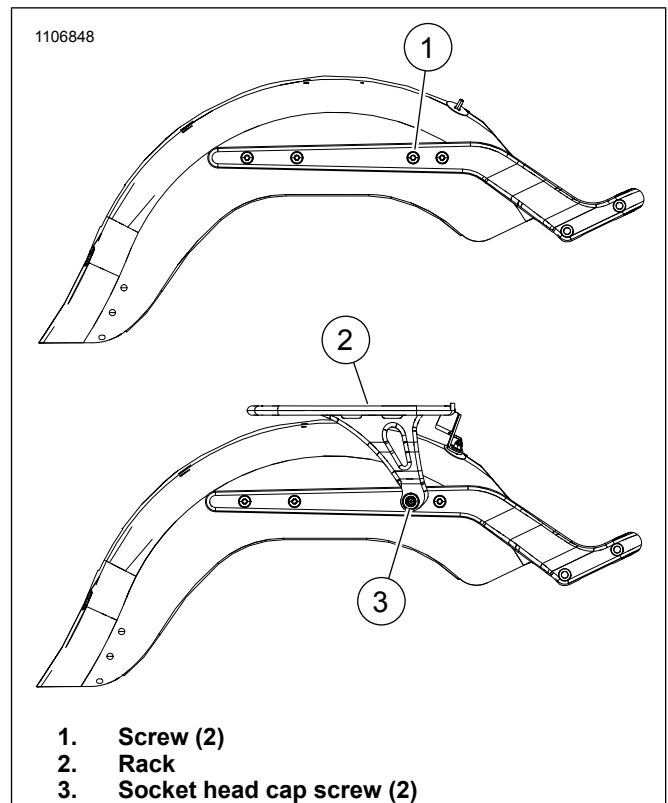


Figure 6. Kits 50300154 and 50300156

## SERVICE PARTS

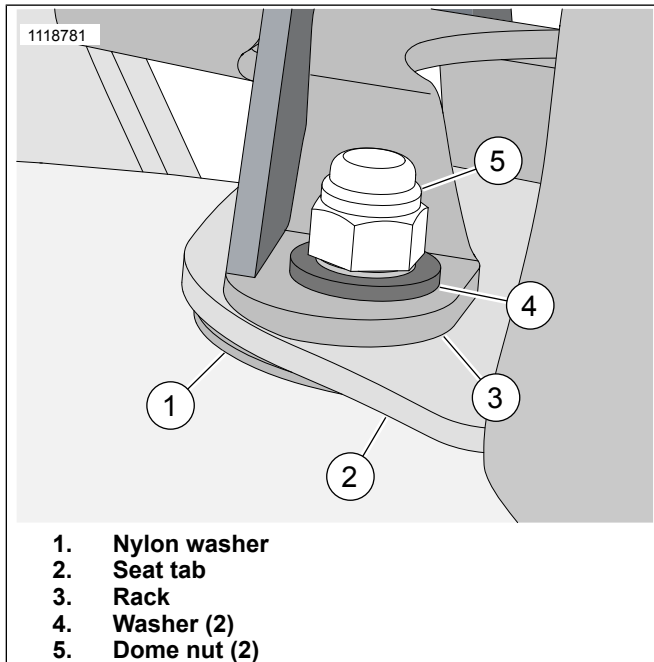


Figure 5. Hardware Installation

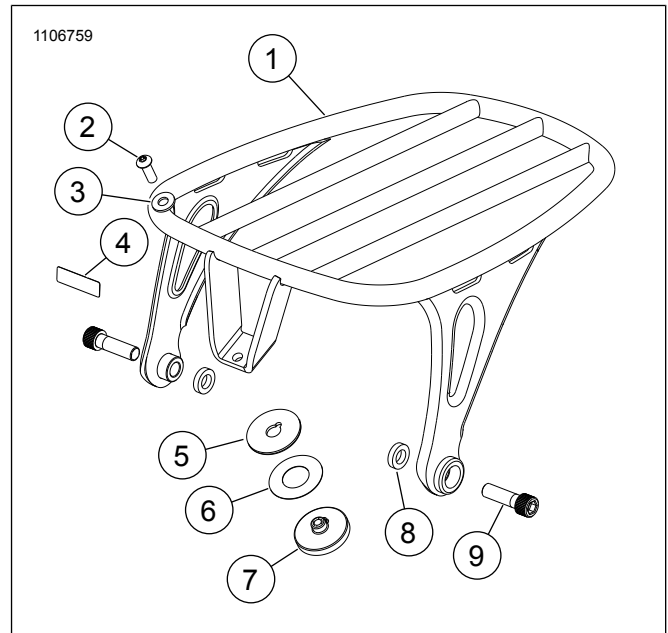


Figure 7. Kit 50300120

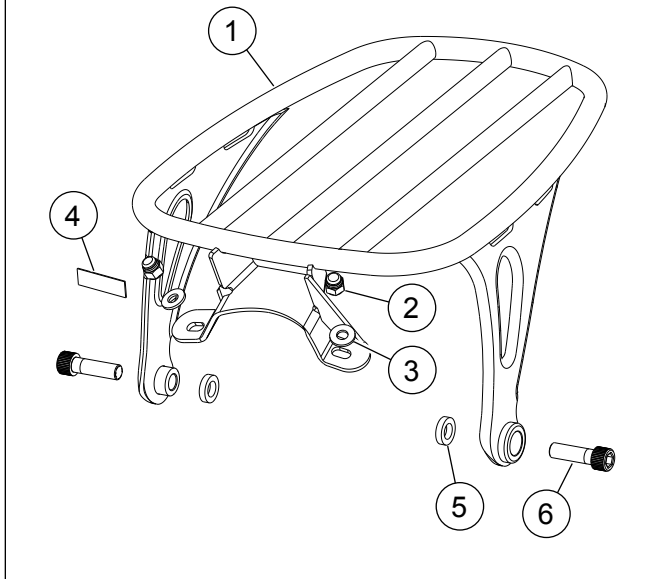


Figure 8. Kit 50300154/156

Table 1. Service Parts Table

Kits	Item	Description (Quantity)	Part Number
50300120	1	Rack, solo seat, black	Not sold separately
	2	Screw	94593-98
	3	Washer	6339
	4	Load limit label	Not sold separately
	5	Seat tab spacer, chrome	59796-03
	6	Protective tape	59566-03
	7	Seat tab retainer	59795-03
	8	Docking spacer (2)	12400167
	9	Socket head cap screw (2)	94355-91T
50300154	1	Rack, solo seat, chrome	Not sold separately
	2	Dome nut, chrome (2)	8060
	3	Washer (2)	6339
	4	Load limit label	Not sold separately
	5	Docking spacer (2)	12400167
	6	Socket head cap screw (2)	94355-91T
50300156	1	Rack, solo seat, black	Not sold separately
	2	Dome nut, chrome (2)	8060
	3	Washer (2)	6339
	4	Load limit label	Not sold separately
	5	Docking spacer (2)	12400167
	6	Socket head cap screw (2)	94355-91T