



INSTRUCTIONS

J00718


2022-10-17



FLHR WINDSHIELD KITS

GENERAL INFORMATION

Table 1. General Information

Kits	Suggested Tools	Skill Level ⁽¹⁾
57981-97, 57994-94, 57994-94A, 57995-96, 57995-96A, 57767-00, 58163-02, 58731-02, 58796-02, 57807-04, 57668-10, 57400380, 57400381, 57400383	Safety Glasses, Torque Wrench	

(1) Tightening to torque value or other moderate tools and techniques required

KIT CONTENTS

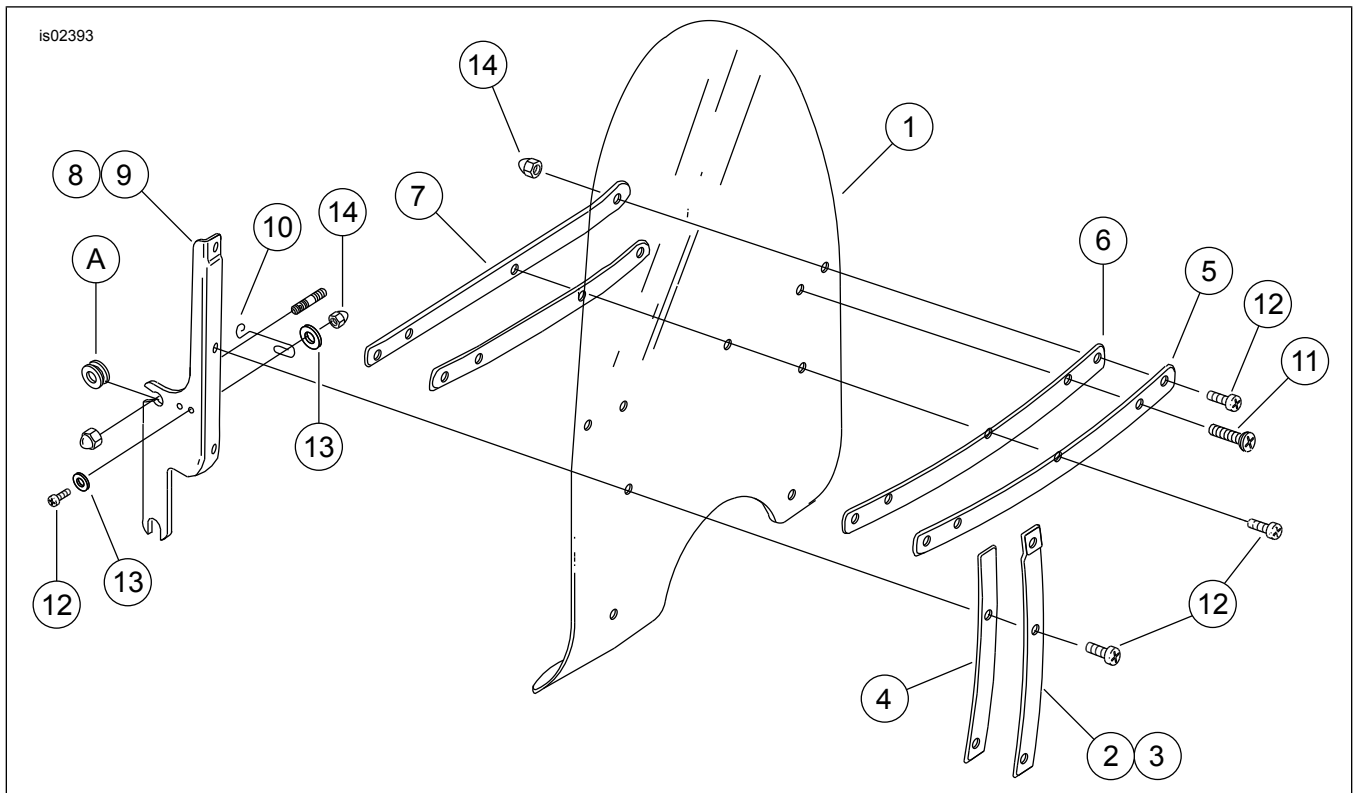


Figure 1. Kit Contents: Windshield (Typical)

Table 2. Kit Contents: Windshield Kits 57981-97, 57994-94, 57994-94A, 57995-96, 57995-96A, 57767-00, 57807-04, 57668-10

Verify that all contents are present in the kit before installing or removing items from vehicle.					
<input checked="" type="checkbox"/>	Item	Qty	Description	Part No.	Notes
<input type="checkbox"/>	1	1	Windshield, clear, 2 inches oversize	58433-96	
<input type="checkbox"/>			Windshield, clear, standard	58193-04	
<input type="checkbox"/>			Windshield, clear, 4 inches undersized	57768-00	
<input type="checkbox"/>			Windshield, clear with flames	57809-04	
<input type="checkbox"/>			Windshield, smoked, 4 inches undersized	58195-94	
<input type="checkbox"/>			Windshield, China	57400005	
<input type="checkbox"/>	2	1	Vertical brace, outer, right	58406-75A	
<input type="checkbox"/>	3	1	Vertical brace, outer, left	58408-75A	
<input type="checkbox"/>	4	2	Tape, outer vertical brace	58417-77	
<input type="checkbox"/>	5	1	Brace, outer horizontal	58428-94	
<input type="checkbox"/>	6	2	Tape, horizontal brace	58416-77A	
<input type="checkbox"/>	7	1	Brace, inner horizontal	58431-94	
<input type="checkbox"/>	8	1	Bracket, right	58084-94	
<input type="checkbox"/>	9	1	Bracket, left	58088-94	
<input type="checkbox"/>	10	2	Spring latch	38722-94	
<input type="checkbox"/>	11	2	Screw, panhead TORX	2452	
<input type="checkbox"/>	12	11	Screw, panhead TORX	2921A	
<input type="checkbox"/>	13	8	Washer, plain	6119	
<input type="checkbox"/>	14	13	Nut, acorn	7651	
Items mentioned in text, but not included in kit					
<input checked="" type="checkbox"/>	A		Original Equipment (OE) Rubber grommet		

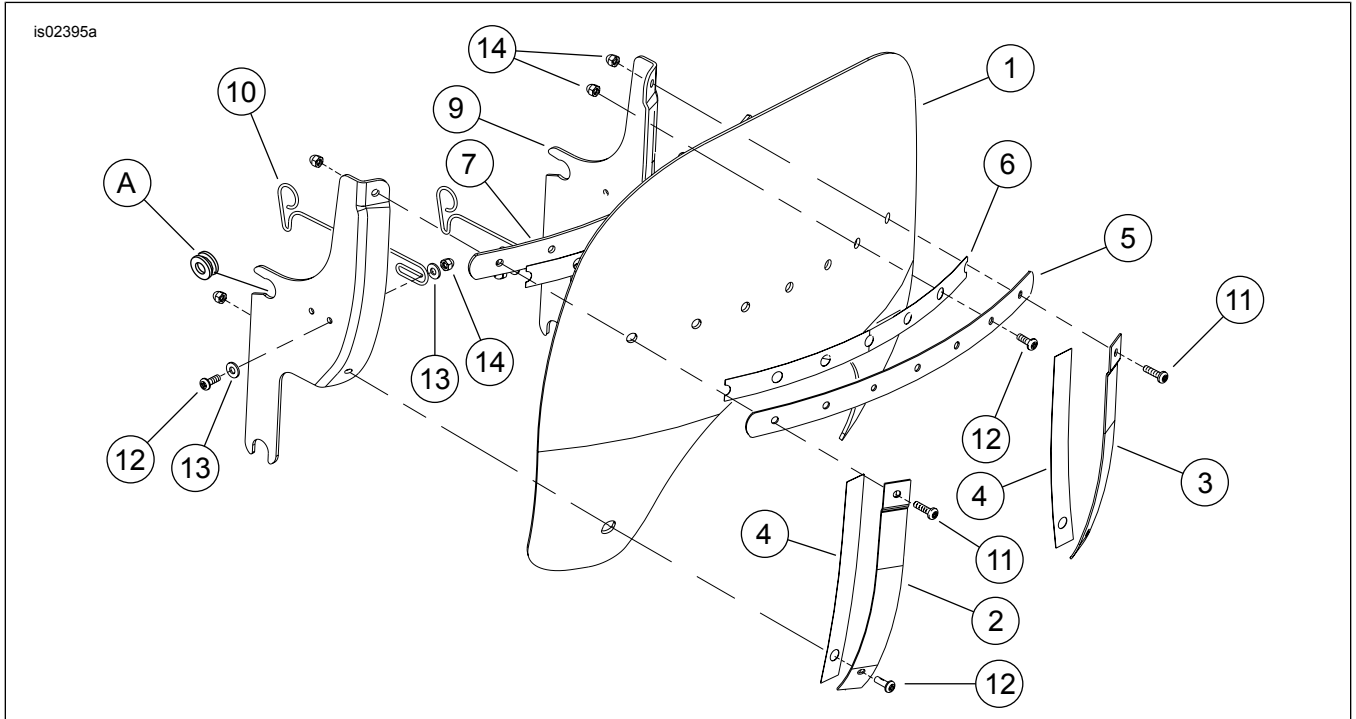


Figure 2. Kit Contents: Wind Deflector (Typical)

Table 3. Kit Contents: Wind Deflector Kits 58163-02, 58731-02, 58796-02

<input checked="" type="checkbox"/> Verify that all contents are present in the kit before installing or removing items from vehicle.					
<input type="checkbox"/>	Item	Qty	Description	Part No.	Notes
<input type="checkbox"/>	1	1	Wind deflector, smoked	58906-02	
<input type="checkbox"/>			Wind deflector, clear, international	58908-02	
<input type="checkbox"/>			Wind deflector, smoked, 3 inches oversized	58799-02	
<input type="checkbox"/>	2	1	Vertical brace, outer, right	58674-02	
<input type="checkbox"/>	3	1	Vertical brace, outer, left	58677-02	
<input type="checkbox"/>	4	2	Tape, outer vertical brace	58664-02	
<input type="checkbox"/>	5	1	Brace, outer horizontal	58476-02	
<input type="checkbox"/>	6	2	Tape, horizontal brace	58573-02	
<input type="checkbox"/>	7	1	Brace, inner horizontal	58462-02	
<input type="checkbox"/>	8	1	Bracket, right	58542-02	
<input type="checkbox"/>	9	1	Bracket, left	58543-02	
<input type="checkbox"/>	10	2	Spring latch	38722-94	
<input type="checkbox"/>	11	2	Screw, panhead TORX	2452	
<input type="checkbox"/>	12	11	Screw, panhead TORX	2921A	
<input type="checkbox"/>	13	8	Washer, plain	6119	
<input type="checkbox"/>	14	13	Nut, acorn	7651	
Items mentioned in text, but not included in kit					
<input checked="" type="checkbox"/>	A	2	OE Rubber grommet		

GENERAL

NOTE

This instruction sheet **may have a Supplemental Video** to assist installer in clarifying a certain part of the assembly. A linked video would be located at the end of this instruction sheet.

Models

For model fitment information, see the Parts and Accessories (P&A) Retail Catalog or the Parts and Accessories section of www.harley-davidson.com.

Verify that the most current version of the instruction sheet is used. It is available at: h-d.com/isheets

Contact Harley-Davidson Customer Support Center at 1-800-258-2464 (U.S. only) or 1-414-343-4056.

Installation Requirements

⚠ WARNING

Rider and passenger safety depend upon the correct installation of this kit. If the procedure is not within your capabilities or you do not have the correct tools, have a Harley-Davidson dealer perform the installation. Improper installation of this kit could result in death or serious injury. (00308b)

NOTICE

Do not use windshield bags with flamed windshields. Damage to graphics will occur. (00393f)

Table 4. Models

Kits	Contents
57981-97	Low profile smoked windshield
57767-00	Low profile clear windshield
57994-94	Standard height clear windshield
57994-94A	Standard height clear windshield
57995-96	Tall clear windshield
57995-96A	Tall clear windshield
58163-02	Road King wind deflector, dark, smoked

Table 4. Models

Kits	Contents
58731-02	Road King wind deflector, clear, international
58796-02	Road King wind deflector, dark smoked, 3 inches oversized
57807-04	Standard height clear windshield with flames
57668-10	Windshield, China
57400380	20" clear windshield with black braces
57400381	18" clear windshield with black braces
57400383	16" light tint windshield with black braces

INSTALL

1. Lower windshield into position by carefully inserting side brackets between headlamp housing and passing lamp supports until bottom notches are seated on lower grommets.
 - a. Be sure that the notches on each bracket are firmly seated on a rubber grommet.
2. Standing in front of vehicle, gently push top of windshield toward the rear until upper notches fully engage upper grommets.
3. Push down on wireform latch springs so that they overhang rubber grommets.
 - a. If some adjustment is necessary, loosen retaining bolts and rotate latch springs into proper position.

▲ WARNING

Improper installation of accessories or loading of cargo can affect motorcycle stability and handling, which could result in death or serious injury. (00455b)

▲ WARNING

Failure to provide adequate clearance between stationary and moving parts can cause loss of control, which could result in death or serious injury. (00378a)

NOTE

Inspect windshield upon completion of installation. Be sure windshield mounting does not restrict full left or full right movement of front fork assembly. If restriction does occur, adjust windshield as needed until proper clearance is obtained. Have experienced Harley-Davidson service personnel correct any problems before riding with this accessory installed.

NOTE

Check mounting hardware periodically. Never ride with loose mounts. A loose mounting causes extra stress on all other mounts, as well as the windshield itself, and could result in premature failure of components.

MAINTENANCE

Care and Cleaning

NOTE

Sunlight reflections off of the inside curvature of a windshield can, at certain times of the day, cause extreme heat build-up on motorcycle instruments. Exercise care in parking. Park facing the sun, place an opaque object over the instruments, or adjust the windshield to avoid reflections.

NOTICE

Polycarbonate windshields/wind deflectors require proper attention and care to maintain. Failure to maintain polycarbonate properly can result in damage to the windshield/wind deflector. (00483e)

NOTICE

Use only Harley-Davidson recommended products on Harley-Davidson windshields. Do not use harsh chemicals or rain sheeting products, which can cause windshield surface damage, such as dulling or hazing. (00231c)

Do not clean polycarbonate in hot sun or high temperature. Powdered, abrasive or alkaline cleanser will damage the windshield. Never scrape the windshield with a razor blade or other sharp instruments because permanent damage will result.

NOTE

Covering the windshield with a clean, wet cloth for about 15 minutes before washing will make dried bug removal easier.

Harley-Davidson Windshield Water Repellent Treatment Part Number 99841-01 is approved for use on Harley-Davidson polycarbonate windshields.