



INSTRUCTIONS

J04207

2020-01-14



FOOTPEG KIT

GENERAL

Kit Number

50211-04, 50500367, 50501800

Models

For model fitment information, see the P&A Retail Catalog or the Parts and Accessories section of www.harley-davidson.com (English only).

Installation Requirements

LOCTITE 243 MEDIUM STRENGTH THREADLOCKER AND SEALANT (BLUE) (99642-97) to install replacement wear tips.

⚠ WARNING

Rider and passenger safety depend upon the correct installation of this kit. If the procedure is not within your capabilities or you do not have the correct tools, have a Harley-Davidson dealer perform the installation. Improper installation of this kit could result in death or serious injury. (00308b)

Kit Contents

See Figure 2 and Table 1.

INSTALLATION

1. Remove the hardware fastening the stock footpeg to the motorcycle footpeg support. Save the hardware for installation.
2. Remove the stock footpeg and spring washer from the motorcycle footpeg support. Note the orientation of, and save, the spring washer for installation.

NOTE

See Figure 2. When installing the footpeg-support mount (1) on the motorcycle footpeg support, the rounded edge of the footpeg-support mount must be positioned upward.

When installing the spring washer, position the spring washer with the square edge toward the inside of the footpeg support.

3. Slide a **new** footpeg mount and stock spring washer into the footpeg support.
4. Install **new** footpeg mount in reverse order of stock footpeg mount removal.

NOTE

See Figure 2. When replacing the footpeg support mount (1), either replace the screw (4), or apply LOCTITE 243 MEDIUM STRENGTH THREADLOCKER AND SEALANT

(BLUE) (99642-97) to the threads on the removed screws before re-installing the screws.

- a. Vehicles with a nut and bolt on the footpeg support, tighten fastener. Tighten.
Torque: 26 N·m (19 ft-lbs)
5. Assemble footpeg (2) and footpeg pad (3) onto footpeg mount (1).
 6. Install the adjusting screw through the peg and into the mount.
 7. Rotate the footpeg assembly to the desired position.
 8. Tighten the adjusting screw. Tighten.
Torque: 29 N·m (21 ft-lbs)
 9. Repeat Steps 1 through 6 for the other footpeg.

⚠ WARNING

Footrests must fold up and toward rear of motorcycle if struck. Failure to set footrests to fold up and back could result in death or serious injury. (00366a)

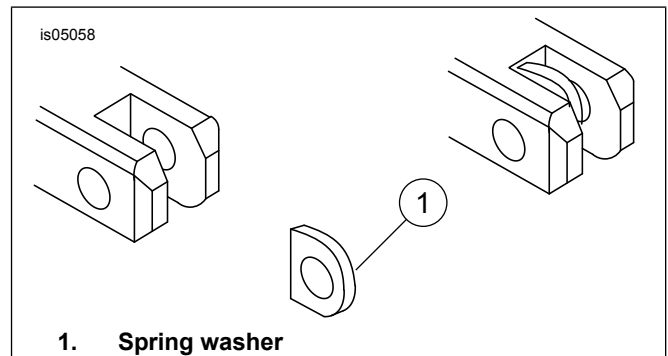


Figure 1. Footpeg Spring Washer Installation



Service Parts

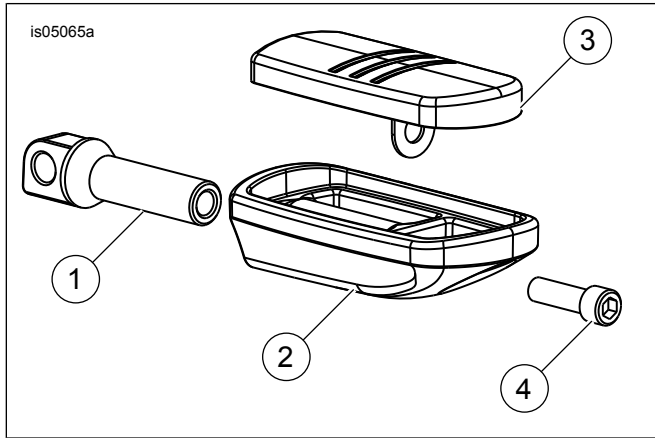


Figure 2. Service Parts: Footpeg Kit

Table 1. Service Parts Table

Item	Description (Quantity)	Part Number
1	Mount (2) (For Kit 50211-04)	50208-04
	Mount (2) (For kit 50501800)	
	Mount (2) (For kit 50500367)	Not Sold Separately
2	Support (2) (For Kit 50211-04)	50345-04
	Support (2) (For kit 50501800)	50500876
	Support (2) (For kit 50500367)	Not Sold Separately
3	Pad (2) (For Kit 50211-04)	50350-04
	Pad (2) (For kit 50501800)	
	Pad (2) (For kit 50500367)	Not Sold Separately
4	Screw, hex socket head (2)	2708A