



INSTRUCTIONS

J05044

2020-01-14



STREAMLINER PASSENGER FOOTBOARD KIT

GENERAL

Kit Number

50378-07B, 50501819

Models

For model fitment information, see the P&A Retail Catalog or Parts and Accessories section of www.harley-davidson.com (English only).

▲ WARNING

Rider and passenger safety depend upon the correct installation of this kit. If the procedure is not within your capabilities or you do not have the correct tools, have a Harley-Davidson dealer perform the installation. Improper installation of this kit could result in death or serious injury. (00308b)

Kit Contents

See Figure 2 and Table 1.

REMOVAL

1. See Figure 1. Remove existing passenger footpegs or footboards, brackets and mounting hardware.

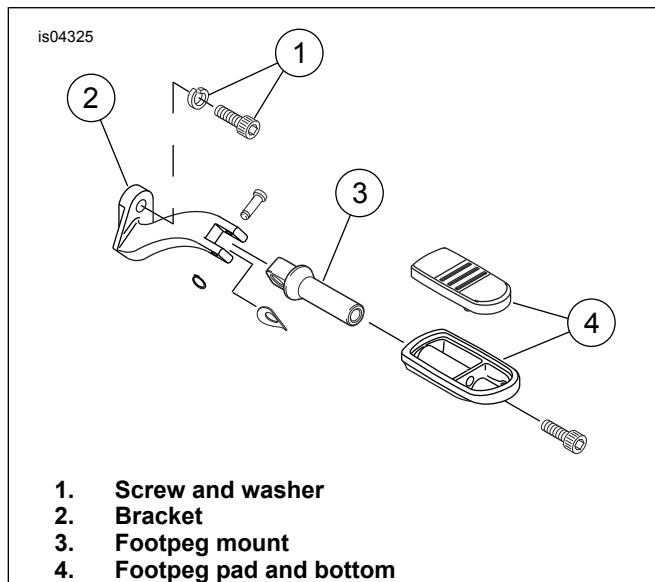


Figure 1. Passenger Footpeg Components (FLHX)

INSTALLATION

NOTE

- If necessary, remove any paint from counterbore holes of footboard brackets to ease the installation of the pivot pins.

- **On 2010 and Later Models:** The installation height can be adjusted to one of three positions. To install footboards in a new position, remove plastic plugs from holes in rear swingarm bracket as necessary.
- **On 2009 and Earlier Models:** The lowest of the four holes on the frame is not threaded and cannot be used to mount the footboards.

1. Figure 2 Insert shoulder bolt (9) or (10) through slot in footboard bracket (1). Tighten.
 - a. **2010 and Later Models:** Thread the 5/16 inch shoulder bolt (9) into the **lowest** hole in the rear swingarm bracket of the frame.
 - b. **2009 and Earlier Models:** Thread the 3/8 inch shoulder bolt (10) into the **second lowest** hole in the rear swingarm bracket of the frame.
2. At the desired height, install the upper screw (2) and lockwasher (3) through footboard bracket (1). Tighten.
Torque: 49–56 N·m (36–42 ft-lbs) *footboard bracket*
3. Install spring (4) into retaining hole in footboard bracket. Set the ball (5) on top of spring.
4. Position the detent in the bottom of the footboard pan (8 or 12) over ball in footboard bracket. Be sure not to unseat the ball. Press down on footboard pan so the holes of the footboard pan and footboard bracket align.
5. Insert pivot pins (7) through two mounting holes on footboard bracket and into footboard pan.
6. Align footboard insert (6 or 11) in footboard pan. Press insert firmly until the footboard pan tabs are firmly seated in the footboard insert.
7. Fold footboard up and install set screw (13) to secure footboard pad.
8. Pivot footboard assembly up and down to verify proper operation.
9. Repeat all steps for opposite side.



SERVICE PARTS

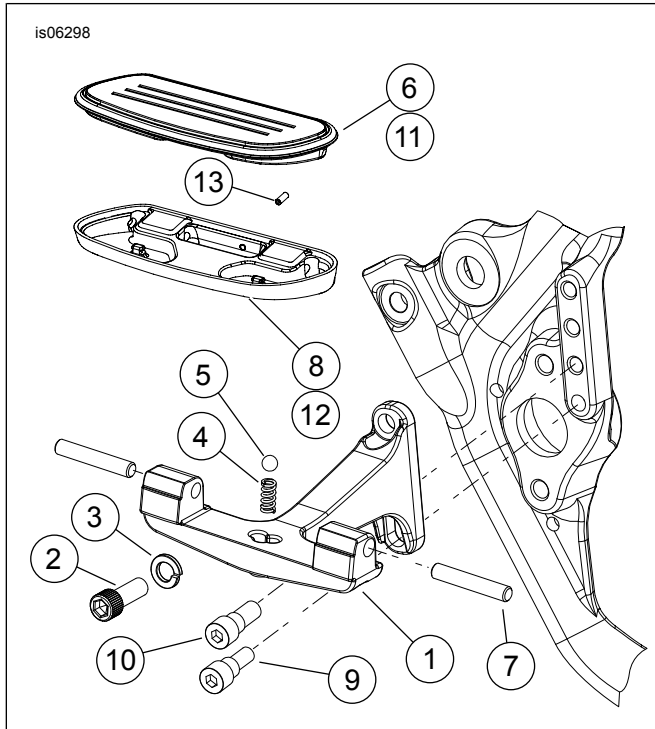


Figure 2. Service Parts: Streamliner Passenger Footboard

Table 1. Service Parts Table

Item	Description (Quantity)	Part Number
1	Footboard bracket (2)	53071-00A
	Footboard bracket (2), Kit 50501819	52719-10
2	Screw, socket head cap (2)	94354-91T
3	Lockwasher (2)	94082-90T
4	Spring (2)	33085-74
5	Ball (2)	8861
6	Footboard insert, left	50422-05
	Footboard insert, left, Kit 50501819	50501807
7	Pivot pin (4)	50933-86A
8	Footboard pan, left	50721-04
	Footboard pan, left, Kit 50501819	50501810
9	Shoulder bolt, 5/16 inch (2)	4916
10	Shoulder bolt, 3/8 inch (2)	5005
11	Footboard insert, right	50421-05
	Footboard insert, right, Kit 50501819	50501805
12	Footboard pan, right	50722-04
	Footboard pan, right, Kit 50501819	50501811
13	Set screw (2)	3341