



# INSTRUCTIONS

J06023

2023-01-10



## FLRT WINDSHIELD KITS

### GENERAL INFORMATION

Table 1. General Information

Kits	Suggested Tools	Skill Level <sup>(1)</sup>
57400273, 57400274, 57400630, 57400631	Safety Glasses	
<i>(1) Only simple tools and techniques required</i>		

### KIT CONTENTS

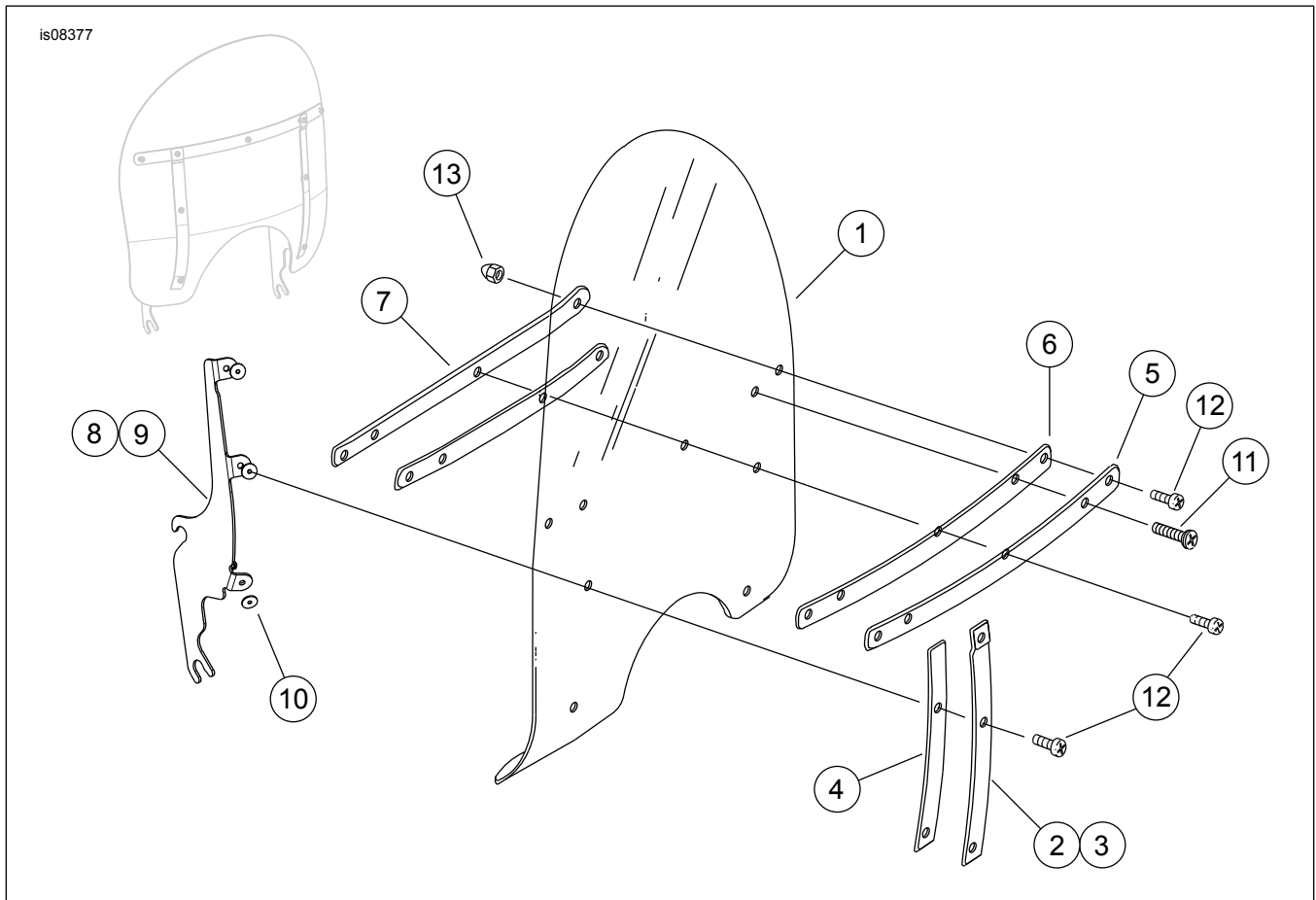


Figure 1. Kit Contents: Windshield (Typical)

**Table 2. Kit Contents: Windshield Kit**

<input checked="" type="checkbox"/>	Verify that all contents are present in the kit before installing or removing items from vehicle.				
<input type="checkbox"/>	Item	Qty	Description	Part No.	Notes
<input type="checkbox"/>	1	1	Windshield, 16 inch	57400277	
<input type="checkbox"/>			Windshield, 20 inch	57400278	
<input type="checkbox"/>	2	1	Outer vertical brace, right, stainless steel	58406-75A	
<input type="checkbox"/>			Outer vertical brace, right, black		57400655 service kit
<input type="checkbox"/>	3	1	Outer vertical brace, left, stainless steel	58408-75A	
<input type="checkbox"/>			Outer vertical brace, left, black		57400655 service kit
<input type="checkbox"/>	4	2	Tape, outer vertical brace, stainless steel	58417-77	
<input type="checkbox"/>			Tape, outer vertical brace, black		57400655 service kit
<input type="checkbox"/>	5	1	Outer horizontal brace, stainless steel	58428-94	
<input type="checkbox"/>			Outer horizontal brace, black		57400655 service kit
<input type="checkbox"/>	6	2	Tape, horizontal brace, stainless steel	58416-77A	
<input type="checkbox"/>			Tape, horizontal brace, black		57400655 service kit
<input type="checkbox"/>	7	1	Inner horizontal brace, stainless steel	58431-94	
<input type="checkbox"/>			Inner horizontal brace, black		57400655 service kit
<input type="checkbox"/>	8	1	Mounting brace, right, stainless steel	57400275	
<input type="checkbox"/>			Mounting brace, right, black		57400655 service kit
<input type="checkbox"/>	9	1	Mounting brace, left, stainless steel	57400276	
<input type="checkbox"/>			Mounting brace, right, black		57400655 service kit
<input type="checkbox"/>	10	6	Washer, windshield mounting	58416-776	
<input type="checkbox"/>	11	2	Screw, panhead, TORX	2452	
<input type="checkbox"/>	12	7	Screw, panhead, TORX	2921A	
<input type="checkbox"/>	13	9	Acorn nut	7651	

**GENERAL**

*NOTE*

*This instruction sheet may have a Supplemental Video to assist installer in clarifying a certain part of the assembly. A linked video would be located at the end of this instruction sheet.*

**Models**

For model fitment information, see the Parts and Accessories (P&A) Retail Catalog or the Parts and Accessories section of [www.harley-davidson.com](http://www.harley-davidson.com).

Verify that the most current version of the instruction sheet is used. It is available at: [h-d.com/isheets](http://h-d.com/isheets)

Contact Harley-Davidson Customer Support Center at 1-800-258-2464 (U.S. only) or 1-414-343-4056.

**Installation Requirements**

**⚠ WARNING**

**Rider and passenger safety depend upon the correct installation of this kit. If the procedure is not within your capabilities or you do not have the correct tools, have a Harley-Davidson dealer perform the installation. Improper installation of this kit could result in death or serious injury. (00308b)**

## INSTALL

### ▲ WARNING

**Improper installation of accessories or loading of cargo can affect motorcycle stability and handling, which could result in death or serious injury. (00455b)**

### ▲ WARNING

**Failure to provide adequate clearance between stationary and moving parts can cause loss of control, which could result in death or serious injury. (00378a)**

#### NOTE

*Inspect windshield upon completion of installation. Verify that windshield mounting does not restrict full left or full right movement of front fork assembly. If restriction does occur, adjust windshield as needed until proper clearance is obtained. Have experienced Harley-Davidson service personnel correct any problems before riding with this accessory installed.*

#### NOTE

*Check mounting hardware periodically. Never ride with loose mounts. A loose mounting causes extra stress on all other mounts, as well as the windshield itself. This causes premature failure of components.*

1. Lower windshield into position.
2. Carefully insert side brackets on lower grommets.
3. Verify that the notches on each bracket are firmly seated on a rubber grommet.
4. Gently push top of windshield toward rear until upper notches fully engage upper grommets.

## MAINTENANCE

### Care and Cleaning

#### NOTE

#### NOTICE

**Use only Harley-Davidson recommended products on Harley-Davidson windshields. Do not use harsh chemicals or rain sheeting products, which can cause windshield surface damage, such as dulling or hazing. (00231c)**

#### NOTICE

**Polycarbonate windshields/wind deflectors require proper attention and care to maintain. Failure to maintain polycarbonate properly can result in damage to the windshield/wind deflector. (00483e)**

- Do not use benzene, paint thinner, gasoline or any other type of harsh cleaner on the windscreen/windshield. Doing so damages the surface.
- Do not clean in hot sun or high temperature.
- Powdered, abrasive or alkaline cleanser damages the windshield. Never scrape the windshield with a razor blade or other sharp instruments. This causes permanent damage.

- Sunlight reflections off the inside curvature of a windshield can cause extreme heat build-up on motorcycle instruments. Exercise care in parking. Park facing the sun, place an opaque object over the instruments, or adjust the windshield to avoid reflections.

#### NOTE

*Covering the windshield with a clean, wet cloth for about 15 minutes before washing makes dried bug removal easier.*

*Harley-Davidson Windshield Water Repellent Treatment (Part No. 99841-01) is approved for use on Harley-Davidson polycarbonate windshields.*