



INSTRUCTIONS

J04732

2014-06-30



H-D DETACHABLES DYNA UPRIGHT KIT

GENERAL

Kit Number

51161-10A, 52300042A, 52300044A, 52300046A

Models

For model fitment information, see the P&A Retail Catalog or the Parts and Accessories section of www.harley-davidson.com (English only).

Installation Requirements

Separate purchase of extra parts or accessories may be required for proper installation of this H-D® Detachables™ Kit. See the P&A retail catalog or the Parts and Accessories section of www.harley-davidson.com (English only) for a list of required parts or accessories.

⚠ WARNING

Rider and passenger safety depend upon the correct installation of this kit. If the procedure is not within your capabilities or you do not have the correct tools, have a Harley-Davidson dealer perform the installation. Improper installation of this kit could result in death or serious injury. (00308b)

⚠ WARNING

After installing sissy bar/sideplate assembly, pull upward to be sure it is locked in position. While riding, a loose sissy bar/sideplate assembly can shift causing loss of control, which could result in death or serious injury. (00388a)

⚠ WARNING

Federal Motor Vehicle Safety Standard (FMVSS) 108 requires motorcycles to be equipped with rear and side reflectors. Be sure rear and side reflectors are properly mounted. Poor visibility of rider to other motorists can result in death or serious injury. (00336b)

Kit Contents

See Figure 3 and Table 1.

INSTALLATION

Install Docking Point Kit

Install the docking point kit following the instructions in that kit.

Passenger Upright Installation

1. See Figure 1. Stand behind the motorcycle, and place (10) the front upright notches (2) into the front docking points (3).

2. See Figure 2. Check for correct notch engagement.

NOTE

Failure to engage the sideplate notches to the docking points can damage to the docking points.

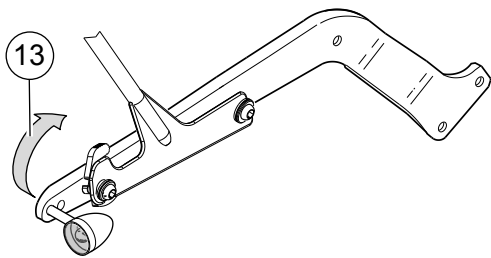
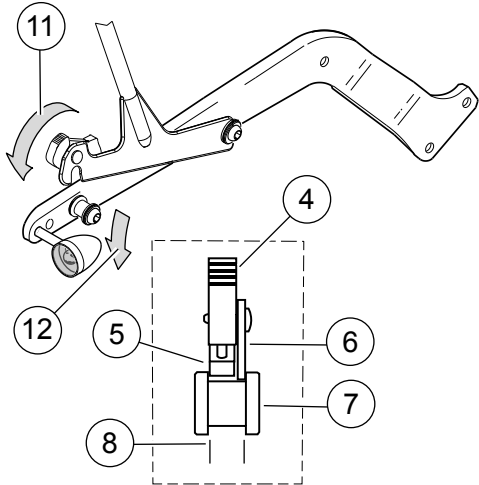
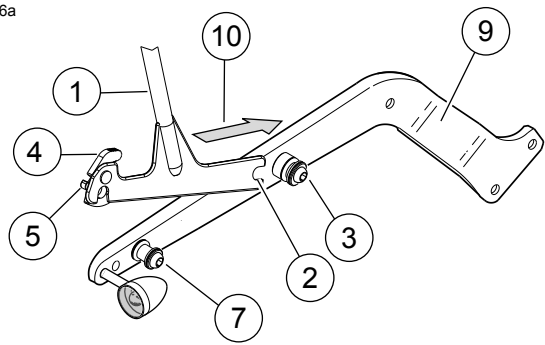
3. See Figure 1. Pull (11) the rotary latches (4) into a rearward position. Align the latches over the rear docking points (7). Make sure the latches and rear notches (6) fit into the neck (8) of the rear docking points.

NOTE

This may require some gentle squeezing or spreading of the upright sideplates.

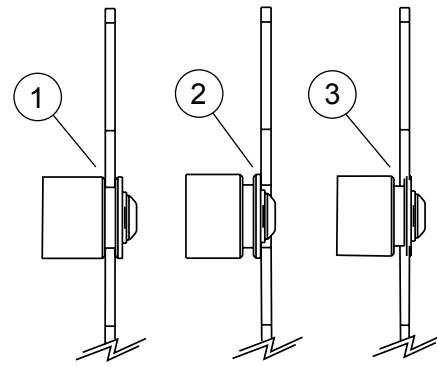
4. Push downward (12) on the side plates. Close the rotary latches by rotating the latch levers as far forward as they will go (13). A click is heard when the latch is in place. **If the latch does not close, do not force it.**





1. Upright
2. Front notch
3. Front docking point
4. Rotary latch
5. Release button
6. Rear notch
7. Rear docking point
8. Rear docking point neck
9. Fender support bracket
10. Place front notches into front docking points
11. Pull latches rearward
12. Lower rear notches onto rear docking points
13. Push forward to close latches

Figure 1. Detachable Upright



1. Correct
2. Incorrect
3. Incorrect

Figure 2. Upright Notch to Docking Point Engagement

5. See Figure 2. Check for correct notch engagement.
6. If rear side reflectors for this model motorcycle were included in the Docking Hardware Kit or Saddlebag Kit, remove the original equipment reflectors. Install the reflectors supplied with **that** kit.

REMOVAL

To remove the upright, press the release buttons. Pull the rotary latches rearward. Carefully lift the rear of the sideplates up. Pull the upright out of the front docking points.

SERVICE PARTS

is06120a

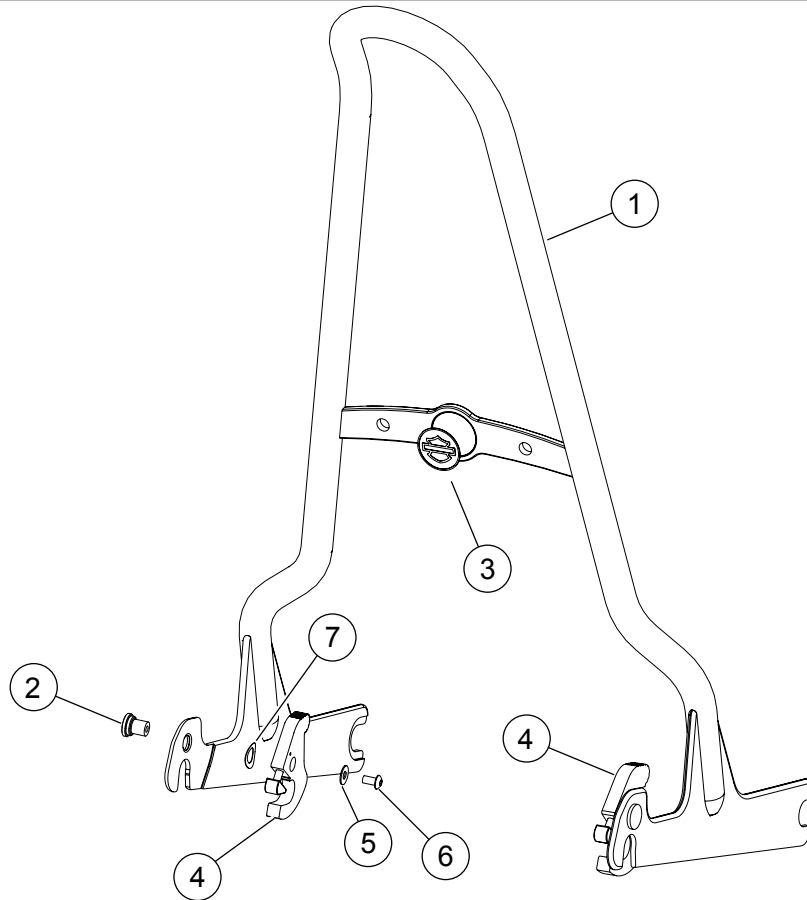


Figure 3. Service Parts: H-D Detachables Upright

Table 1. Service Parts

Item	Description (Quantity)	Part Number
1	Detachable upright	Not Sold Separately
2	Stud, pivot (2)	Not Sold Separately
3	Logo, Bar & Shield	13883-00
4	Latch assembly (2) (includes items 5-10)	50300108
5	Washer	6827
6	Screw	Not Sold Separately
7	Washer, wave (2)	6828
8	Compression spring (not shown)	53602-95