



INSTRUCTIONS

J05698

2013-04-26



SADDLEBAG HINGE COVER AND LEVER KIT

GENERAL

Kit Number

90200914

Models

For model fitment information, see the P&A Retail Catalog or the Parts and Accessories section of www.harley-davidson.com (English only).

Additional Parts Required

Certain international markets require amber reflectors. If your vehicle is equipped with amber reflectors, then separate purchase of reflectors (Part No. 67900066 and 67900068) is required.

⚠ WARNING

Rider and passenger safety depend upon the correct installation of this kit. If the procedure is not within your capabilities or you do not have the correct tools, have a Harley-Davidson dealer perform the installation. Improper installation of this kit could result in death or serious injury. (00308b)

Kit Contents

See Figure 2 and Table 1.

REMOVAL

1. See Figure 1. Remove tether screws (3) to access faceplate mounting screws (6). Save screws for installation.
2. Hold faceplate and remove screws (6) and faceplate. Discard screws and faceplate.
3. Remove the screw (5), quad seal (1) and lever (2). Discard screw, quad seal and lever.

INSTALLATION

⚠ WARNING

Federal Motor Vehicle Safety Standard (FMVSS) 108 requires motorcycles to be equipped with rear and side reflectors. Be sure rear and side reflectors are properly mounted. Poor visibility of rider to other motorists can result in death or serious injury. (00336b)

1. See Figure 2. Clean reflector mounting surface in faceplate (4) with an equal mixture of water and isopropyl alcohol. Allow to dry thoroughly.
2. Remove the adhesive backing from the reflector (2). Install the reflector in the faceplate.

NOTE

Faceplate mounting screws (7) are easily cross-threaded. Use care when installing.

3. Install the faceplate assembly with screws (7). Tighten to 4.5–5.1 N·m (40–45 in-lbs).
4. Verify the quad seal (9) is fully seated on lever shaft prior to installation. Install lever (6) in saddlebag lid, matching the keyed end of the lever shaft to the pocket in saddlebag lid. Do not pinch or damage quad seal.
5. Install screw (8) and tighten to 4.5–5.1 N·m (40–45 in-lbs)
6. Install tether screws. Tighten screws to 4.5–5.1 N·m (40–45 in-lbs).
7. Repeat all steps for the other saddlebag.

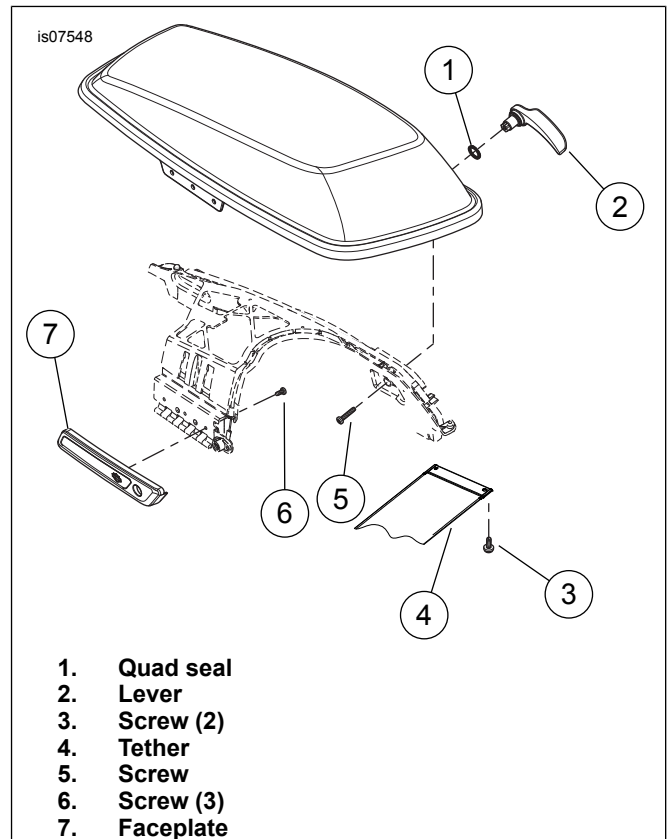


Figure 1. Hinge Cover and Lever Kit



SERVICE PARTS

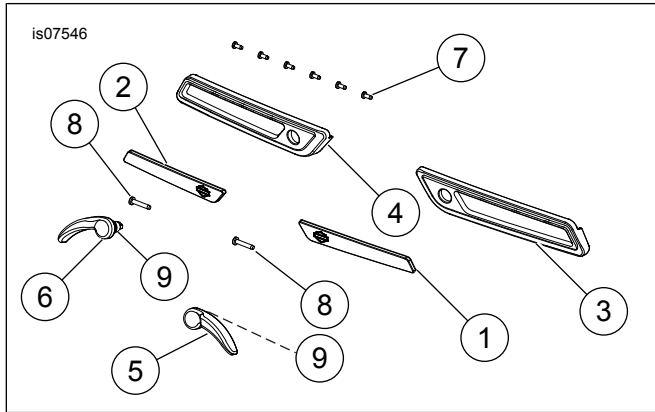


Figure 2. Service Parts: Hinge Cover and Lever Kit

Table 1. Service Parts Table

Item	Description (Quantity)	Part Number
1	Reflector, red, left	67900065
2	Reflector, red, right	67900067
3	Faceplate, left	90200983DH
4	Faceplate, right	90200984DH
5	Lever assembly, left*	Not Sold Separately
6	Lever assembly, right*	Not Sold Separately
7	Screw (6)	10200062
8	Screw (2)	10200064
9	Quad seal (2)	Not Sold Separately

* Lever Kit (Part No. 90201052) is available for separate purchase. Kit includes items 5, 6, 8 and 9.