



INSTRUCTIONS

94100040


2023-01-23



CAMSHAFT SPROCKET COVER INSERTS

GENERAL INFORMATION

Table 1. General Information

Kits	Suggested Tools	Skill Level ⁽¹⁾
14101385, 14101386, 14101557, 14101615	Safety Glasses, isopropyl alcohol, grease pencil	 1 Dark wrench
<i>(1) Only simple tools and techniques required</i>		

KIT CONTENTS

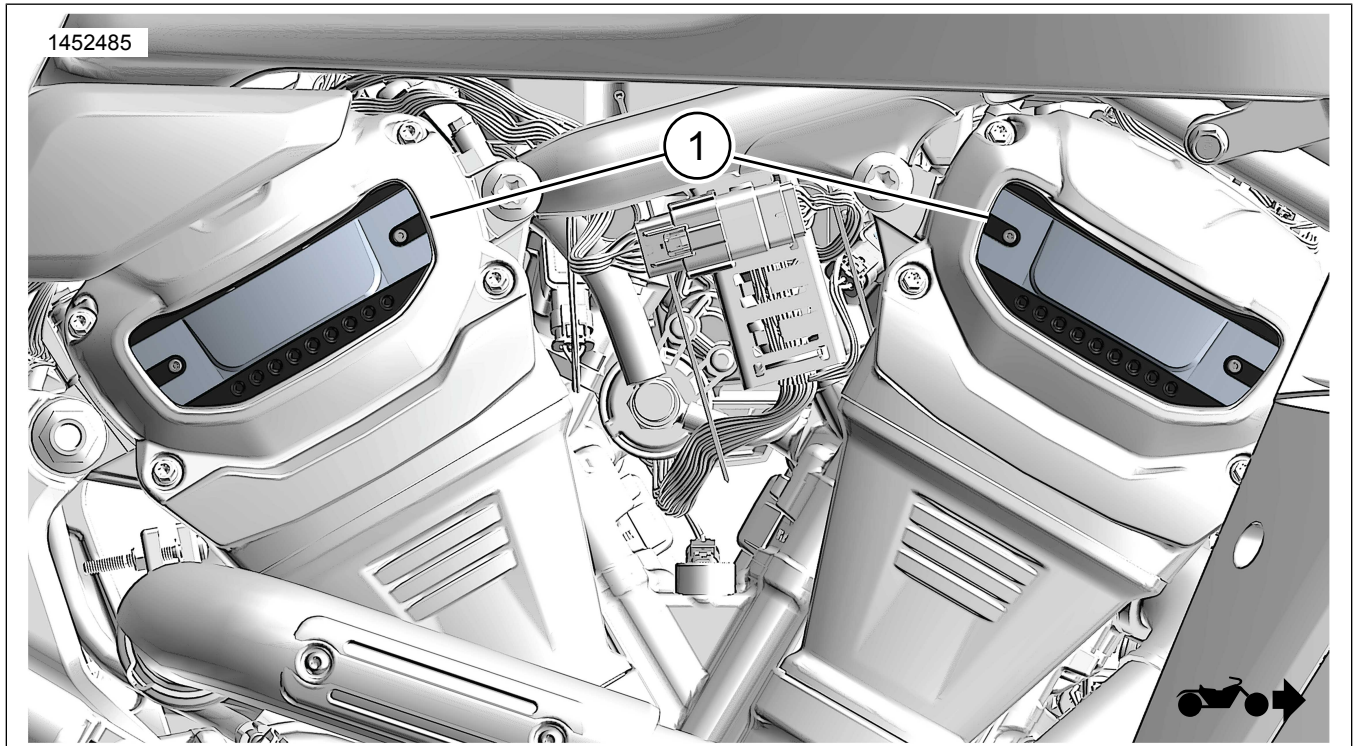


Figure 1. Kit Contents: Camshaft Sprocket Cover Insert Kit

Table 2. Kit Contents: Camshaft Sprocket Cover Insert Kit

Verify that all contents are present in the kit before installing or removing items from vehicle.					
<input checked="" type="checkbox"/>	Item	Qty	Description	Part No.	Notes
<input type="checkbox"/>	1	2	Camshaft sprocket cover insert	Not Sold Separately	
			Camshaft sprocket cover insert, gray with highlights	Not Sold Separately	
			Camshaft sprocket cover insert, black with orange	Not Sold Separately	
			Camshaft sprocket cover insert, black machined	Not Sold Separately	

GENERAL

Models

For model fitment information, see the Parts and Accessories (P&A) Retail Catalog or the Parts and Accessories section of www.harley-davidson.com.

Verify that the most current version of the instruction sheet is used. It is available at: h-d.com/isheets

Contact Harley-Davidson Customer Support Center at 1-800-258-2464 (U.S. only) or 1-414-343-4056.

Installation Requirements

⚠ WARNING

Rider and passenger safety depend upon the correct installation of this kit. If the procedure is not within your capabilities or you do not have the correct tools, have a Harley-Davidson dealer perform the installation. Improper installation of this kit could result in death or serious injury. (00308b)

REMOVE

NOTE

Careful not to scratch paint or surface.

1. Remove Original Equipment (OE) camshaft sprocket cover inserts using plastic pry tool or fishing line.

INSTALL

NOTE

- *Ambient temperature during camshaft sprocket cover inserts installation must be at least 68° F (20° C).*
- *Camshaft sprocket cover inserts installation at temperatures below 68° F (20° C) will cause failure of the adhesive bond.*
- *Do not sand or scuff surface where camshaft sprocket cover inserts are to be installed.*
- *After applying camshaft sprocket cover inserts, allow a minimum of 24 hours before exposing the area to vigorous washing, strong water spray or extreme weather.*

1. Clean area with isopropyl alcohol. Dry with a lint free cloth.
2. Test fit new camshaft sprocket cover insert (1).
3. Use a grease pencil to mark location.
4. Remove adhesive backing from camshaft sprocket cover insert (1).
5. Figure 1 Install camshaft sprocket cover insert (1) using marks made earlier as a guide.
6. Press firmly in place with steady pressure for one minute.
7. Repeat steps for other cover.

MAINTENANCE

Kits 14101386 and 14101557 contain exposed aluminum. Protect exposed aluminum with Harley-Davidson Protective Wipes (93600063), which reduces corrosion.