



INSTRUCTIONS

J04294

2006-12-07



CHROME SEAT POST

GENERAL

Kit Number

48875-07

Models

For model fitment information, please see the P&A Retail Catalog or the Parts and Accessories section of www.harley-davidson.com (English only).

▲ WARNING

Rider and passenger safety depend upon the correct installation of this kit. If the procedure is not within your capabilities or you do not have the correct tools, have a Harley-Davidson dealer perform the installation. Improper installation of this kit could result in death or serious injury. (00308b)

Kit Contents

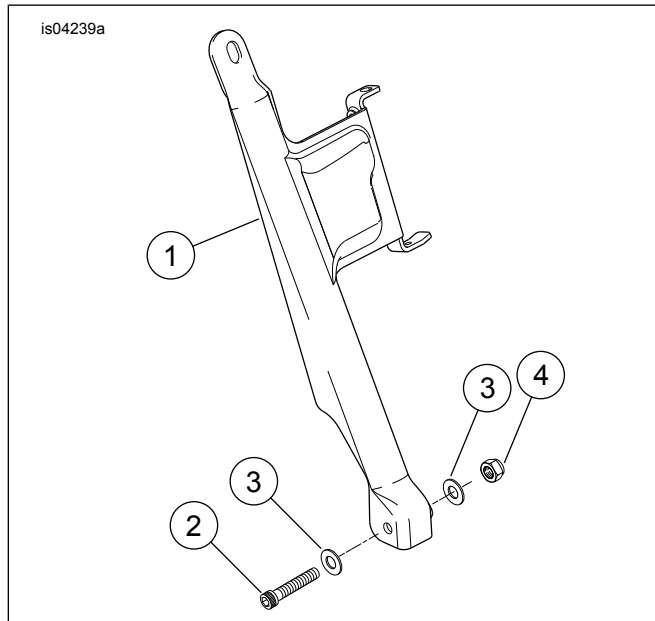


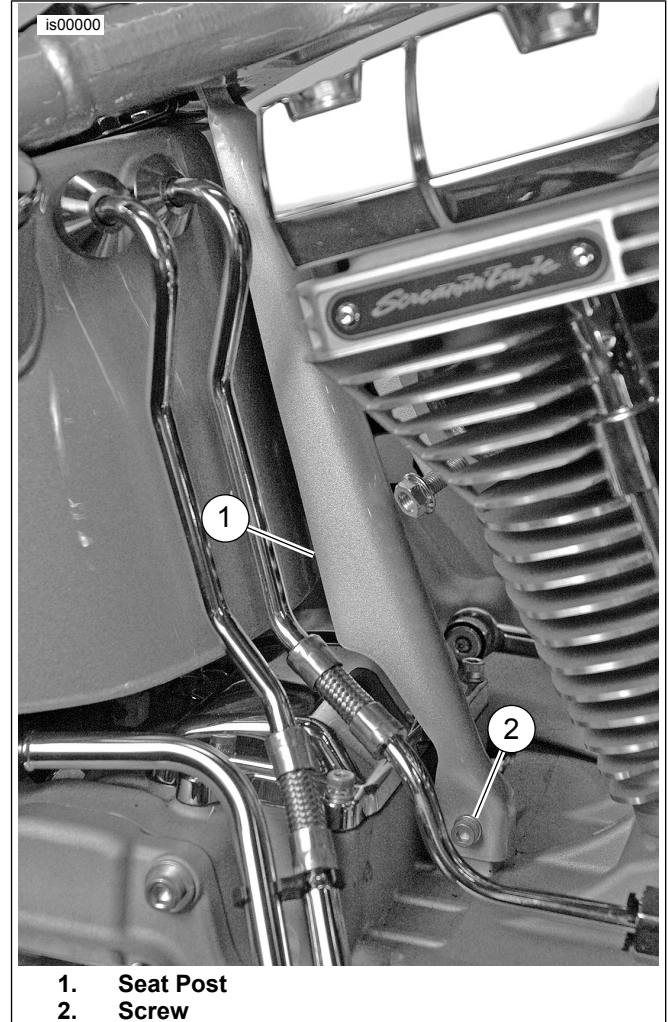
Figure 1. Chrome Seat Post

Table 1. Kit Contents

Item	Description (Quantity)	Part Number
1	Seat post, chrome	Not Sold Separately
2	Screw, hex socket head cap	Not Sold Separately
3	Washer, flat, chrome (2)	Not Sold Separately
4	Nut, dome, 1/4-20	Not Sold Separately

There are no Service Parts available with this kit.

REMOVE



1. Seat Post
2. Screw

Figure 2. Lower Seat Post

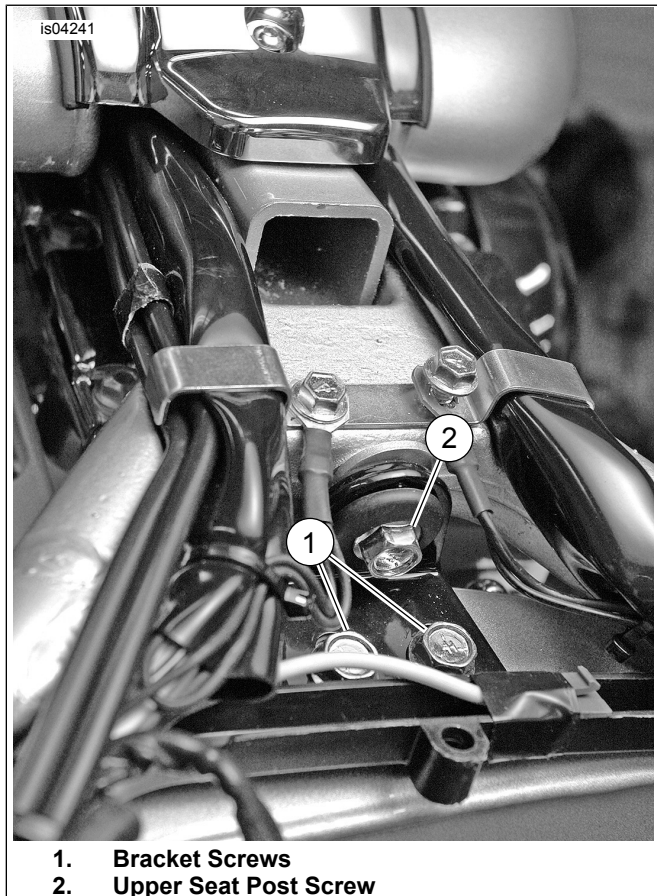
1. Refer to Owners Manual to remove the seat.

▲ WARNING

To prevent accidental vehicle start-up, which could cause death or serious injury, disconnect negative (-) battery cable before proceeding. (00048a)

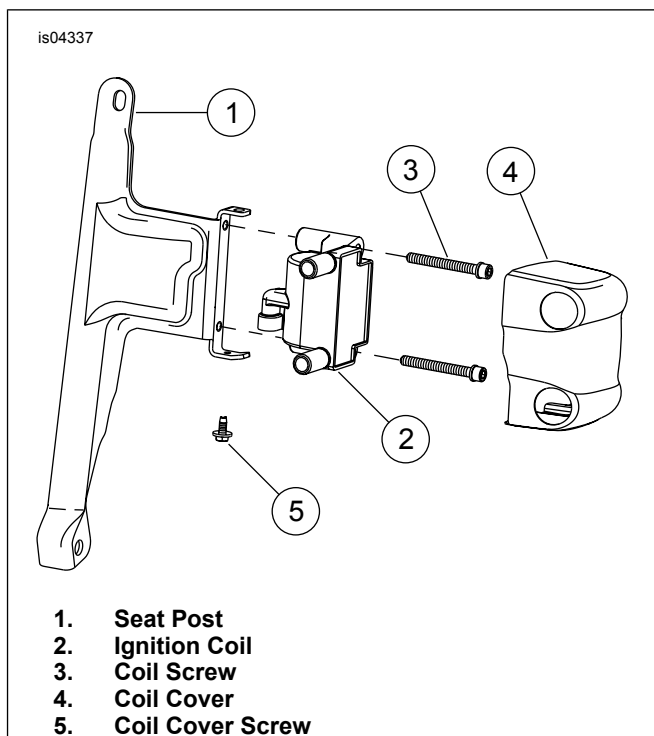
2. Disconnect battery negative cable.
3. On motorcycles equipped with oxygen sensors, disconnect the rear sensor connector.
4. See Figure 2. Remove screw (2) and washer from the lower seat post (1) and discard.

5. Disconnect spark plug wires and primary wire from ignition coil.
6. See Figure 3. Loosen the bracket screws (1). Remove seat post screw (2) and seat post with ignition coil and cover.
7. See Figure 4. Remove coil cover screw (5) and cover (4) from stock seat post (1).
8. Remove ignition coil screws (3) and coil (2) from seat post.



1. Bracket Screws
2. Upper Seat Post Screw

Figure 3. Upper Seat Post Fasteners



1. Seat Post
2. Ignition Coil
3. Coil Screw
4. Coil Cover
5. Coil Cover Screw

Figure 4. Install Ignition Coil to Seat Post

INSTALL

1. See Figure 4. Install ignition coil (2) to new seat post using screws (3). Tighten ignition coil screws to 13.6–20.3 N·m (10–15 ft-lbs).
2. Install coil cover (4) to seat post with screw (5) and tighten to 3.4–4.5 N·m (30–40 in-lbs).
3. See Figure 1. Place seat post (1) in position and attach lower post with screw (2), washers (3) and dome nut (4). Tighten screw (2) to 13.6–20.3 N·m (10–15 ft-lbs).
4. See Figure 3. Attach upper seat post with screw (2). Tighten screw (2) to 16.2–20.3 N·m (12–15 ft-lbs). Tighten bracket screws (1) to 16.2–20.3 N·m (12–15 ft-lbs).
5. Connect primary wire to ignition coil.
6. Connect spark plug wires to ignition coil. The rear cylinder plug wire attaches to the top coil post. Ensure that spark plug wire boots are fastened securely.
7. Connect rear oxygen sensor connector, if equipped.
8. Reconnect battery negative cable.

▲ WARNING

After installing seat, pull upward on seat to be sure it is locked in position. While riding, a loose seat can shift causing loss of control, which could result in death or serious injury. (00070b)

9. Refer to Owners Manual and reinstall seat.