



# INSTRUCTIONS

J03731

2014-09-26



## CHROME/BLACK FRONT BRAKE FLUID RESERVOIR COVER KITS

### GENERAL

#### Kit Number

45030-03D, 45078-96D

#### Models

**Kits 45030-03D (black) and 45078-96D (chrome)** are installed on the front brake master cylinder on all 1996 to 2004 Touring, 1996 to 2003 XL, 1996-2005 Dyna, 1996-2005 Softail, and 2002-2005 VRSC model motorcycles.

#### ⚠ WARNING

Rider and passenger safety depend upon the correct installation of this kit. If the procedure is not within your capabilities or you do not have the correct tools, have a Harley-Davidson dealer perform the installation. Improper installation of this kit could result in death or serious injury. (00308b)

#### Kit Contents

See Figure 1 and Table 1.

### INSTALLATION

#### NOTICE

**Do not allow dirt or debris to enter the master cylinder reservoir. Dirt or debris in the reservoir can cause improper operation and equipment damage. (00205c)**

1. Clean front master cylinder cover. Remove two screws that hold the cover in place. Remove cover assembly.
2. See Figure 1 . Replace the original cover assembly with new cover assembly (2 or 4).

#### NOTE

*The cover is labeled for DOT 5 silicone brake fluid. Install this cover on reservoirs filled only with DOT 5 silicone brake fluid. Do not mix grades of brake fluid as they are not compatible and could cause equipment damage.*

3. Put new cover and gasket in position.
4. Install new cover screws. **Black Cover screws:** Tighten the two screws evenly and securely to 0.7–0.9 N·m (6–8 in-lbs). **Chrome Cover screws:** Tighten the two screws evenly and securely to 1.3–1.7 N·m (12–15 in-lbs).

### SERVICE PARTS

See Figure 1 and Table 1.

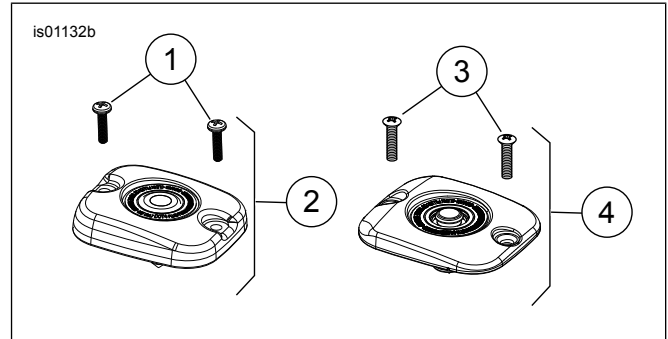


Figure 1. Service Parts: Master Cylinder Cover Kits

Table 1. Service Parts Table

Kit	Item	Description (Quantity)	Part Number
Kit 45030-03D Black master cylinder cover kit	1	Screw, black (2)	2590
	2	Cover, reservoir assembly	Not Sold Separately
Kit 45078-96D Chrome master cylinder cover kit	3	Screw, chrome (2)	2573
	4	Cover, reservoir assembly	Not Sold Separately