



INSTRUCTIONS

J06265

2020-07-10



SPECTRA GLO LED R/G/B LIGHT POD EXPANSION KIT

Kit Numbers

68000214

Models

For model fitment information, see the P&A retail catalog or the Parts and Accessories section of www.harley-davidson.com (English only).

Installation Requirements

Separate purchase of LED Controller Kit (part number 68000218), if not already installed.

⚠ WARNING

Rider and passenger safety depend upon the correct installation of this kit. If the procedure is not within your capabilities or you do not have the correct tools, have a Harley-Davidson dealer perform the installation. Improper installation of this kit could result in death or serious injury. (00308b)

Spectra Glo light pods are designed and intended for display use only. Some local regulations prohibit using colored or indirect lighting during vehicle operation on public streets. Check local regulations before installation.

Electrical Overload

NOTICE

It is possible to overload the vehicle's charging system by adding too many electrical accessories. If the combined electrical accessories operating at any one time consume more electrical current than the vehicle's charging system can produce, the electrical consumption can discharge the battery and cause damage to the vehicle's electrical system. (00211d)

⚠ WARNING

When installing any electrical accessory, be certain not to exceed the maximum amperage rating of the fuse or circuit breaker protecting the affected circuit being modified. Exceeding the maximum amperage can lead to electrical failures, which could result in death or serious injury. (00310a)

Kit Contents

Figure 2 and Table 1.

INSTALLATION

NOTE

Clean the areas where the light pods will be mounted with soap and water before beginning the installation, and allow to dry

thoroughly. Remove debris, dirt and grime from the vehicle areas to be highlighted.

*Ambient temperature should be **at least** 10 °C (50.0 °F) for proper adhesion of the light pods and controller box to vehicle surfaces.*

Do not mount light pods closer than 63.5 mm (2½ in) from exhaust pipes or mufflers, and must have 38.1 mm (1½ in) clearance from engine cylinders and heads.

Do not install light pods with the light source facing directly away from the vehicle. Install light pods in a way that allows the light to be seen indirectly by reflecting from chrome or painted surfaces of the vehicle.

Do not make excessive or 90° right angel bends. This could damage the light pod.

The Spectra Glo RGB kits can be connected together in a variety of ways. Some examples are daisy chain, Tee, and Y. An open end of a harness or light POD should always have a end cap installed. See the Spectra Glo Load Calculation Information section for more.

Spectra Glo light pods can be installed in a variety of locations. They can be installed on a flat surface or curved surface. These pod lights provide indirect lighting illuminating mechanical features, vehicle finish or for ground effects.

Motorcycles with a main fuse

1. See service manual. Remove main fuse.

Motorcycles without a main fuse

⚠ WARNING

Disconnect negative (-) battery cable first. If positive (+) cable should contact ground with negative (-) cable connected, the resulting sparks can cause a battery explosion, which could result in death or serious injury. (00049a)

1. See service manual. Follow the instructions given to disconnect the battery cables, negative (-) cable first.

NOTE

*For 2004 and later XL (Sportster®) models, the negative battery cable is most easily disconnected **at the engine crankcase.***

1. If Controller Kit (part number 68000218) is not installed, install now following instructions in that kit.
2. Figure 2 Assemble (dry fit) light pods (1) and harnesses (3 and 5) in desired configuration.



3. Install an end cap at the end of each of light pod.
4. For mounting the pods, use a 50-70% mixture of isopropyl alcohol to clean the desired areas of the vehicle.

5. **NOTE**

Use caution when aligning the light pod to the vehicle. Adhesive is one time use only. Removing the light pod will damage the adhesive.

- b. Remove liner from adhesive backing (2, 3) of light pod (5) and connector ends (4, 6).
- c. Carefully position the light pod on vehicle surface.
- d. Press firmly into place.
- e. Hold light pod in position with steady pressure for a few seconds.
- f. Repeat for the remaining light pods.

Figure 1 Install light pods.

- a. Connect wire harness (1) to light pod (5). Install double-sided tape (2) on harness connector (6).

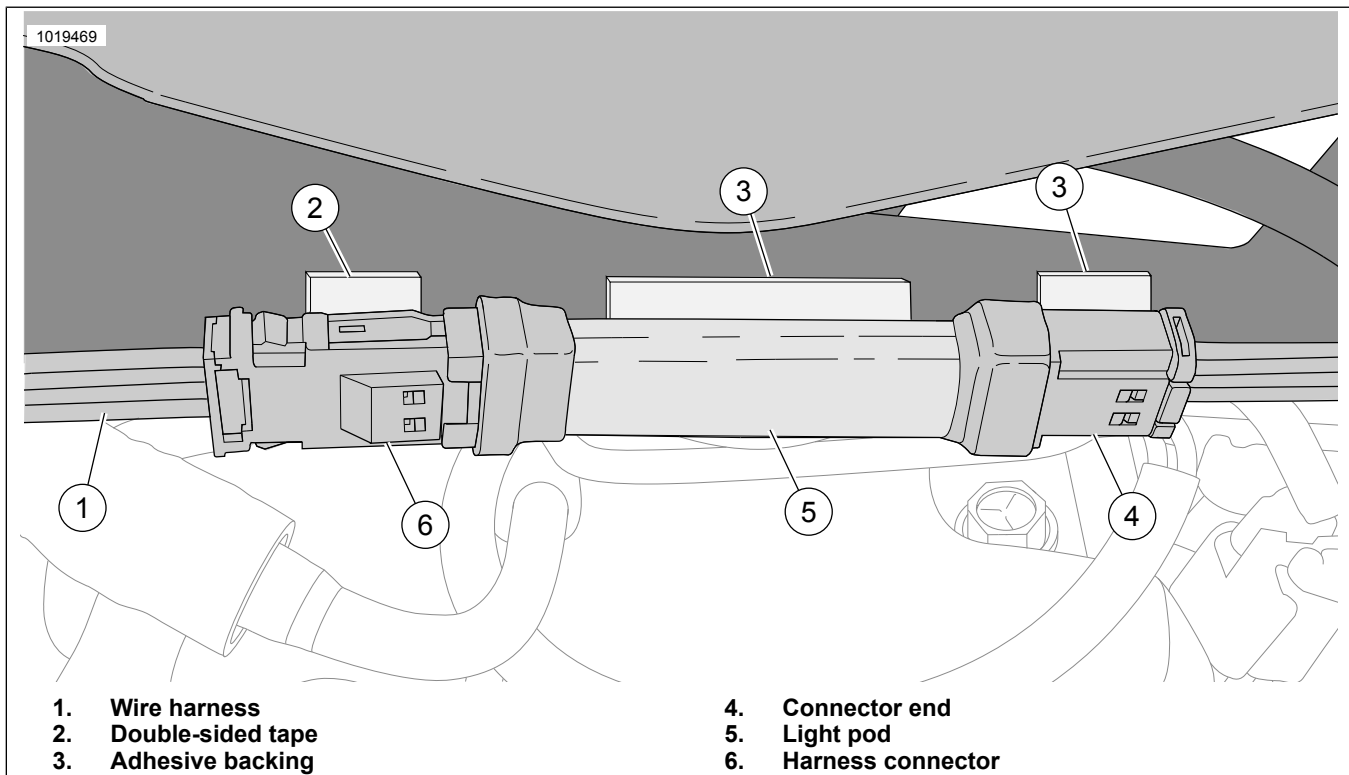


Figure 1.

6. Bundle the harnesses from the controller and light pods. Secure the harnesses with cable straps.

The adhesive bond will increase to maximum strength after about 72 hours at normal room temperature.

See Isheet J06266, Spectra Glo Controller and Remote FOB, for installing multiple RGB products.

NOTE

Allow AT LEAST 24 hours after installing the controller box and light pods before exposing the mounting areas to vigorous washing, strong water spray or extreme weather.

SERVICE PARTS

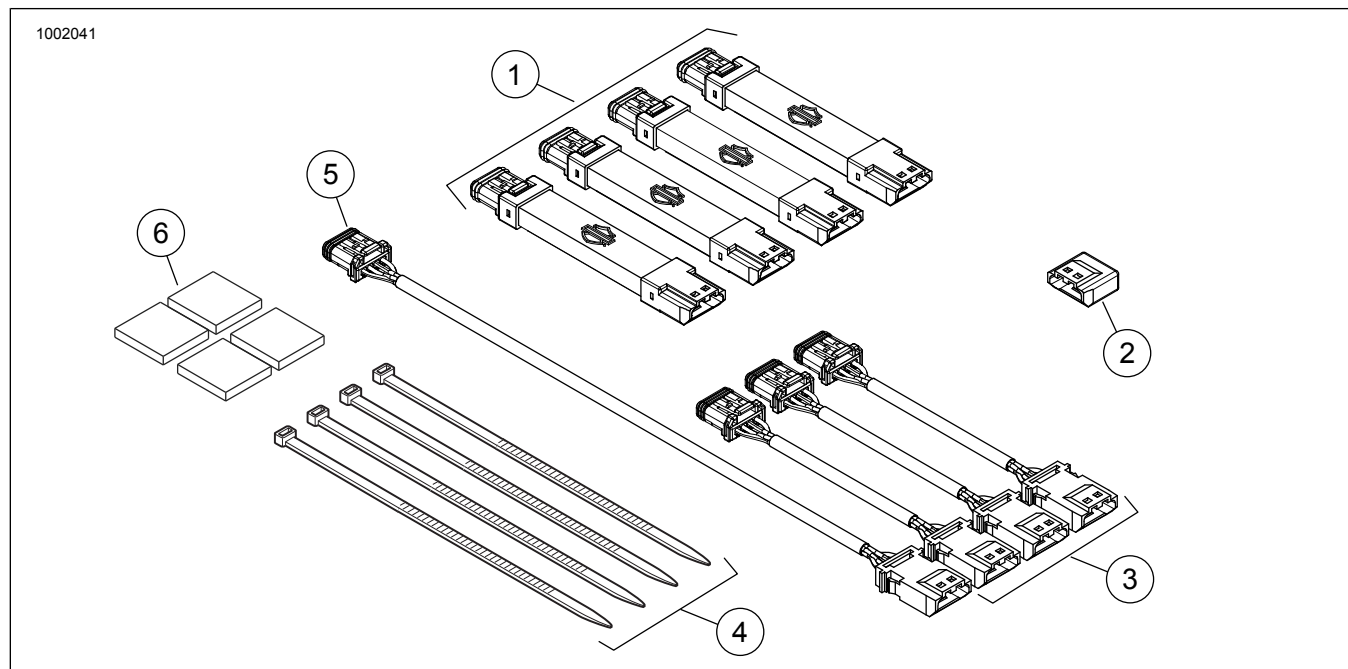


Figure 2. Service Parts, Spectra Glo Light Pod Kits

SERVICE PARTS

Table 1. Service Parts Table

Kit	Item	Description (Quantity)	Part Number
68000213	1	Light pod, LED, R/G/B, (4)	68000212 *
	2	End cap	69201597
	3	Wire extension harness, 3 in (3)	69201525 *
	4	Cable strap (4)	10006
	5	Wire extension harness, 8 in	69201529
	6	VHB Double sided tape (4)	68000212-_09

*Part is sold separately as a quantity of one, not the quantity that comes in the kit.

SPECTRA GLO LOAD CALCULATION INFORMATION

The Spectra Glo system is limited to 3000 mA. Use the following table to determine the total current draw of the desired

configuration. Calculate the total current draw by multiplying the number of kit(s) (each line) by the provided current draw. Sum all totals. The value should be less than or equal to 3000 mA. The following example describes how to calculate total system load.

Table 2. Calculator Example of Spectra Glo Kits

Kit Name	Kit Part Number	Number of Kits	Current mA	Total
Rider Footboards	50500492	1	500	500
Passenger Footboards	50500495	1	350	350
Fairing Vent	68000194		275	
Speaker Lights (Stage I)	68000232		125	
Speaker Lights (Stage II Round)	68000231	1	125	125
Speaker Lights (Stage II Saddle Bag)	68000233		125	
Base Light Pods (6)	68000213	2	450	900
Expansion Light Pods (4)	68000214	1	300	300
			System Total =	2175

* System Total must be 3000 mA or less.

Table 3. Spectra Glo RGB Accessory Calculator

Kit Name	Kit Part Number	Number of Kits	Current mA	Total
Rider Footboards	50500492		500	
Passenger Footboards	50500495		350	
Fairing Vent	68000194		275	
Speaker Lights (Stage I)	68000232		125	
Speaker Lights (Stage II Round)	68000231		125	
Speaker Lights (Stage II Saddle Bag)	68000233		125	

Table 3. Spectra Glo RGB Accessory Calculator

Kit Name	Kit Part Number	Number of Kits	Current mA	Total
Base Light Pods (6)	68000213		450	
Expansion Light Pods (4)	68000214		300	
* System Total must be 3000 mA or less.			System Total =	

Table 4. Spectra Glo RGB Accessories

Accessories	Part Number
Remote	68000217
JAE Cap	69201597
Y Harness (3-way)	69201594
3-in Jumper Harness	69201525
8-in Jumper Harness	69201529
24-in Jumper Harness	69201530
24-in Jumper w/grommet	69201595
48-in Jumper Harness	69201625